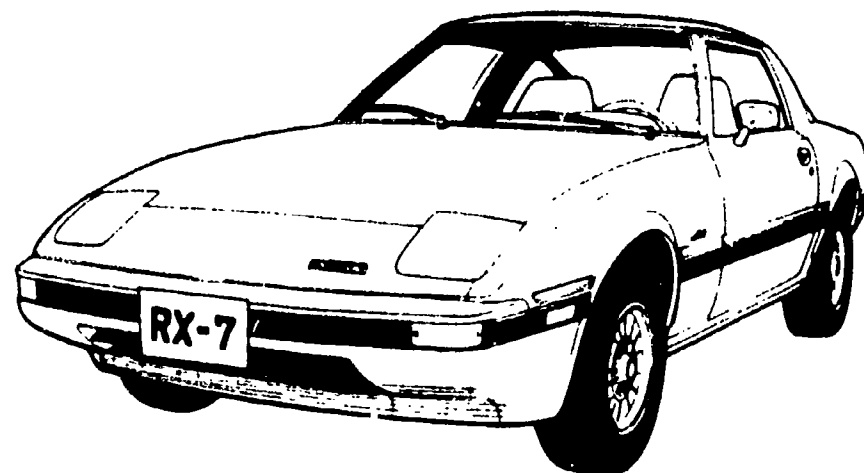


# Parts Catalog

Mazda RX-7  
U.S.A.  
( '81-'83 )


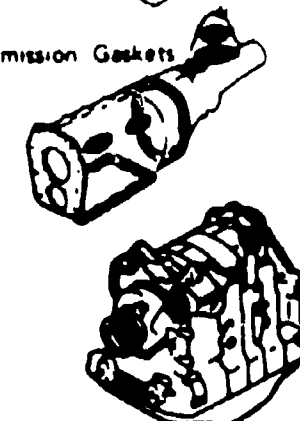
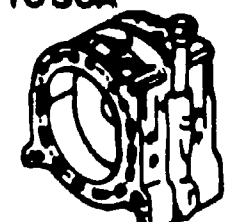

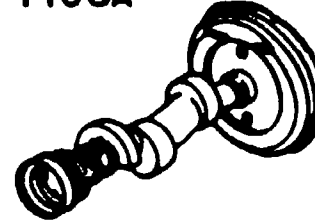


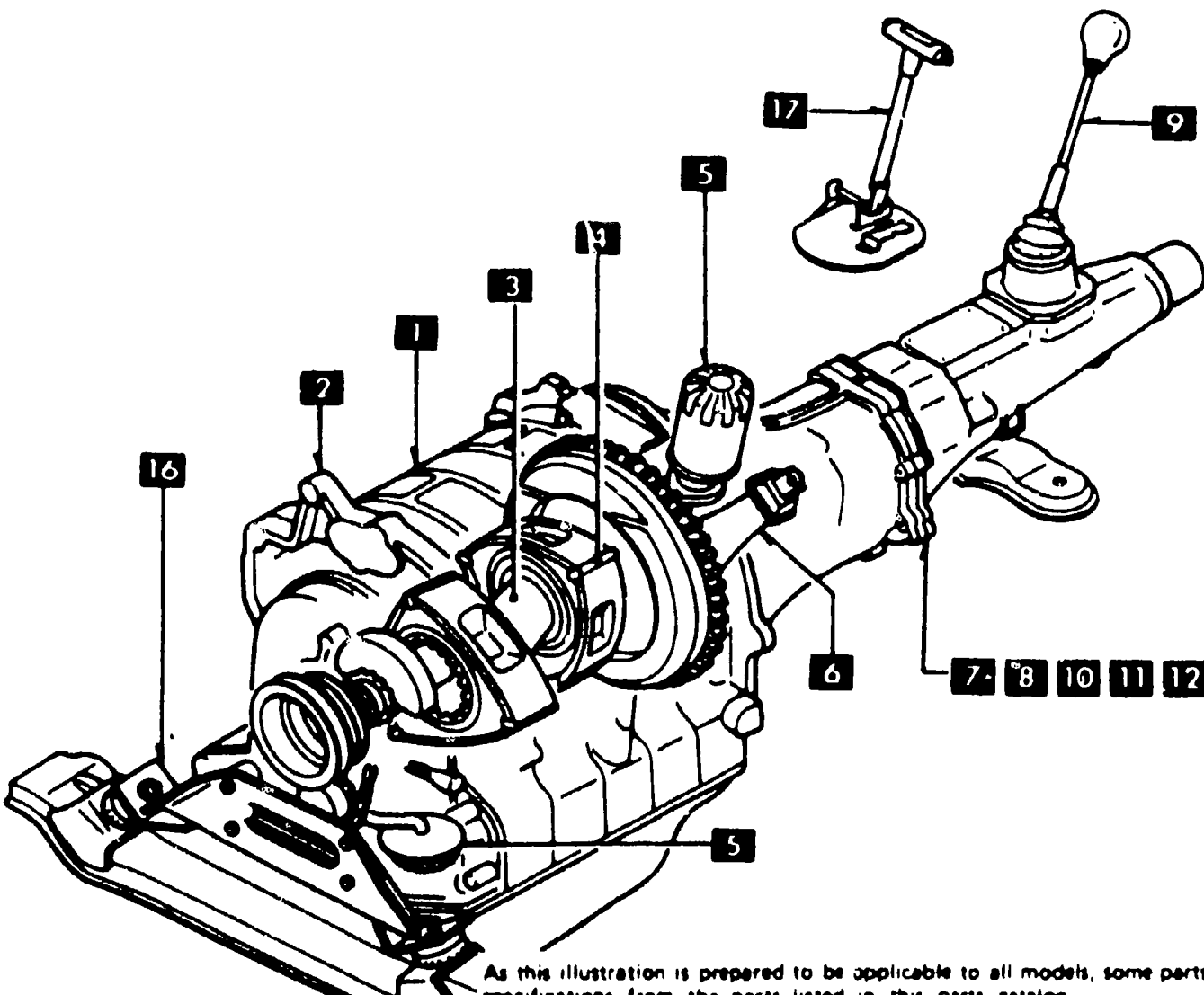
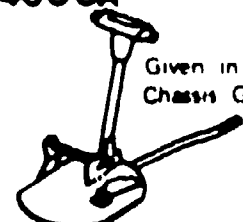
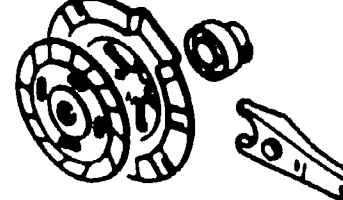
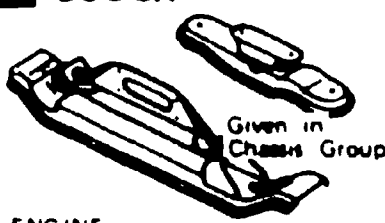
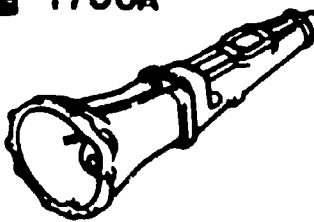
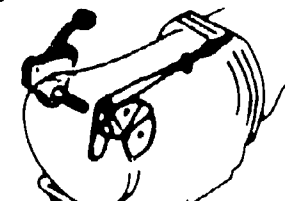
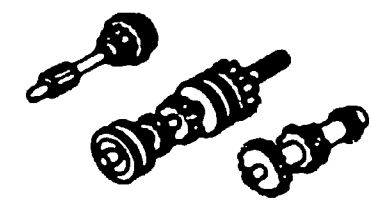
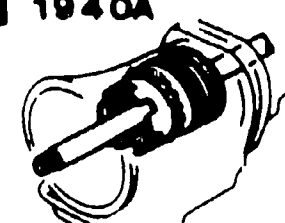


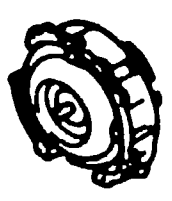
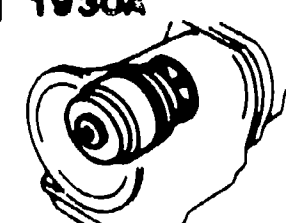



(FB331-500001 ~ ) (Mazda Rotary Engine Licensed by NSU-WANKEL)

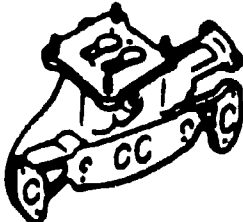


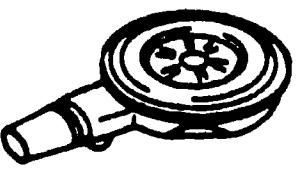


April '92

**mazda**

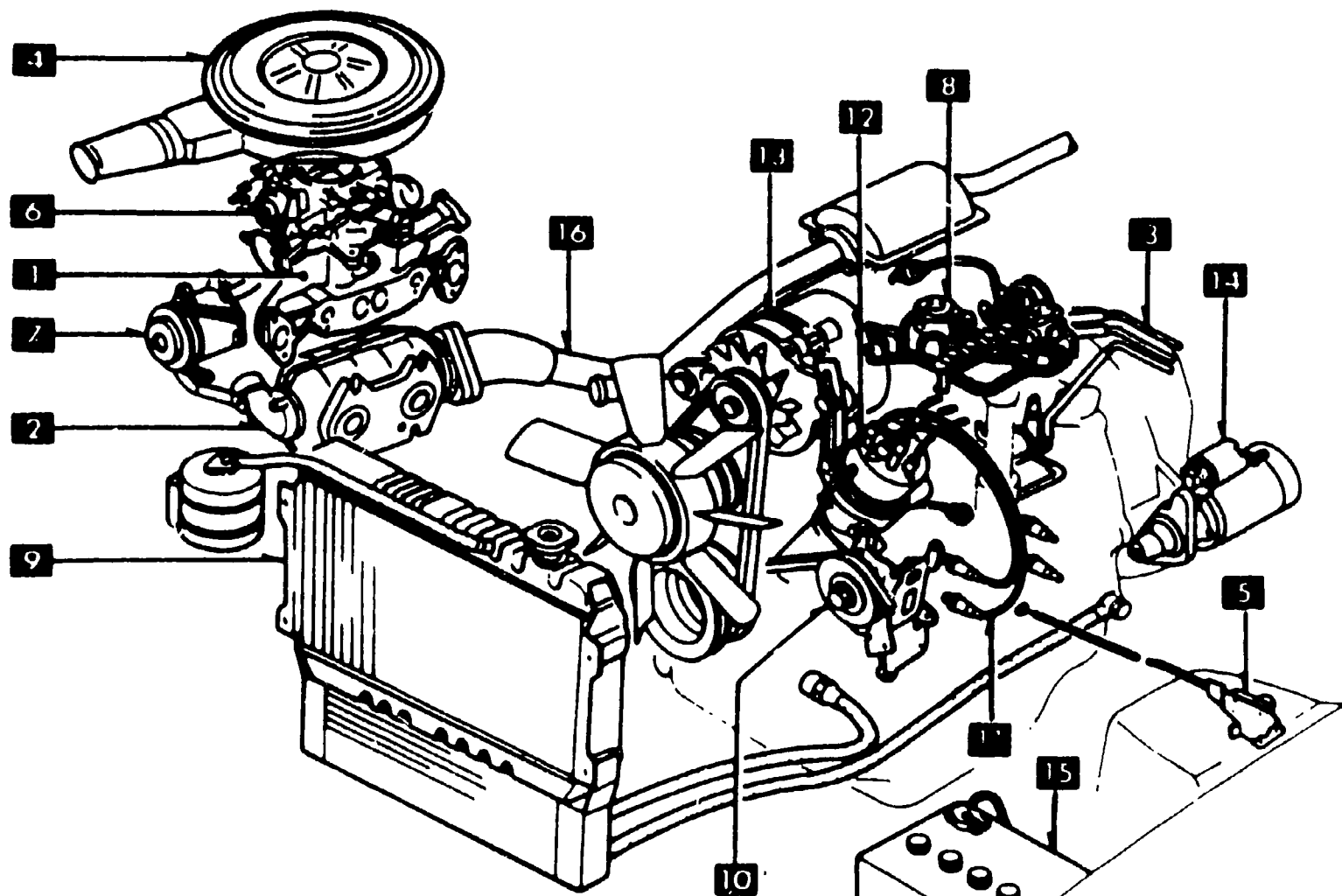
# PICTORIAL INDEX

<p><b>1000A</b></p>  <p>Engine Gaskets</p>  <p>T/mission Gaskets</p> <p>SHORT ENGINE &amp; GASKET SETS</p>	<p><b>1</b> 1030A</p>  <p>ROTOR HOUSING</p>	<p><b>2</b> 1040A</p>  <p>OIL PAN &amp; FRONT &amp; REAR HOUSINGS</p>	<p><b>3</b> 1100A</p>  <p>ECCENTRIC SHAFT &amp; FLYWHEEL</p>	<p><b>4</b> 1110A</p>  <p>ROTOR &amp; RELATED</p>	<p><b>5</b> 1400A</p>  <p>OIL PUMP &amp; FILTER</p>
<p><b>ROTARY ENGINE (1/2)</b></p> 					
<p><b>17</b> 4600A</p>  <p>Given in Chassis Group</p> <p>CHANGE CONTROLS (MANUAL)</p>	<p>As this illustration is prepared to be applicable to all models, some parts are different in specifications from the parts listed in this parts catalog</p>				<p><b>6</b> 1600A</p>  <p>CLUTCH (MANUAL)</p>
<p><b>16</b> 3900A</p>  <p>Given in Chassis Group</p> <p>ENGINE &amp; T/MISSION MOUNTINGS</p>					<p><b>7</b> 1700A</p>  <p>T/MISSION CASE (MANUAL)</p>
<p><b>15</b> 1950A</p>  <p>MANUAL LINKAGE (AUTOMATIC T/MISSION)</p>					<p><b>8</b> 1710A</p>  <p>T/MISSION GEARS (MANUAL)</p>
<p><b>13</b> 1940A</p>  <p>LOW, REVERSE &amp; GOVERNOR (AUTOMATIC T/MISSION)</p>	<p><b>9</b> 1720A</p>  <p>CHANGE CONTROLS (MANUAL)</p>	<p><b>11</b> 1910A</p>  <p>CONVERTER, OIL PUMP &amp; PIPING (AUTOMATIC T/MISSION)</p>	<p><b>10</b> 1900A</p>  <p>TORQUE GLIDE (MANUAL)</p>		
<p><b>13</b> 1930A</p>  <p>CLUTCH &amp; PLANETARY GEARS (AUTOMATIC T/MISSION)</p>	<p><b>12</b> 1920A</p>  <p>CASE &amp; MAIN CONTROLS (AUTOMATIC T/MISSION)</p>				



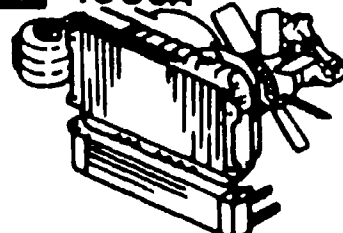
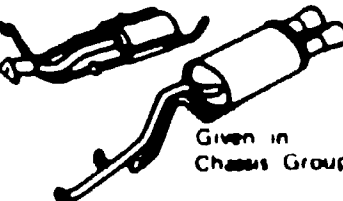
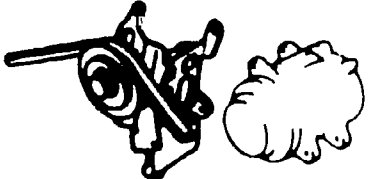
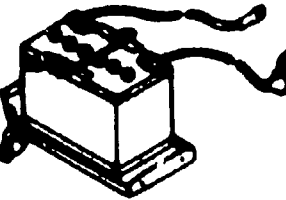
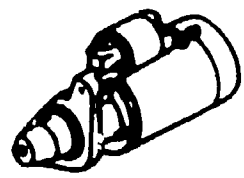


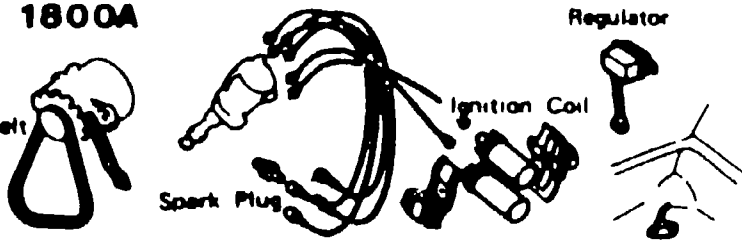
# PICTORIAL INDEX

<b>1</b> 1300A  IN MANIFOLD	<b>2</b> 1310A  THERMAL REACTOR	<b>3</b> 1320A  FUEL SYSTEM	<b>4</b> 1330A  AIR CLEANER	<b>5</b> 1350A  STARTING ASSIST SYSTEM	<b>6</b> 1360A  CARBURETOR
--	--	--	--	---	---

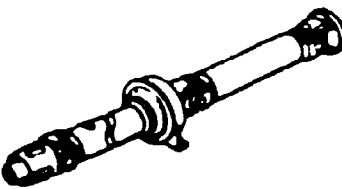
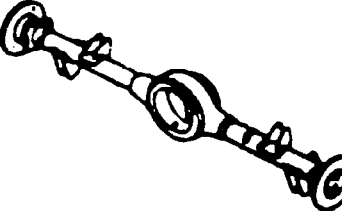

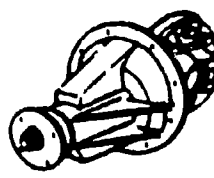
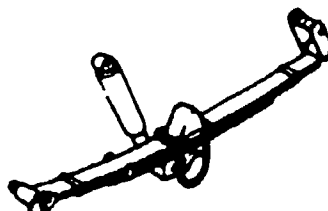
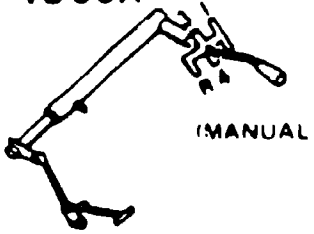
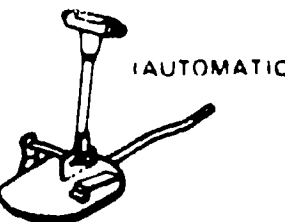
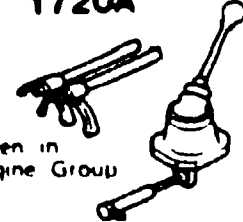
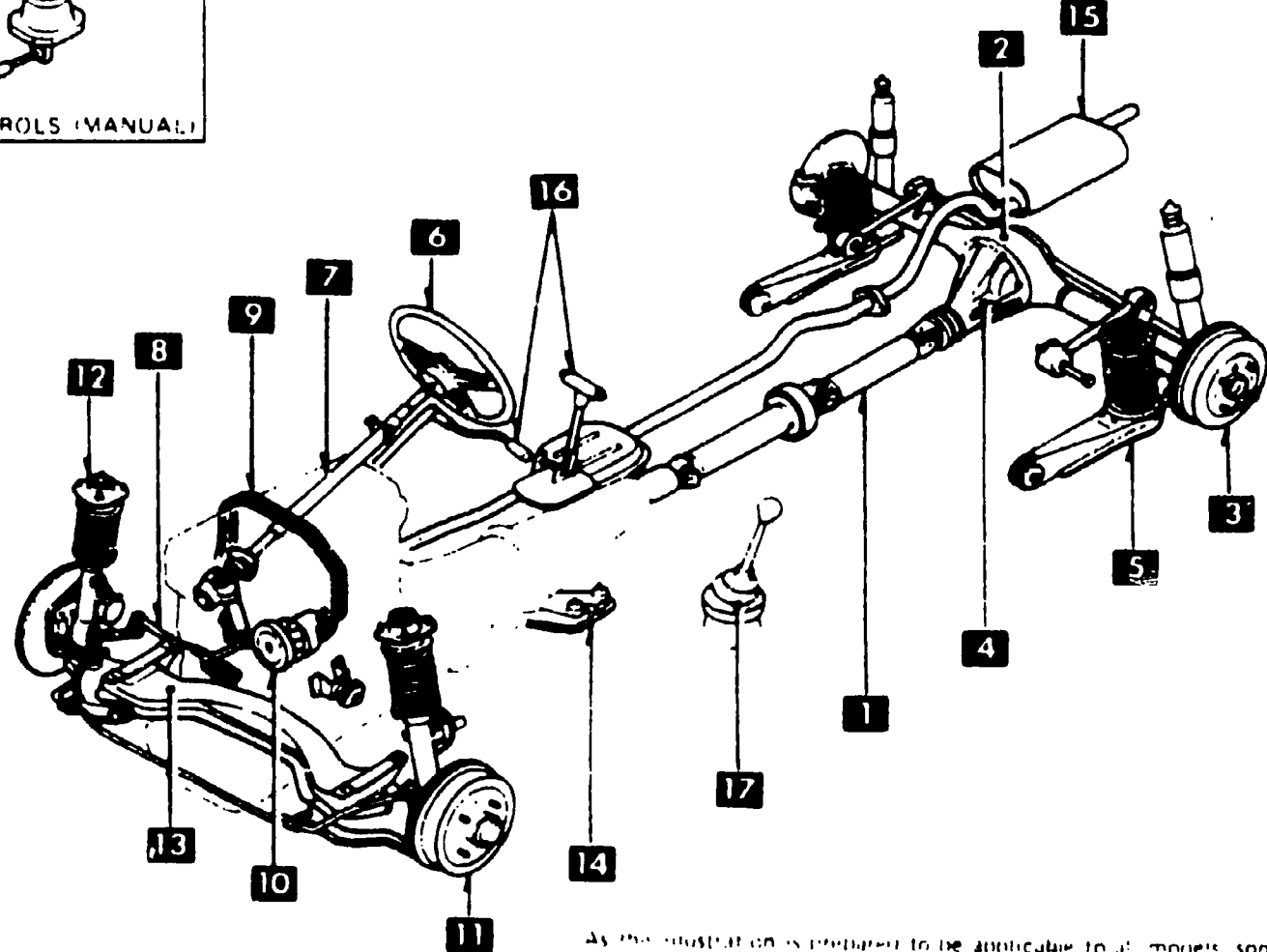

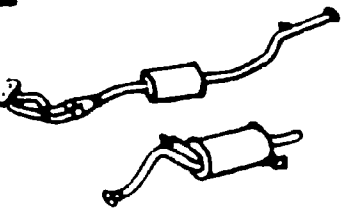
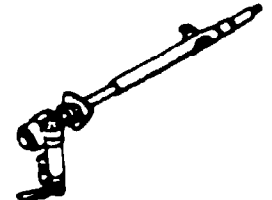
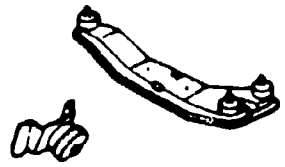
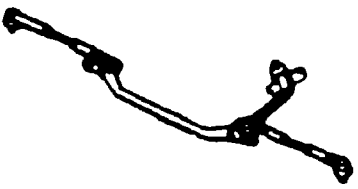
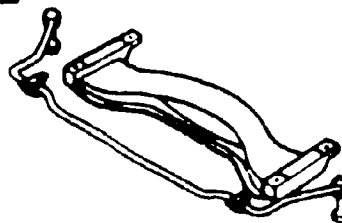
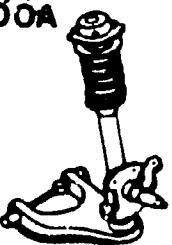


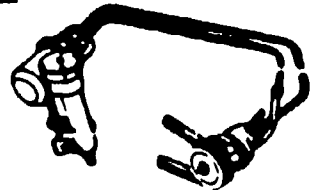
## ROTARY ENGINE (2/2)



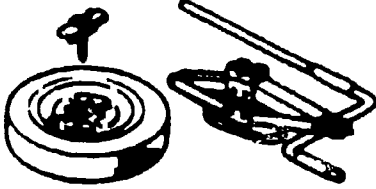

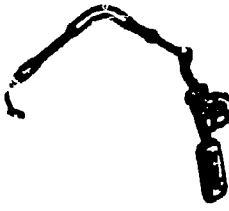
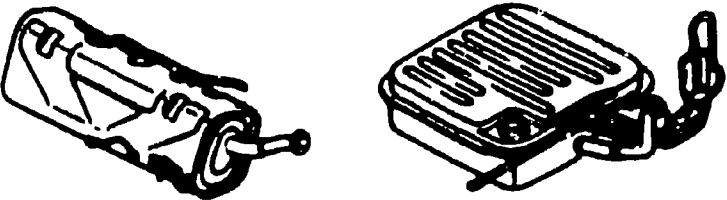
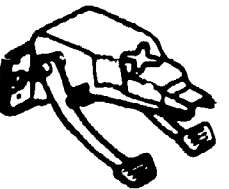
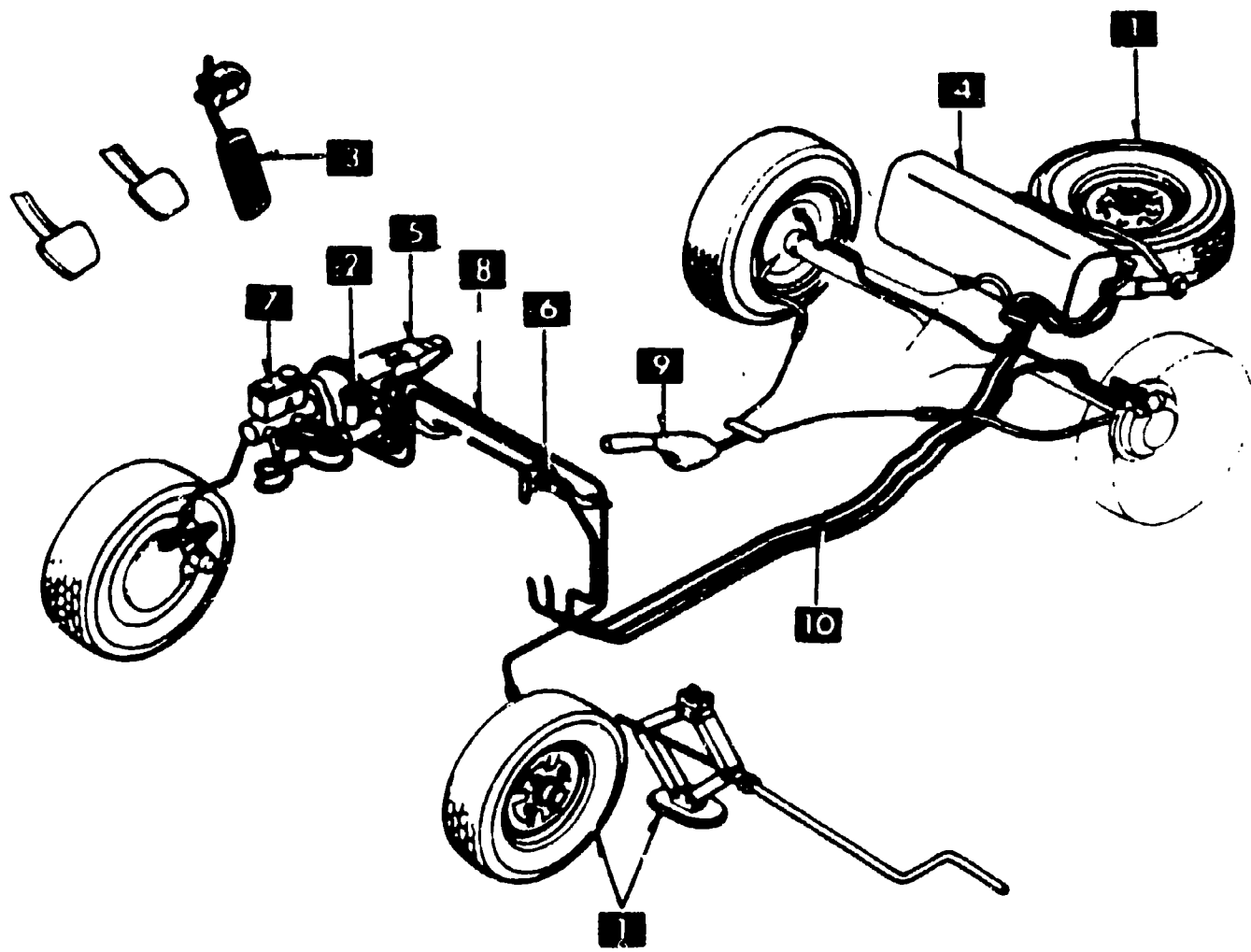
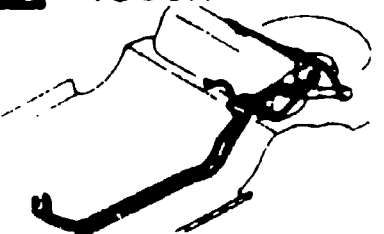

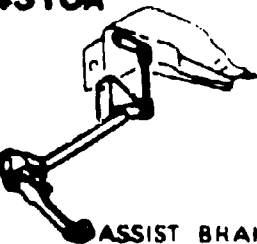
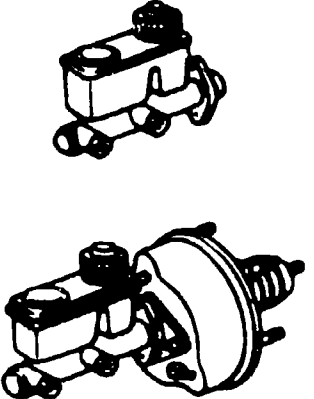

As this illustration is prepared to be applicable to all models, some parts are different in specifications from the parts listed in this parts catalog

	<b>ROTARY ENGINE (2/2)</b>				<b>7</b> 1371A  EMISSION CONTROLS (AIR PUMP & CONTROL VALVE)
					<b>8</b> 1380A  EMISSION CONTROLS (EX SIDE)
					<b>9</b> 1500A  COOLING SYSTEM
<b>16</b> 4000A  EX SYSTEM Given in Chassis Group	<b>ROTARY ENGINE (2/2)</b>				<b>10</b> 1580A  COMPRESSOR BRACKET, PULLEY & BELT (AIR CONDITIONER)
<b>17</b> 1850A  BATTERY & CABLES	<b>18</b> 1840A  STARTER	<b>19</b> 1830A  ALTERNATOR	<b>20</b> 1820A  DISTRIBUTOR	<b>21</b> 1800A  ELECTRICAL SYSTEM (ENGINE) V Belt, Spark Plug, Ignition Coil, Regulator	

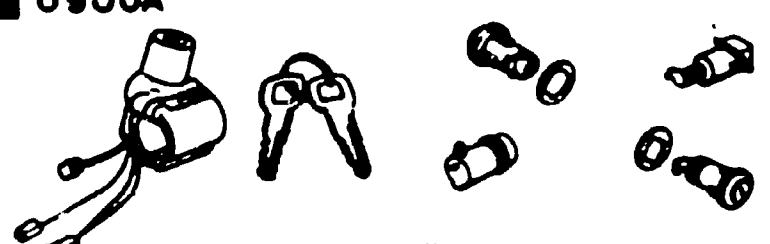



# PICTORIAL INDEX

<b>1 2500A</b>  PROPELLER SHAFT	<b>2 2600A</b>  REAR AXLE	<b>3 2610A</b>  REAR BRAKES	<b>4 2700A</b>  DIFFERENTIAL	<b>5 2800A</b>  REAR SUSPENSION	
<b>16 4600A</b>  (MANUAL)   (AUTOMATIC)  CHANGE CONTROLS	<b>17 1720A</b> Given in Engine Group  CHANGE CONTROLS (MANUAL)	<b>CHASSIS (1/2)</b> 			<b>6 3200A</b>  STEERING WHEEL
<b>15 4000A</b>  EX SYSTEM	<p style="font-size: small;">As this illustration is prepared to be applicable to all models, some parts are different in specifications from the parts listed in this parts catalog.</p>			<b>7 3210A</b>  STEERING GEAR & COLUMN	
<b>14 3900A</b>  ENGINE & TRANSMISSION MOUNTINGS				<b>8 3230A</b>  STEERING LINKAGE	
<b>13 3410A</b>  CROSSMEMBER & STABILIZER	<b>12 3400A</b>  FRONT SUSPENSION	<b>11 3300A</b>  FRONT AXLE & FENDERS	<b>10 3260A</b>  VANE PUMP POWER STEERING	<b>9 3240A</b>  POWER STEERING SYSTEM	

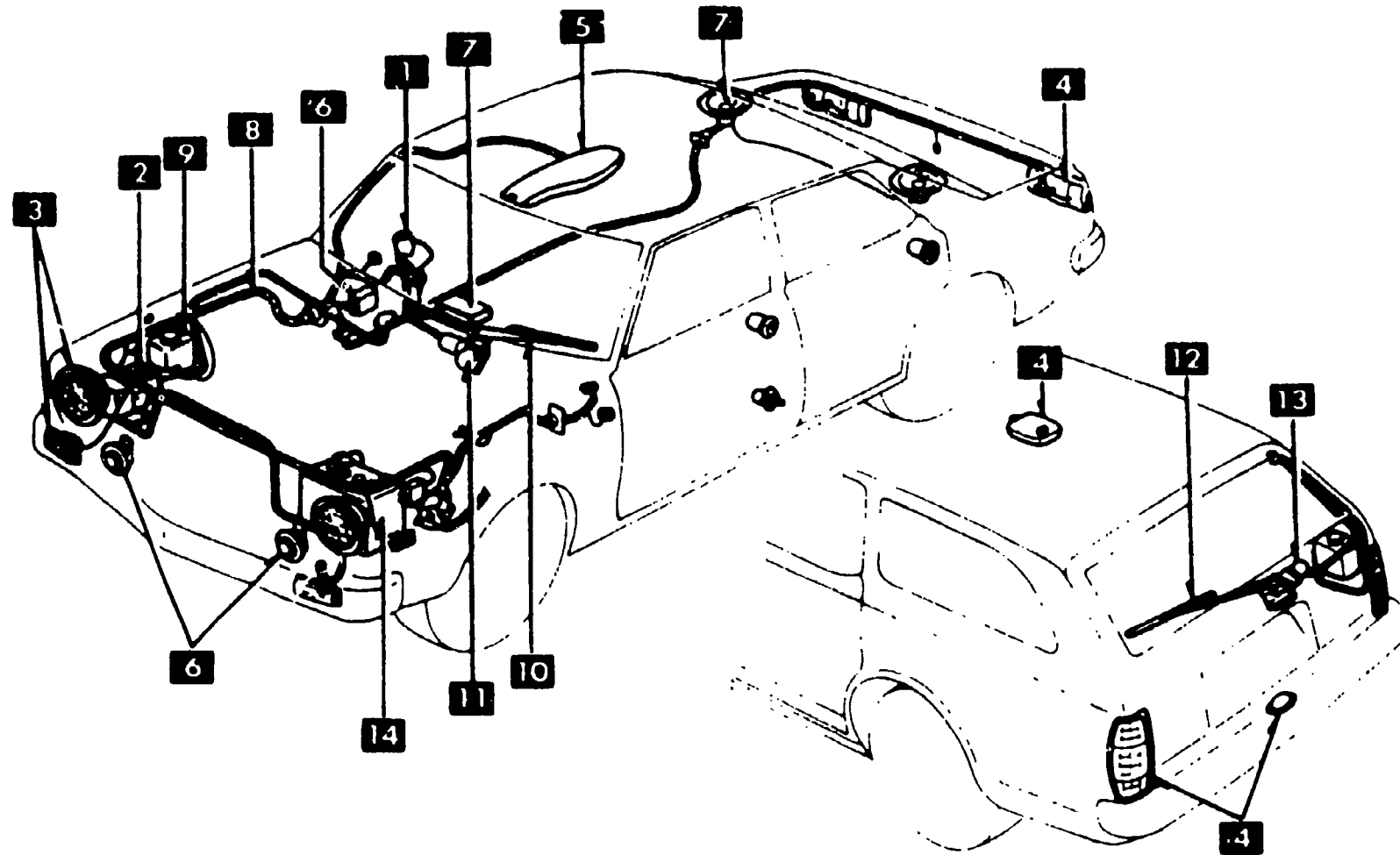
# PICTORIAL INDEX

<b>1 3700A</b>  TIRE & JACK	<b>2 4140A</b>  CLUTCH RELEASE & MASTER CYLINDERS	<b>3 4160A</b>  ACCELERATOR CONTROLS	<b>4 4200A</b>  FUEL TANK	<b>5 4300A</b>  CLUTCH & BRAKE
<h2 style="margin: 0;">CHASSIS (2/2)</h2> 				
As this illustration is prepared to be applicable to all models some parts are different in specifications from the parts listed in this parts catalog				
<div style="display: flex; justify-content: space-between;"> <div style="width: 45%; padding: 5px;"> <b>10 4500A</b>                        FUEL &amp; EVAPORATION PIPINGS                 </div> <div style="width: 45%; padding: 5px;"> <b>9 4400A</b>                        PARKING BRAKE SYSTEM                 </div> </div>				
<div style="display: flex; justify-content: space-between;"> <div style="width: 45%; padding: 5px;"> <b>6 4310A</b>                        ASSIST BRAKE (FOR DRIVING SCHOOL)                 </div> <div style="width: 45%; padding: 5px;"> <b>7 4340A</b>                        TANDEM MASTER CYL &amp; VACUUM POWER ASSIST SYSTEM                 </div> </div>				
<div style="display: flex; justify-content: space-between;"> <div style="width: 45%; padding: 5px;"> <b>8 4360A</b>                        BRAKE PIPING                 </div> </div>				

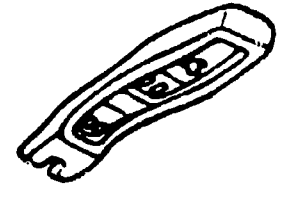
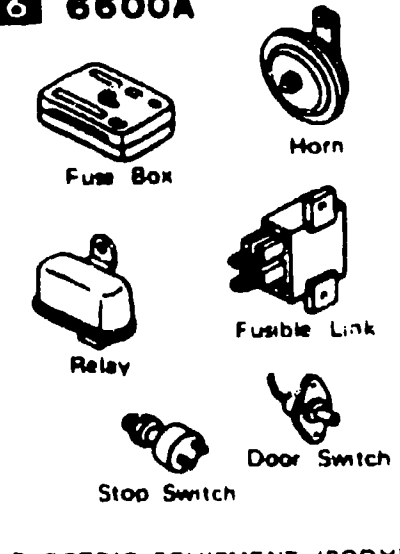
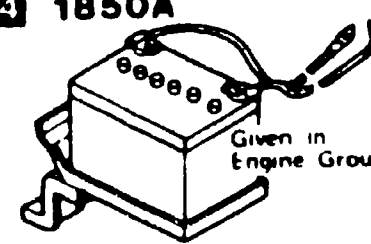
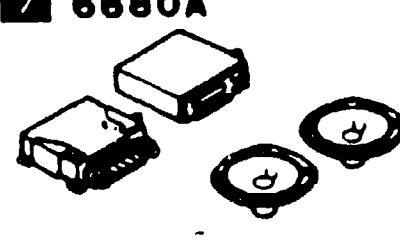

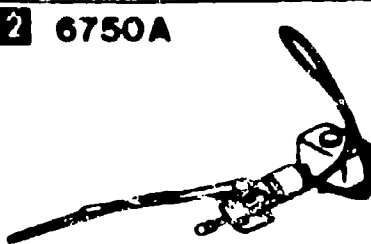


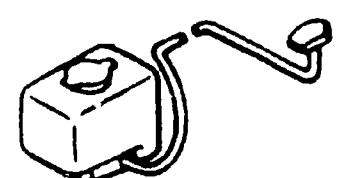
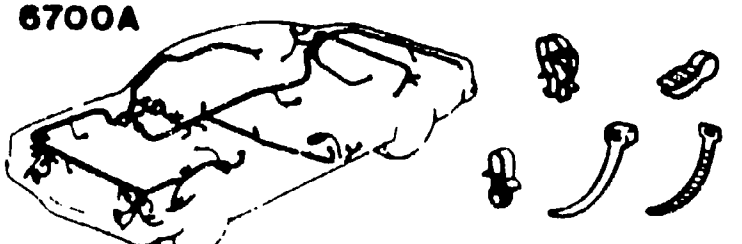
# PICTORIAL INDEX

<b>1 0900A</b>  KEY SETS	<b>2 5020A</b>  HEAD LAMP CLEANER	<b>3 5100A</b>  LAMPS (FRONT & SIDE)	<b>4 5110A</b>  LAMPS (REAR & INTERIOR) Interior Lamp Licence Lamp
---	--	---	---

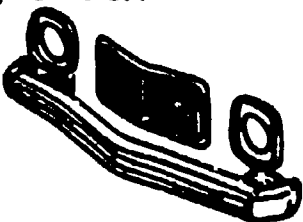
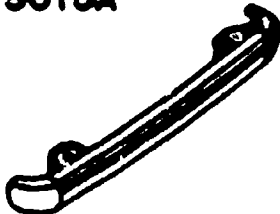
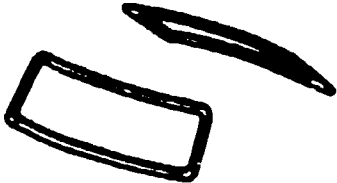
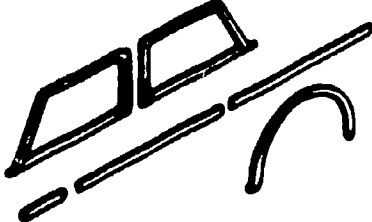
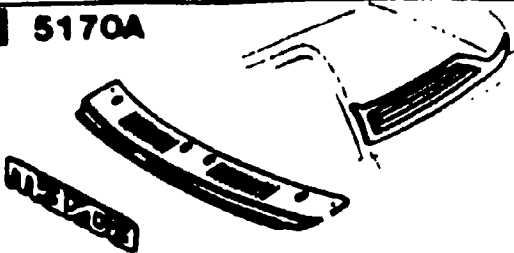
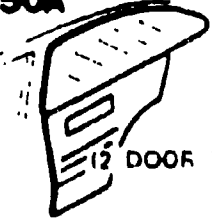
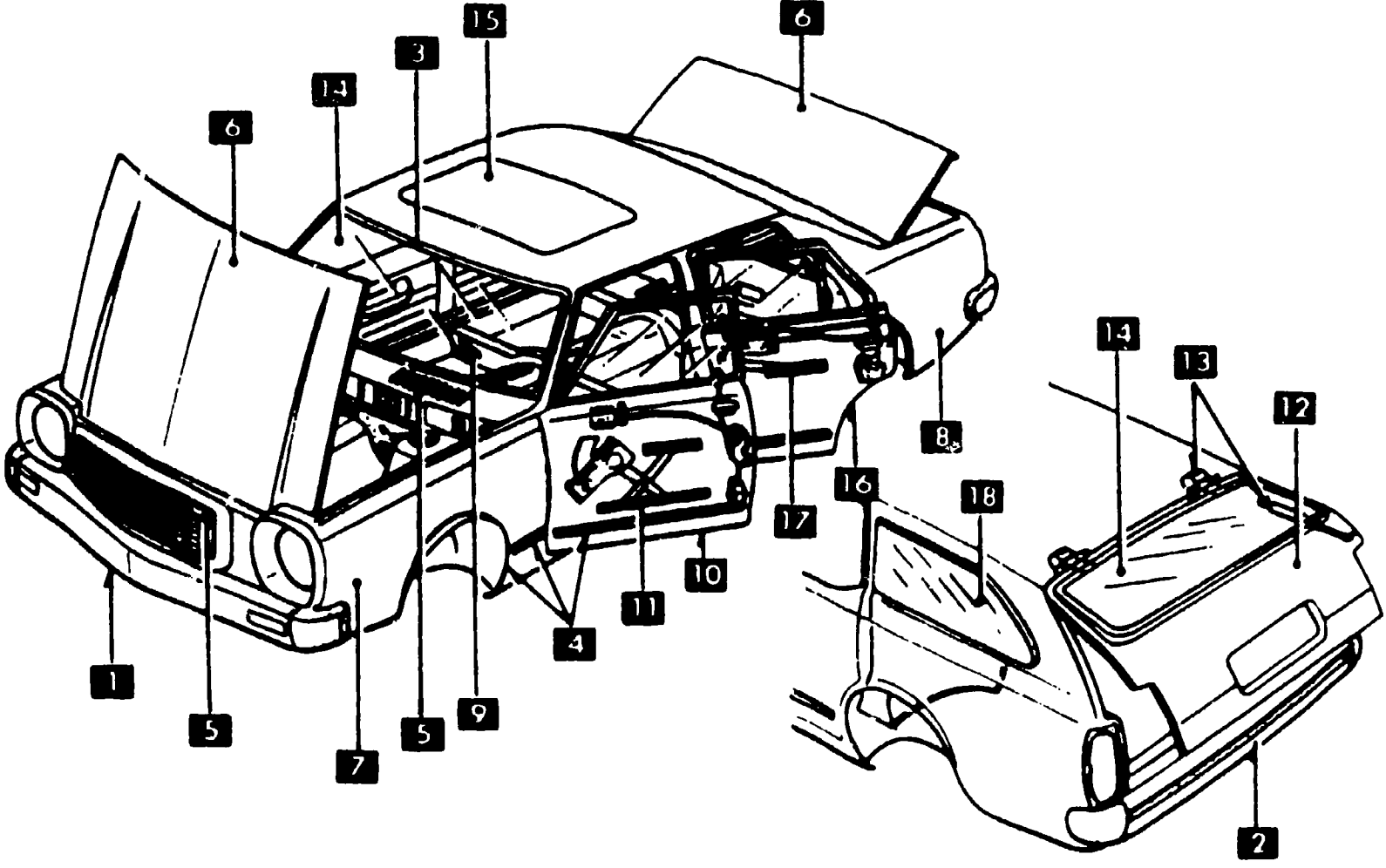
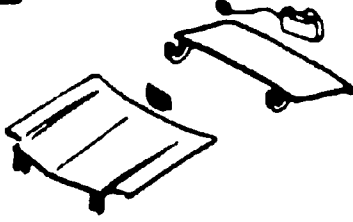
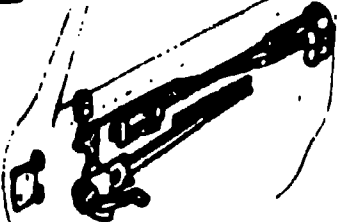
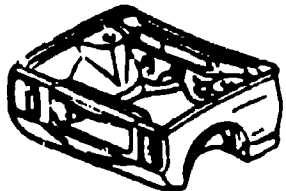
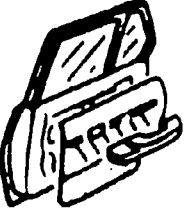
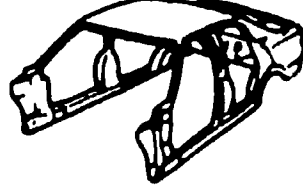

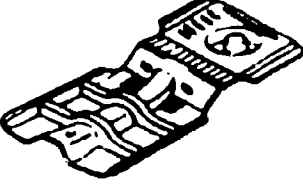

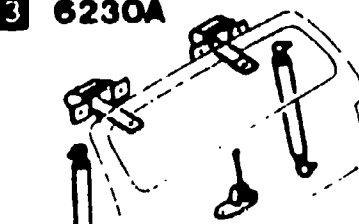
## BODY(1/3)



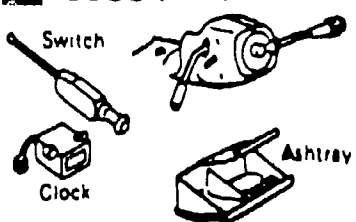
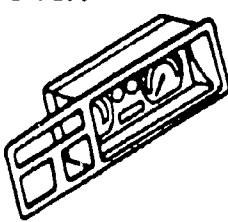
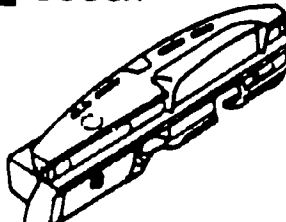
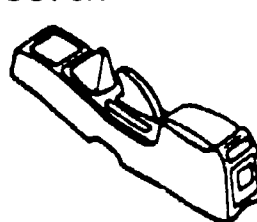
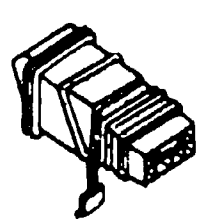
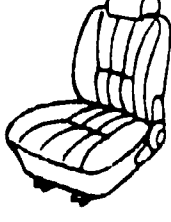
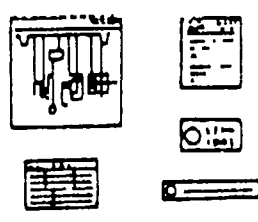
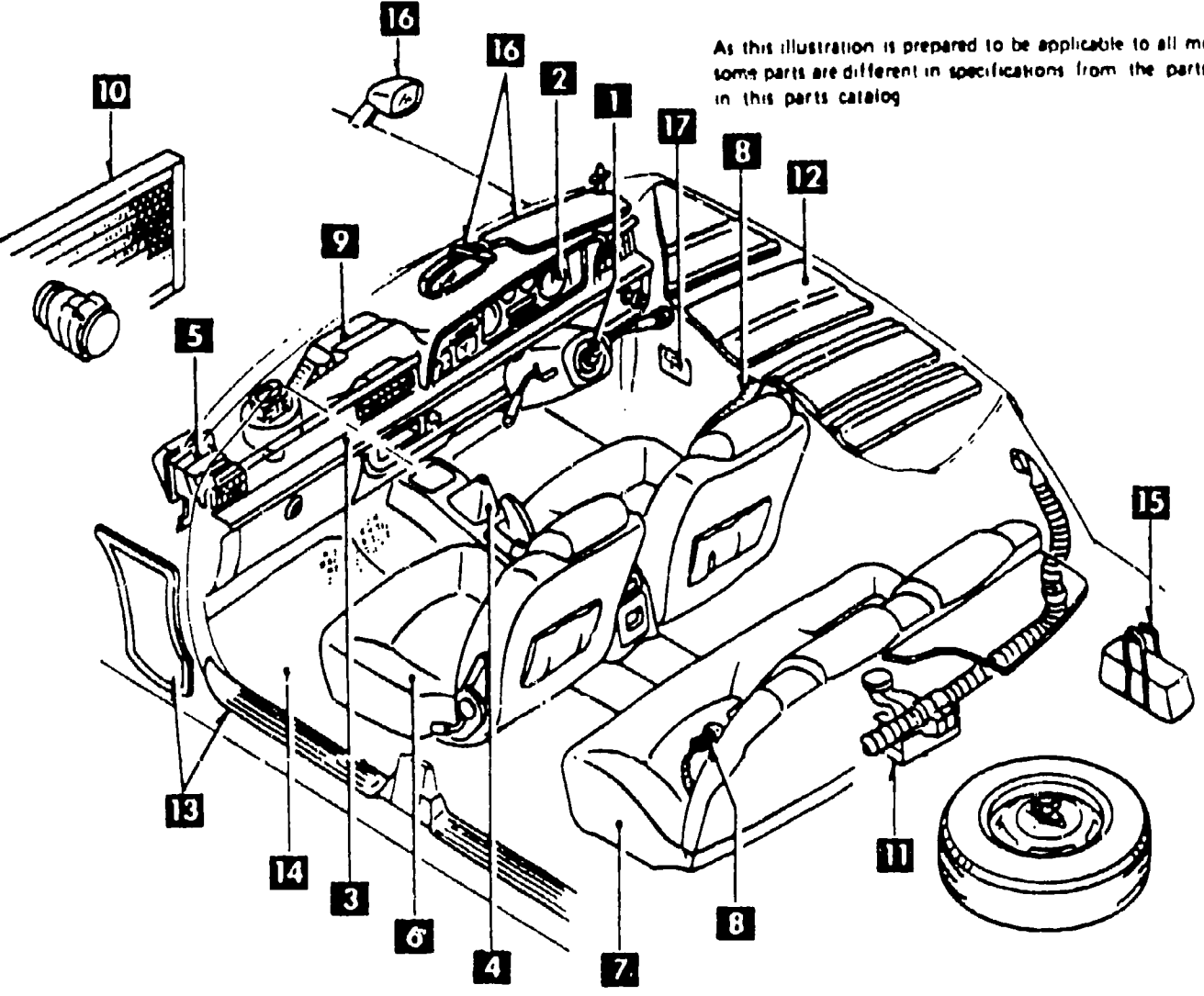
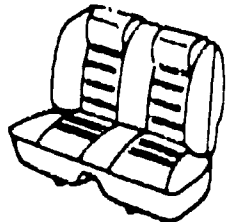
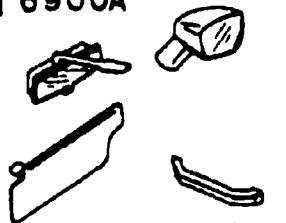
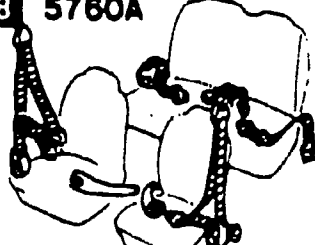
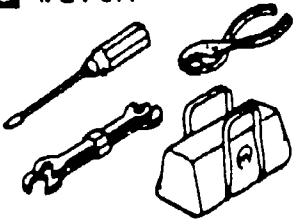
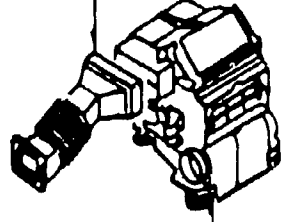
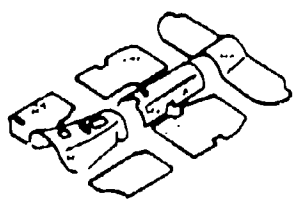
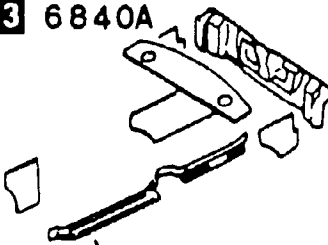
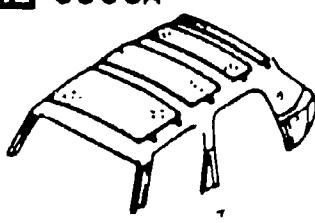
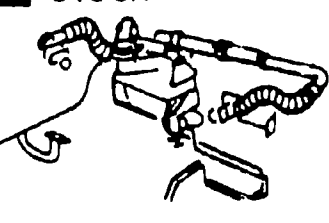
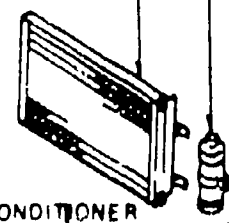
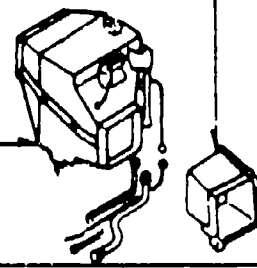
As this illustration is prepared to be applicable to all models some parts are different in specifications from the parts listed in this parts catalog

		<b>5 5130A</b>  OVERHEAD CONSOLE		
		<b>6 6600A</b>  Fuse Box Horn Relay Fusible Link Stop Switch Door Switch ELECTRIC EQUIPMENT (BODY)		
<b>14 1850A</b>  Given in Engine Group BATTERY & CABLES		<b>7 6680A</b>  RADIO & STEREO SYSTEMS		
<b>13 6760A</b>  REAR WINDOW WIPER MOTOR (COMPONENTS ONLY)				
<b>12 6750A</b>  REAR WINDOW WIPER & WASHER	<b>11 6740A</b>  WIPER MOTOR (COMPONENTS ONLY)	<b>10 6730A</b>  WINDSHIELD WIPER	<b>9 6720A</b>  WINDSHIELD WASHER	<b>8 6700A</b>  WIRE HARNESS & CLAMPS

# PICTORIAL INDEX

<p><b>1 5000A</b></p>  <p>FRONT BUMPER &amp; GRILLE</p>	<p><b>2 5010A</b></p>  <p>REAR BUMPER</p>	<p><b>3 5030A</b></p>  <p>WINDOW MOULDINGS</p>	<p><b>4 5040A</b></p>  <p>BODY MOULDINGS</p>	<p><b>5 5170A</b></p>  <p>COWL &amp; EXTRACTOR GRILLES &amp; ORNAMENTS</p>
<p><b>18 7250A</b></p>  <p>REAR WINDOW GLASS &amp; TRIM (2 DOOR TYPE)</p>	<p style="text-align: center;"><b>BODY(2/3)</b></p>  <p style="text-align: center; font-size: small;">As this illustration is prepared to be applicable to all models, some parts are different in specifications from the parts listed in this parts catalog</p>			<p><b>6 5230A</b></p>  <p>BONNET &amp; TRUNK LID</p>
<p><b>17 7230A</b></p>  <p>REAR DOOR MECHANISMS</p>				<p><b>7 5310A</b></p>  <p>BODY PANELS (FRONT)</p>
<p><b>16 7200A</b></p>  <p>REAR DOOR</p>				<p><b>8 5340A</b></p>  <p>BODY PANELS (SIDE &amp; ROOF)</p>
<p><b>15 6330A</b></p>  <p>SUNROOF</p>				<p><b>9 5360A</b></p>  <p>BODY PANELS (FLOOR)</p>
<p><b>14 6300A</b></p>  <p>WINDOW GLASSES</p>				<p><b>13 6230A</b></p>  <p>BACK DOOR MECHANISMS</p>

# PICTORIAL INDEX

<b>1 5500A</b>  Switch Clock Ashtray <b>DASHBOARD EQUIPMENT</b>	<b>2 5540A</b>  <b>METERS</b>	<b>3 5560A</b>  <b>DASHBOARD &amp; RELATED</b>	<b>4 5570A</b>  <b>CONSOLE</b>	<b>5 5580A</b>  <b>VENTILATOR</b>	<b>6 5700A</b>  <b>FRONT SEAT</b>
<b>17 6930A</b>  <b>CAUTION PLATES</b>	<b>BODY(3/3)</b>  As this illustration is prepared to be applicable to all models, some parts are different in specifications from the parts listed in this parts catalog				<b>7 5720A</b>  <b>REAR SEAT</b>
<b>16 6900A</b>  <b>VISOR, ASSIST HANDLE &amp; MIRRORS</b>					<b>8 5760A</b>  <b>SEAT BELTS</b>
<b>15 6870A</b>  <b>SERVICE TOOLS</b>					<b>9 6100A</b>  <b>HEATER</b>
<b>14 6860A</b>  <b>FLOOR MATS &amp; PADS</b>					<b>6110A</b> <b>6120A</b> <b>6115A</b> (ENGINE GROUP)
<b>13 6840A</b>  <b>TRIM &amp; SCUFF PLATE</b>	<b>12 6880A</b>  <b>CEILING TRIM</b>	<b>11 6180A</b>  <b>REAR COOLER</b>	<b>10 6130A</b>  <b>AIR CONDITIONER</b>	<b>1580A</b> <b>6140A</b> <b>6150A</b> (ENGINE GROUP)	



# MODEL IDENTIFICATION

## MAZDA RX-7

(1981 MODELS MANUFACTURED FROM JULY 1980.)

(1982 MODELS MANUFACTURED FROM MAY 1981.)

(1983 MODELS MANUFACTURED FROM JULY 1982.)

MDL NO.	STATE		ENG	T/ M		BRAKE		ROOF		YEAR				VIN
	CAL	FER	ROT	MAN	AUT	FRONT	4 WHEEL	SUNROOF	NORMAL	1	1	1	1	
										8	8	8	8	
			12A	5	A/T	DISC	DISC	ROOF						
FA02	CAL		12	58		F		N/R	X				FB331-500001-600000	
FA03	CAL		12	58		F		S/R		X			FB331-500001-600000	
FA04	CAL		12		A/T	F			N/R	X			FB331-500001-600000	
FA05	CAL		12		A/T	F		S/R		X			FB331-500001-600000	
FA20	CAL		12	58			F/R	S/R		X			FB331-500001-600000	
FA21	CAL		12		A/T		F/R	S/R		X			FB331-500001-600000	

# MODEL IDENTIFICATION

## MAZDA RX-7

(1981 MODELS MANUFACTURED FROM JULY 1980.)

(1982 MODELS MANUFACTURED FROM MAY 1981.)

(1983 MODELS MANUFACTURED FROM JULY 1982.)

MDL NO.	STATE		ENG	T/ M		BRAKE		ROOF		YEAR				VIN
	CAL	FER	ROT	MAN	AUT	FRONT	4 WHEEL	SUNROOF	NORMAL	1	1	1	1	
										8	8	8	8	
			12A	5	A/T	DISC	DISC	ROOF						
FA07		FED	12	58		F			N/R	X			FB331-500001-600000	
FA08		FED	12		A/T	F			N/R	X			FB331-500001-600000	
FA09		FED	12	58		F		S/R		X			FB331-500001-600000	
FA10		FED	12		A/T	F		S/R		X			FB331-500001-600000	
FA18		FED	12	58			F/R	S/R		X			FB331-500001-600000	
FA19		FED	12		A/T		F/R	S/R		X			FB331-500001-600000	
FA32	CAL		12	58		F			N/R		X		FB331-600001-700000	

# MODEL IDENTIFICATION

## MAZDA RX-7

(1981 MODELS MANUFACTURED FROM JULY 1980.)

(1982 MODELS MANUFACTURED FROM MAY 1981.)

(1983 MODELS MANUFACTURED FROM JULY 1982.)

MDL NO.	STATE		ENG	T/M		BRAKE		ROOF		YEAR				VIN
	C	F	R	M	A	F	4	S	N	1	1	1	1	
	CALIFORNIA	FEDERAL	ROTARY 12A	MANUAL 5	AUTOMATIC SPEED	FRONT DISC	WHEEL DISC	SUNROOF	NORMAL ROOF	88	88	88	88	
FA34	CAL		12	58		F		S/R			X		FB331-600001-700000	
FA35	CAL		12		A/T	F		S/R			X		FB331-600001-700000	
FA40	CAL		12	58			F/R	S/R			X		FB331-600001-700000	
FA41	CAL		12		A/T		F/R	S/R			X		FA331-600001-700000	
FA30		FED	12	58		F			N/R		X		FA331-600001-700000	
FA31		FED	12		A/T	F			N/R		X		FB331-600001-700000	

# MODEL IDENTIFICATION

## MAZDA RX-7

(1981 MODELS MANUFACTURED FROM JULY 1980.)

(1982 MODELS MANUFACTURED FROM MAY 1981.)

(1983 MODELS MANUFACTURED FROM JULY 1982.)

MDL NO.	STATE		ENG	T/M		BRAKE		ROOF		YEAR				VIN
	C	F	R	M	A	F	4	S	N	1	1	1	1	
	CALIFORNIA	FEDERAL	ROTARY 12A	MANUAL 5	AUTOMATIC SPEED	FRONT DISC	WHEEL DISC	SUNROOF	NORMAL ROOF	88	88	88	88	
FA36		FED	12	58		F		S/R			X		FB331-600001-700000	
FA37		FED	12		A/T	F		S/R			X		FB331-600001-700000	
FA38		FED	12	58			F/R	S/R			X		FB331-600001-700000	
FA39		FED	12		A/T		F/R	S/R			X		FB331-600001-700000	
FA42		FED	12	58		F			N/R		X		FB331-700000-	
FA43		FED	12		A/T	F			N/R		X		FB331-700000-	
FA46		FED	11	58		F		S/R			X		FB331-700000-	

# MODEL IDENTIFICATION

## MAZDA RX-7

(1981 MODELS MANUFACTURED FROM JULY 1980.)

(1982 MODELS MANUFACTURED FROM MAY 1981.)

(1983 MODELS MANUFACTURED FROM JULY 1982.)

MDL NO.	STATE		ENG	T/ M		BRAKE		ROOF		YEAR				VIN
	C A L I F O R N I A	F E D E R A L	R O T A R Y  12A	M A N U A L  S P E E D	A U T O M A T I C	F R O N T  D I S C	4 W H E E L  D I S C	S U N R O O F	N O R M A L  R O O F	1 9 8 1	1 9 8 2	1 9 8 3	1 9 8 4	
FA47		FED	12		A/T	F		S/R				X		FB331- 700001-
FA48		FED	12	5B			F/R	S/R				X		FB331- 700001-
FA49		FED	12		A/T		F/R	S/R				X		FB331- 700001-
FA44	CAL		12	5B		F			N/R			X		FB331- 700001-
FA45	CAL		12		A/T	F			N/R			X		FB331- 700001-
FA50	CAL		12	5B		F		S/R				X		FB331- 700001-
FA51	CAL		12		A/T	F		S/R				X		FB331- 700001-
FA52	CAL		12	5B			F/R	S/R				X		FB331- 700001-
FA53	CAL		12		A/T		F/R	S/R				X		FB331- 700001-

# LIST OF MONTHLY STARTING VIN (CHASSIS NO.)

## '81 MODEL

MODEL	YR./MO.	JAN. 80/1	FEB. 80/2	MAR. 80/3	APR. 80/4	MAY 80/5	JUN. 80/6	JUL. 80/7	AUG. 80/8	SEP. 80/9	OCT. 80/10	NOV. 80/11	DEC. 80/12
FX-7 FX331						...	...	500001	500076	503736	507335	510973	514495

## '81 MODEL

MODEL	YR./MO.	JAN. 81/1	FEB. 81/2	MAR. 81/3	APR. 81/4	MAY 81/5	JUN. 81/6	JUL. 81/7	AUG. 81/8	SEP. 81/9	OCT. 81/10	NOV. 81/11	DEC. 81/12
FX-7 FX331		518602	521856	525552	529439	533994	...	...	...				

## '82 MODEL

MODEL	YR./MO.	JAN. 81/1	FEB. 81/2	MAR. 81/3	APR. 81/4	MAY 81/5	JUN. 81/6	JUL. 81/7	AUG. 81/8	SEP. 81/9	OCT. 81/10	NOV. 81/11	DEC. 81/12
FX-7 FX331				...	...	...	600001	605980	610656	613695	618135	622546	626755

## '82-'83 MODEL

MODEL	YR./MO.	JAN. 82/1	FEB. 82/2	MAR. 82/3	APR. 82/4	MAY 82/5	JUN. 82/6	JUL. 82/7	AUG. 82/8	SEP. 82/9	OCT. 82/10	NOV. 82/11	DEC. 82/12
FX-7 FX331		629395	633361	637250	642150	647749	652106	700132	703771				

# LIST OF COMPLETE ASSEMBLY UNIT'S PART NUMBERS

COMPLETE MODEL NO.	ENGINE	TRANSMISSION	REAR AXLE	CABIN	REMARKS
FA42	K231-82-000	K538-85-000	P823-85-000	FA42-87-000	Federal A/T Sunroof Front disc brake only
FA43	K232-82-000	A789-19-000	P823-85-000	FA42-87-000	Federal A/T Sunroof Front disc brake only
FA46	K231-82-000	K538-85-000	P823-85-000	FA46-87-000	Federal A/T Sunroof Front disc brake only
FA47	K232-82-000	A789-19-000	P823-85-000	FA46-87-000	Federal A/T Sunroof Front disc brake only
FA48	K231-82-000	K538-85-000	P826-85-000	FA46-87-000	Federal A/T Sunroof Front & rear disc brake
FA49	K232-82-000	A789-19-000	P826-85-000	FA46-87-000	Federal A/T Sunroof Front & rear disc brake
FA44	K233-82-000	K538-85-000	P823-85-000	FA42-87-000	California A/T Sunroof Front disc brake only
FA45	K234-82-000	A789-19-000	P823-85-000	FA42-87-000	California A/T Sunroof Front disc brake only
FA50	K233-82-000	K538-85-000	P823-85-000	FA46-87-000	California A/T Sunroof Front disc brake only
FA51	K234-82-000	A789-19-000	P823-85-000	FA46-87-000	California A/T Sunroof Front disc brake only
FA52	K233-82-000	K538-85-000	P826-85-000	FA46-87-000	California A/T Sunroof Front & rear disc brake
FA53	K234-82-000	A789-19-000	P826-85-000	FA46-87-000	California A/T Sunroof Front & rear disc brake

NOTE: Complete assemblies are available and manufactured in accordance with current production specifications only.

# **INSTRUCTIONS**

## HOW TO LOCATE PARTS IN THE CATALOG

Realistically, there can only be four possible scenarios when looking for a part(s). These are:

1. Either image of the part or the location on vehicle are known.
2. D-Code and/or Group number (of part) are known.
3. Part Number is known.
4. Name of part is known.

If one or more of the items listed above are known, the parts catalog user may use the appropriate index to facilitate part(s) location. The four indexes that may be used are:

### PICTORIAL INDEX -

Use if either the image of the part and/or location on vehicle are known.

### SECTION NUMBER INDEX -

Use if D-Code, Group Number or type of part is known.

### PART NUMBER INDEX -

Use if part number is known.

### ALPHABETICAL INDEX -

Use if name of part is known.

The following two pages outline how to use these indexes.

## USING THE PICTORIAL INDEX

1. The PICTORIAL INDEX is the 1st column of every fiche.
2. Decide whether the desired part is an engine, chassis or body part.
3. Look through the PICTORIAL INDEX for the part. Take note of all possible fiche locations where the part may be found. This information will be useful in thoroughly tracking down the part.
4. Once the appropriate illustration is found, note the section number. Refer to the SECTION NUMBER INDEX for fiche location.

## USING THE SECTION NUMBER INDEX

1. The SECTION NUMBER INDEX is the first row of every fiche.
2. The column labeled STARTING LOCATION denotes the microfiche GRID LOCATION for a particular section.

### EXAMPLE:

1 - G6

1 = denotes the fiche number, i.e., 1 of 3, 2 of 3, 3 of 3

G = denotes the horizontal row location

6 = denotes the vertical column location

3. As an additional feature, the sections located in every column are enclosed in a "highlight box" in the SECTION NUMBER INDEX.
4. At this point, it is just a simple matter of going to the correct frame and locating the desired part number.

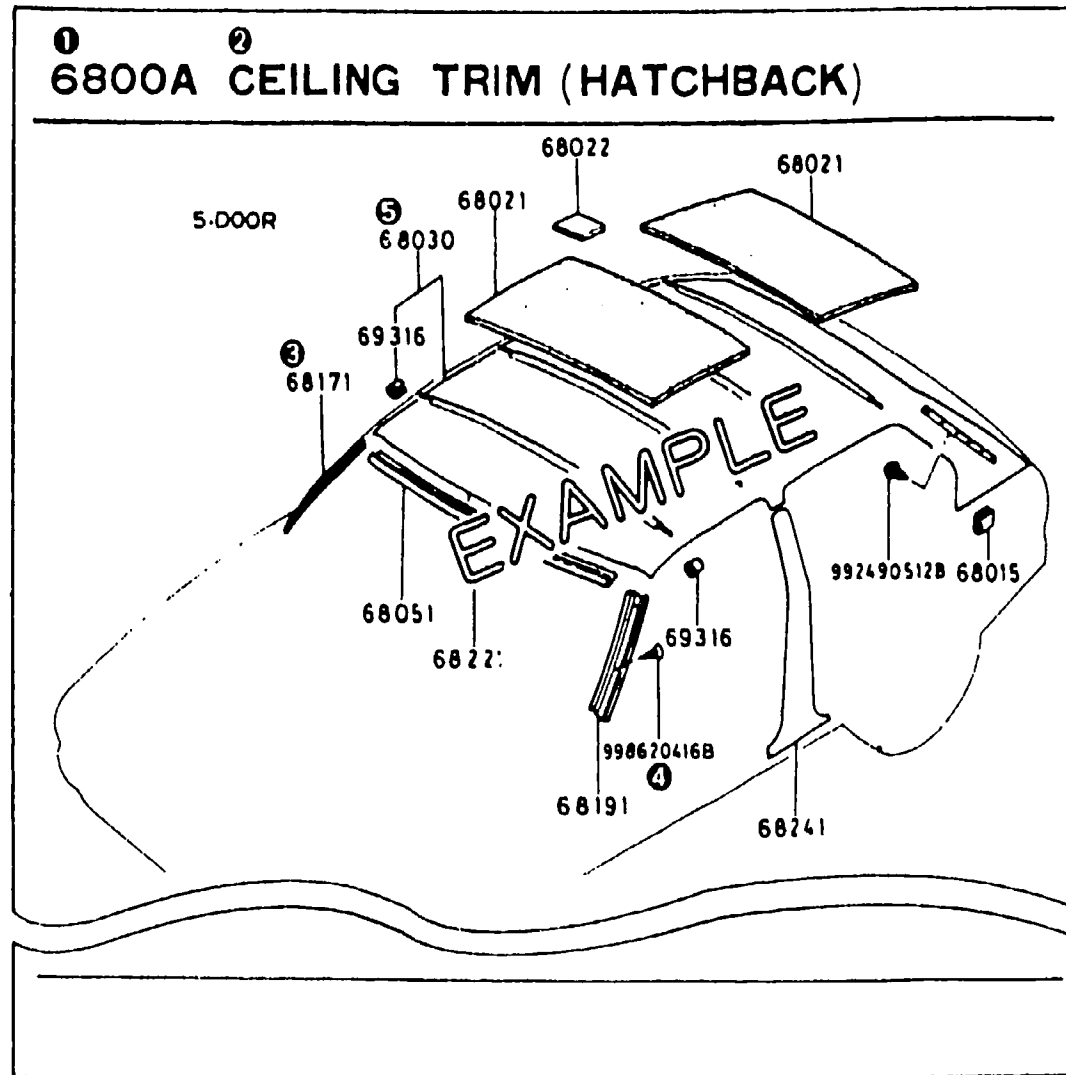
### **USING THE PART NUMBER INDEX**

1. If the part number is known, simply use the PART NUMBER INDEX.
2. The PART NUMBER INDEX is located at the very end of the catalog, on the last fiche of a fiche set.
3. The index shows the section number and the grid location where the part number may be found.
4. When the PART NUMBER INDEX is used, remember that the part number is NOT read from "left to right". The base part number is read first. The base part number consists of the center two digits plus the next three (or four) digits to the right.
5. Use the grid location to go to the appropriate frame where the part number may be found. Cross-reference the part number with the illustration and text to ensure that it is indeed the desired part.

### **USING THE ALPHABETICAL INDEX**

1. If the name of the part is known, simply use the ALPHABETICAL INDEX.
2. The ALPHABETICAL INDEX is located right before the PART NUMBER INDEX, at the very end of the catalog, on the last fiche of a fiche set.
3. The ALPHABETICAL INDEX contains the section number and the grid location where the desired part may be found.
4. Use the grid location to go to the appropriate frame where the part number may be found. Cross-reference the part number with the illustration and text to ensure that it is indeed the desired part.

## HOW TO INTERPRET THE ILLUSTRATION



In the example shown above, the interpretation of each item appearing in the illustration area is as follows.

### 1 SECTION NUMBER

Each illustration is given a Section Number, which is a "IDENTIFICATION NUMBER" of the group of parts classified in function.

Section Number basically consists of four numeric characters and alpha "A". But when a Section (a group of parts) is shown in more than one illustration over the same catalog, an additional alphabetical character is incorporated, e.g.,

Section No.	Section Name
6800A	Ceiling Trim (Hatchback)
6800AA	Ceiling Trim (Wagon)

(Note)  
Illustrations are always arranged in numerical sequence by SECTION NUMBER throughout the fiches in the set. (Exception: Section No. "0900A key Sets" is located in the first section of Body group.)

### 2 SECTION NAME

This is a descriptive name of the illustration (the group of parts).

### 3 D-CODE (KEY NUMBER)

D-Code consists of five or six digits, and serves as a "KEY NUMBER" to co-ordinate a part's illustration with its related text.

(Note)

Those parts which appear in the illustration without D-Code are not available as spare parts. (Exception: Most Standard Parts do not have D-Code, but are available as spare parts.)

### 4 STANDARD PART NUMBER

Those parts which are standardized in form, dimension, material, etc. such as bolts, nuts, washers, etc. are called "Standard Parts". In most cases, Standard Part Numbers are shown on the illustration instead of via the D-Code, and are distinguished from D-Code by the number which consists of nine or ten digits starting with "9", e.g., 99862-0416B. Those Parts do not appear in the text and part number index.

### 5 ASSEMBLY AND COMPONENTS' RELATIONSHIP

The relationship between an Assembly and its Components is indicated in the illustration but not in the text.

If the D-Code appeared as the example, the correct interpretation of that would be: D-Code 68030 includes D-Code 69316 and Top Ceiling (no D-Code indicated).



## HOW TO INTERPRET THE TEXT

### IMPORTANT

As there are many abbreviated words used in the text, refer to "Abbreviation List" located in the lower corner of each fiche (frame No. N1).

6800A-1 CEILING TRIM (HATCHBACK)

D-CODE (Key No.)	PART NAME	PART No.	Qty	MODEL/DESCRIPTION	VIN (Chassis No.)
① 68030	② CEILING, TOP	③ 853-68-030	④ 1	⑦ (USE W/DEFROSTER) 3-DOOR ⑥	
	⑩ BEIGE	⑪ 31	⑦ (USE W/O DEFROSTER) 5-DOOR		
	⑨ 00				
68051	PLATE, T/CEILING	853-68-051	1		FA4PS . . 500001 -527625 FA4TS . . 500001 -688439 ⑩ FA4PS . . 522627- FA4TS . . 688440-
				⑩ <AN>	

In the example shown above, the interpretation of the information appearing in each column is as follows.

#### ① D-CODE (KEY NUMBER)

This is to serve as a "KEY NUMBER" to co-ordinate with a part on the illustration. Those parts which are identical in function and descriptive name, are given a common code over the Mazda Spare Parts. Within each Section Number, the D-Code appears in numerical sequence.

#### ② PART NAME

Part Names are shown in English and/or French and/or Spanish and/or German, depending upon Catalogs and are given to each "D-CODE".

#### ③ COLOR NAME

Color Names appear here when Color Codes are indicated in the "PART No." column. These are shown in English only.

#### ④ PART NUMBER

Under the same D-Code, if there are more than one Part Number, Part Numbers are always listed in numerical and/or alphabetical sequence regardless of the order of modification history of parts.

#### ⑤ COLOR CODE

When Color Code(s) appear(s), the indicated Part Number requires the Color Code to properly identify the color of the part, e.g., 8531-68-030 00, 8531-68-030 31.

#### ⑥ QUANTITY

This denotes the Quantity of each part number per the D-Code used on the applicable model(s).

#### ⑦ DESCRIPTION

An additional descriptive information for each part is provided as necessary.

#### ⑧ MODEL APPLICATION

Model Application for a part is shown in this column if necessary. If there is no Model Application indicated, the affected part is applicable to "ALL MODELS" covered in the page. For further information, refer to "HOW TO INTERPRET THE MODEL APPLICATION" shown later (frame No. G16).

#### ⑨ INTERCHANGEABILITY CODE

The code in < > brackets appearing in this column indicates the level of interchangeability between the indicated part and the former one. For the definition of the Codes, refer to "INTERCHANGEABILITY CODE LIST" shown in the lower corner of each fiche (frame No. N1).

#### ⑩ NEW PART NUMBER'S SIGN

An asterisk (\*) appearing in the "Part Number" column indicates that the affected Part Number has been newly added since the last edition.

#### ⑪ VIN (CHASSIS No.)

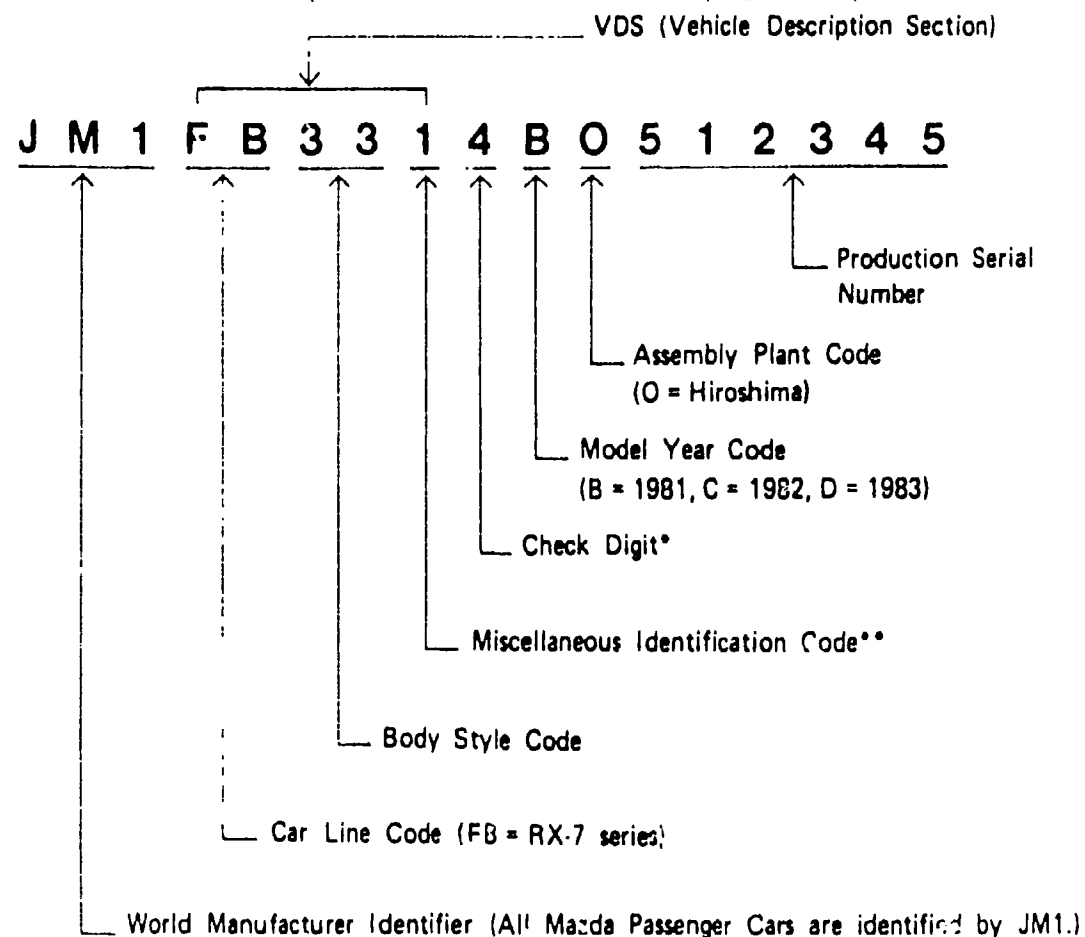
VIN (Vehicle Identification Number) is shown in this column if necessary, to identify the vehicles applicable to the affected part. For further details, refer to "HOW TO INTERPRET THE VIN (CHASSIS No.)" located in frame No. H16 of this fiche.

## HOW TO INTERPRET THE VIN (CHASSIS No.)

### VEHICLE IDENTIFICATION SYSTEM FOR MAZDA RX-7 SERIES (1981-)

Vehicle Identification Number (VIN) for RX-7 (1981 and later year models) consists of World Manufacturer Identifier, Vehicle Description Section (VDS), Check Digit, Model Year Code and Production Serial Number which is sequentially numbered within each VDS.

Shown below as an example is the VIN for Mazda RX-7 (1981 model).



\* Check Digit is included as a VIN security feature to permit law enforcement verification of the authenticity of a suspected illegal VIN plate. This single digit number is determined, based upon a complex mathematical formula which is applied to each vehicle's VIN number.

\*\* Miscellaneous Identification Code identifies major components such as engine, brake system, cab type, etc. However, if all models of the same car line use the same such components, this code is indicated as a numeric character "1" only.

## VIN PRESENTATION ON THE PARTS CATALOG

VIN does NOT ALWAYS APPEAR. No "VIN" indicated denotes that a Part is applicable to the affected model from the FIRST PRODUCTION and ON (up to now).

If the information in the "VIN" column appeared as the example below:

6230A-1 BACK DOOR MECHANISMS (HATCHBACK)

D-CODE (Key No.)	PART NAME	PART No.	Qty.	MODEL/DESCRIPTION	VIN (Chassis No.)
62210A	HINGE, BACK DOOR	8531-62-210B	2	1000 1300	① FA4PS... 500001 -522626 FA4TS... 500001 -688439
		•8531-62-210D	2		② FA4PS... 522627- FA4TS... 688440- FA4US... 500001-
62310	LOCK, BACK DOOR	8531-62-310B	2		③

... the correct interpretation of the above would be:

- ① Part No. 8531-62-210B is applicable to Model 1000 from VIN FA4PS-500001 thru FA4PS-522626 and Model 1300 from VIN FA4TS-500001 thru FA4TS-688439 for the Hatchback respectively.
- ② Part No. 8531-62-210D is applicable to Model 1000 from VIN FA4PS-522627 and on, Model 1300 from VIN FA4TS-688440 and on, and Model 1400 from VIN FA4US-500001 (the first production) and on for the Hatchback respectively.
- ③ Part No. 8531-62-310B is applicable to ALL MODELS (1000, 1300 and 1400) of the Hatchback series from the FIRST PRODUCTION and ON (up to now).

## HOW TO INTERPRET THE MODEL APPLICATION

Model Application does NOT ALWAYS APPEAR. No "Model Application" indicated denotes that a Part is applicable to ALL MODELS covered by the affected page.

If the information in the "MODEL/DESCRIPTION" column appeared as the example below:



4000A-1 EX. SYSTEM (HATCHBACK)

D-CODE (Key No.)	PART NAME	PART No.	Qty	MODEL/DESCRIPTION	VIN (Chassis No.)
40061	HANGER, SILENCER	3874-40-060	1	0	
40081	BRACKET	3952-40-080A	1	CAL. } ②	
		8021-40-080C	1	FED. } ③	

... the correct interpretation of the above would be:

- ① Part No. 3874-40-060 is applicable to All of Hatchbacks.
- ② Part No. 3952-40-080A is applicable to the Hatchbacks of CAL. applications.
- ③ Part No. 8021-40-080C is applicable to All Hatchbacks for FED. applications.

CAL. = California

FED. = Federal

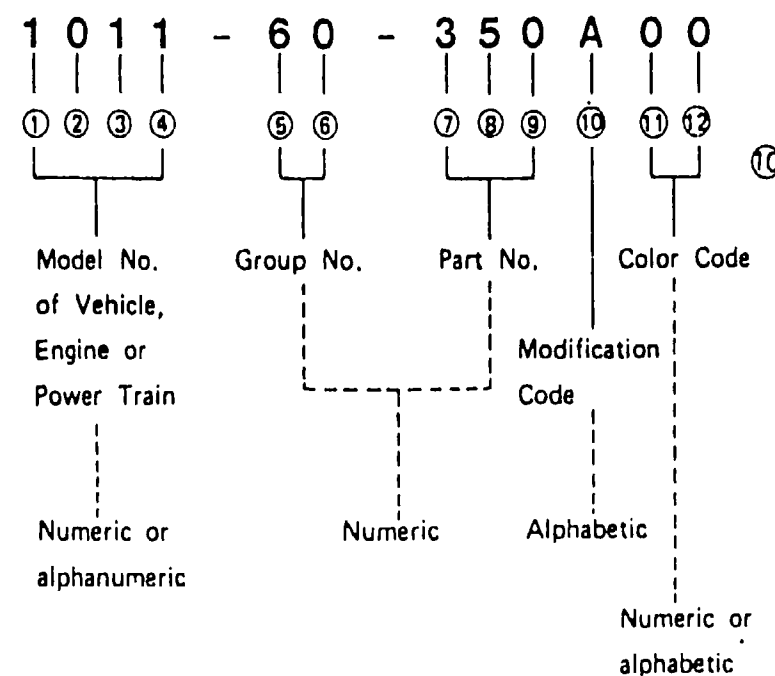
## MAZDA PART NUMBERING SYSTEM

Mazda Part Numbers are generally classified into three categories:  
General Parts, Standard Parts and Special Tools.

### MAZDA GENERAL PARTS

The Part Number basically consists of nine or ten digits. The 10th digit (if applicable) denotes modification of the part. It has twelve digits when a color code consisting of two digits is required.

#### EXAMPLE.



(Note)

If a color code was required but not modification code, the 10th digit would be blank, and the color code would follow, e.g.,

1011-60-350\_00

blank

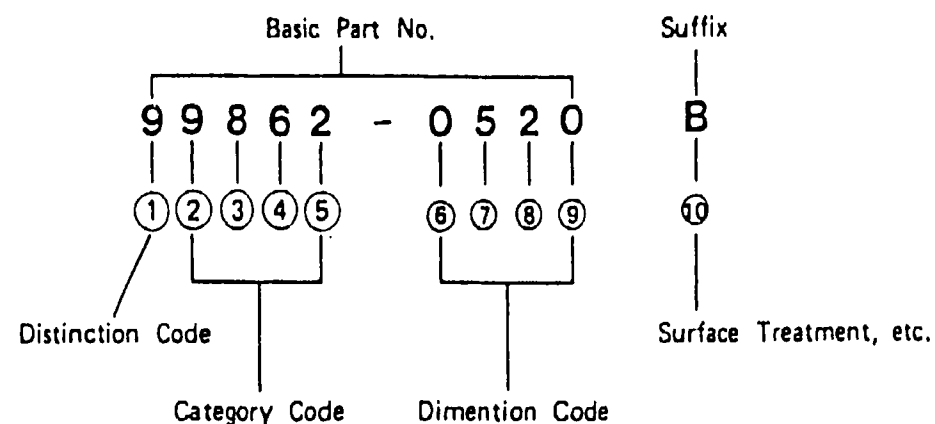
## MAZDA STANDARD PARTS

Those Parts which are standardized in form and dimension such as Bolts, Nuts, Washers, Hoses, Disc Wheels, etc. are called Mazda Standard Parts.

All the Mazda Standard Parts are identified by a Part Number starting with "9". The numbering structure of Standard Parts varies depending upon the kind of parts.

The following is just one example of Standard Part Numbers. For further details and examples, refer to the wall chart, "LIST OF STANDARD PARTS".

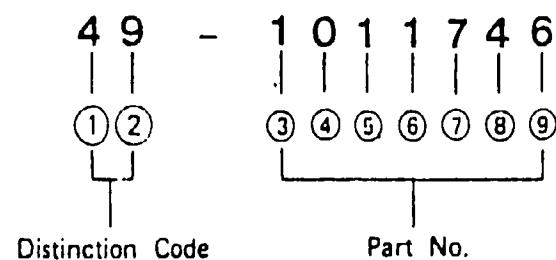
### EXAMPLE



## MAZDA SPECIAL TOOLS

In order to repair Mazda Vehicles, certain equipment is required. Those are called Mazda Special Tools.

### EXAMPLE



(Note)  
As Mazda Special Tools are not shown in the Parts Catalog, refer to "LIST OF SPECIAL TOOLS & APPLYING MODELS" as for further details.

## INTERCHANGEABILITY CODE LIST

Code	Definition	
AN	↔ (Both Ways)	A new part and the former part are fully interchangeable.
A	→ (One Way)	A new part can be used in place of the former part, but the former part cannot be used in place of a new part.
C	Plus 	A new part with some additional part(s) can be used in place of the former part.
G	Plus 	Some modification work is required to use a new part in place of the former part.
S	← (One Way Backward)	The former part can be used in place of a new part, but a new part cannot be used in place of the former part.

**ABBREVIATION LIST**

ABBREV.	MAY REPLACE	ABRREV.	MAY REPLACE
1ST	First	CAL.	California
2ND	Second	CASS.	Cassette
3RD	Third	CAT.	Category
4TH	Fourth	Cd	Coefficient Of Drag
4 SPD	Four Speed	CD	Compact Disk
4WS	Four Wheel Steering	C.G.R.	Constant Gear Ratio
4WD, 4X4	Four Wheel Drive	CHG.	Change
5TH	Fifth	CHK.	Check
5 SPD	Five Speed	CHMBR	Chamber
		CHN.	Chain
AA.	Anti Afterburn	CIGAR.	Cigarette
A.A.S.	Auto Adjusting Suspension	CI	Coefficient Of Lift
ABS	Anti Lock Braking System	CLPR	Caliper
AC	Air Conditioning	CNVTR.	Converter
A.C.C.	Automatic Cruise Control	COMB.	Combination
ACCEL.	Accelerator	COND.	Condenser
A.C.V.	Air Control Valve	COMP.	Compressor
A.E.	Acoustical Equalizer	CONV.	Convertible
ALUM	Aluminum	C/P	Cab Plus
ALL	Automatic Load Leveling	C.S.D.	Cold Start Device
ALT.	Alternator	CSTG.	Coasting
AMP.	Amplifier	CTR.	Center
ANT.	Antenna	CTRL.	Control
APR.	April	CV	Constant Velocity
ASSY.	Assembly	CVR.	Cover
A/T	Automatic Transmission	CYL.	Cylinder
AUG.	August		
AUTO.	Automatic	DASH.	Dashboard
		Db	Decibels
BAL.	Balance	DEC.	December
BELT.	Beltline	DEF.	Defroster
BFGR	B. F. Goodrich	DIAPH	Diaphragm
BRDG	Bridgestone	DIFF.	Differential
BRG.	Bearing	DNLP	Dunlop
BRKT.	Bracket	DOHC	Double Overhead Camshaft
BRN.	Brown		
BLK.	Black	DSL.	Diesel
BLU.	Blue	DTSS	Dynamic Tracking Suspension System
BMPR.	Bumper		
B.S.V.	Bleed Solenoid Valve	DX	Deluxe
BULL.	Bulletin		
BW	Black Wall	ECAT	Electronically Controlled A/T
		EGI	Electronic Gas Injection
		EGR	Exhaust Gas Recirculation

**ABBREVIATION LIST**

ABBREV.	MAY REPLACE	ABBREV.	MAY REPLACE
ELEC.	Electric	INN.	Inner
ENG.	Engine	INT.	Interior
ETR	Electronically Tuned Radio	INTMT.	Intermittent
EXC.	Except	INJ.	Injector, Injected
EXH.	Exhaust	I.R.S.	Independent Rear Suspension
EXT.	Extension		
EQ	Equalizer	JAN.	January
		JUL.	July
FEB.	February	JUN.	June
FED.	Federal		
F.I.	Fuel Injection	KG	Kilogram
FLEX	Flexible	KM	Kilometer
F/LID	Fuel Lid	KW	Kilowatt
FRT.	Front		
FRST	Firestone	(L), LT	Left
FSTNR.	Fastener	L=	Length
		LCD	Liquid Crystal Display
G	Gram	L/B	Long Bed
GAS.	Gasoline	LH	Left Hand
GDYR	Goodyear	LPG	Liquid Petroleum Gas
GEN.	General	L.S.D.	Limited Slip Differential
GOV.	Governor	LWR	Lower
GRN.	Green	LX	Luxury
GRY.	Gray		
GSKT.	Gasket	M	Metallic
		MAR.	March
H.A.C.	High Altitude Compensator	MC	Mica
HARN.	Harness	MCHN	Michelin
H/B	Hatchback	MLDG.	Moulding, Mould
HD.	Head	MM	Millimeter
H/DUTY	Heavy Duty	MNFLD.	Manifold
HDWE.	Hardware	MPX	Multiplex
H. ALT.	High Altitude	MSTR.	Master
HSG.	House, Housing	M/T	Manual Transmission
HTR.	Heater	MTG.	Mounting
		MTR	Manually Tuned Radio
IC	Integrated Circuit		
ID	Inside Diameter	N=	Number Of Teeth
IGN.	Ignition	N/A	Not Available
ILLUM.	Illumination, Illuminated	N/B	Notchback
		NO.	Number
INCL	Includes	NORM.	Normal
IND	Indicator	NOV.	November
INFO.	Information		
INST.	Instrument		

## ABBREVIATION LIST

ABBREV.	MAY REPLACE	ABBREV.	MAY REPLACE
OCT.	October	SPEC.	Specification
OD	Outer Diameter	SPEEDO.	Speedometer
O/DRIVE	Overdrive	SPG.	Spring
OHC	Overhead Camshaft	SPKR.	Speaker
OPT.	Optional	SPRKT.	Sprocket
O.S.	Oversize	SRS	Supplemental Restraint System
OUT.	Outer	STAB.	Stabilizer
PANSC	Panasonic	STD.	Standard
PARK.	Parking	STRG.	Steering
PB	Parking Brake	S/ROOF	Sunroof
PCV	Positive Crankcase Ventilation	SUSP.	Suspension
PIN.	Pinion	S/W	Station Wagon
PKG	Package	SW.	Switch
PLR	Pillar	SYNC.	Synchronizer
PROD.	Production	T=	Thickness
P/S	Power Steering	TEMP.	Temperature
P/TRIM	Pillar Trim	THERMO.	Thermostat
PTH	Phillips Truss Head	TMG.	Timing
PWR.	Power	T/MISSION	Transmission
QTR.	Quarter	TRK.	Truck
QTY.	Quantity	T/LID	Trunk Lid
(R), RT	Right	T/S	Touring Sedan
RH	Right Hand	TTL	Twin Trapezoidal Links
RAD.	Radiator	TURBO	Turbocharged
REINF.	Reinforcement	UP.	Upper
REG.	Regular	U.S.	Undersize
REGUL.	Regulator	VAC.	Vacuum
REL.	Release	V.G.R.	Variable Gear Ratio
REM.	Remote	VPV	Variable Port Valve
RET.	Return	VNL.	Vinyl
REV.	Reverse	W=	Width
RR.	Rear	W/	With
RWL	Raised White Letters	W/P	Water Pump
S/B	Short Bed	WGN.	Wagon
S/ROD	Shift Rod	WHL.	Wheel
S/S	Supercession	W/O	Without
SDN.	Sedan	WHT.	White
SEP.	September	W/SHIELD	Wind Shield, Screen
SERV.	Service	WTR.	Water
SLND.	Solenoid	W/W	White Walls
SOHC	Single Overhead		

# **MAZDA**

## **1981-83 RX-7 ACCESSORIES**

---

### **AERO**

0000-86-2200 - 1979-85, Lip Spoiler

### **AIR CONDITIONER**

Refer to Accy. Bulletin XA-1 for Air Conditioner information.

### **ARM REST**

Refer to Accy. Bulletin XN-1 for replacement parts.

### **BATTERY**

0000-80-124K - 1979-83, ALL  
Refer to Accy. Bulletin XG-4 for Battery information.

### **BLOCK HEATER**

0000-88-6600 - ALL, Rotary Engine  
Refer to Accy. Bulletin XG-5 for installation information.

### **CIGARETTE LIGHTERS**

0000-88-209 -16 - 1981-82, All

### **DOOR EDGE GUARDS**

0000-88-3199-BK - ALL, Black Universal Type

### **FRONT MASK**

0000-88-0581-AS - 1981-83, W/O Air Dam

### **PAINT**

Refer to Accy. Bulletin XE-2 for Touch-Up Paint information.

### **STEREO EQUIPMENT**

Refer to Accy. Bulletins XS-1, XS-2, and XS-3 for Audio information.

### **SUNROOF**

0000-86-2600 - 1980-85, Moonroof  
0000-86-2600-KT - 1980-85, Left & Right Hinge  
0000-86-2600-CP - 1980-85, Cap Nut Set  
8346-62-885 - 1980-85, Slide Hook Latch

### **TIRES**

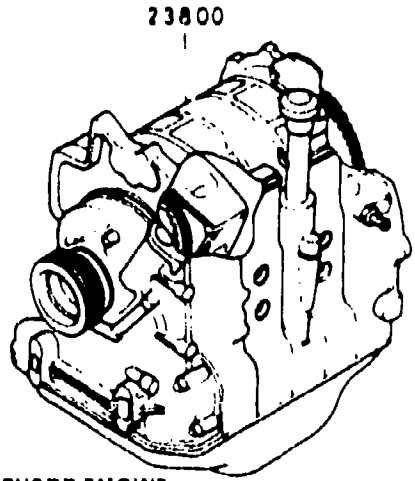
Refer to Accy. Bulletins XE-1 for Tire information.

# SECTION INDEX -- ENGINE

STARTING LOCATION	SECT. NO.	SECTION NAME	STARTING LOCATION	SECT. NO.	SECTION NAME	STARTING LOCATION	SECT. NO.	SECTION NAME
1 - C 3	1000A	SHORT ENGINE BLOCK & GASKET SETS	1 - E 6	1930A	CLUTCH & PLANETARY GEAR (AUTOMATIC TRANSMISSION)			
1 - D 3	1030A	ROTOR HOUSING	1 - G 4	1940A	LOW, REVERSE & GOVERNOR (AUTOMATIC TRANSMISSION)			
1 - E 3	1040A	OIL PAN & REAR HOUSING	1 - H 6	1950A	MANUAL LINKAGE (AUTOMATIC TRANSMISSION)			
1 - G 3	1100A	ECCENTRIC SHAFT & FLYWHEEL						
1 - H 3	1110A	ROTOR & RELATED						
1 - I 3	1300A	INTAKE MANIFOLD						
1 - J 3	1310A	EXHAUST MANIFOLD						
1 - K 3	1320A	FUEL SYSTEM						
1 - L 3	1330A	AIR CLEANER						
1 - M 3	1350A	STARTING ASSIST SYSTEM						
1 - N 3	1359A	CARBURETOR, REPAIR KIT, GASKET SET & SCREW SET						
1 - C 4	1360A	CARBURETOR COMPONENTS						
1 - E 4	1371A	EMISSION CONTROLS (AIR PUMP & CONTROL VALVE)						
1 - F 4	1380A	EMISSION CONTROLS (EXHAUST SIDE) ('81 & '82 MODELS)						
1 - H 4	1380AA	EMISSION CONTROLS (EXHAUST SIDE) ('83 MODEL)						
1 - I 4	1400A	OIL PUMP & FILTER ('81 & '82 MODELS)						
1 - J 4	1400AA	OIL PUMP & FILTER ('83 MODEL)						
1 - K 4	1500A	COOLING SYSTEM ('81 & '82 MODELS)						
1 - M 4	1500AA	COOLING SYSTEM ('83 MODEL)						
1 - N 4	1580A	COMPRESSOR BRACKET, PULLEY & BELT (A-C)						
1 - C 5	1600A	CLUTCH (MANUAL)						
1 - D 5	1700A	TRANSMISSION CASE (MANUAL)						
1 - E 5	1710A	TRANSMISSION GEAR (MANUAL)						
1 - G 5	1720A	CHANGE CONTROLS (MANUAL)						
1 - H 5	1800A	ELECTRICAL SYSTEM (ENGINE)						
1 - I 5	1820A	DISTRIBUTOR						
1 - J 5	1830A	ALTERNATOR						
1 - K 5	1840A	STARTER						
1 - M 5	1850A	BATTERY & CABLES						
1 - N 5	1910A	CONVERTER, OIL PUMP & PIPING (AUTOMATIC TRANSMISSION)						
1 - C 6	1920A	CASE & MAIN CONTROLS (AUTOMATIC TRANSMISSION)						

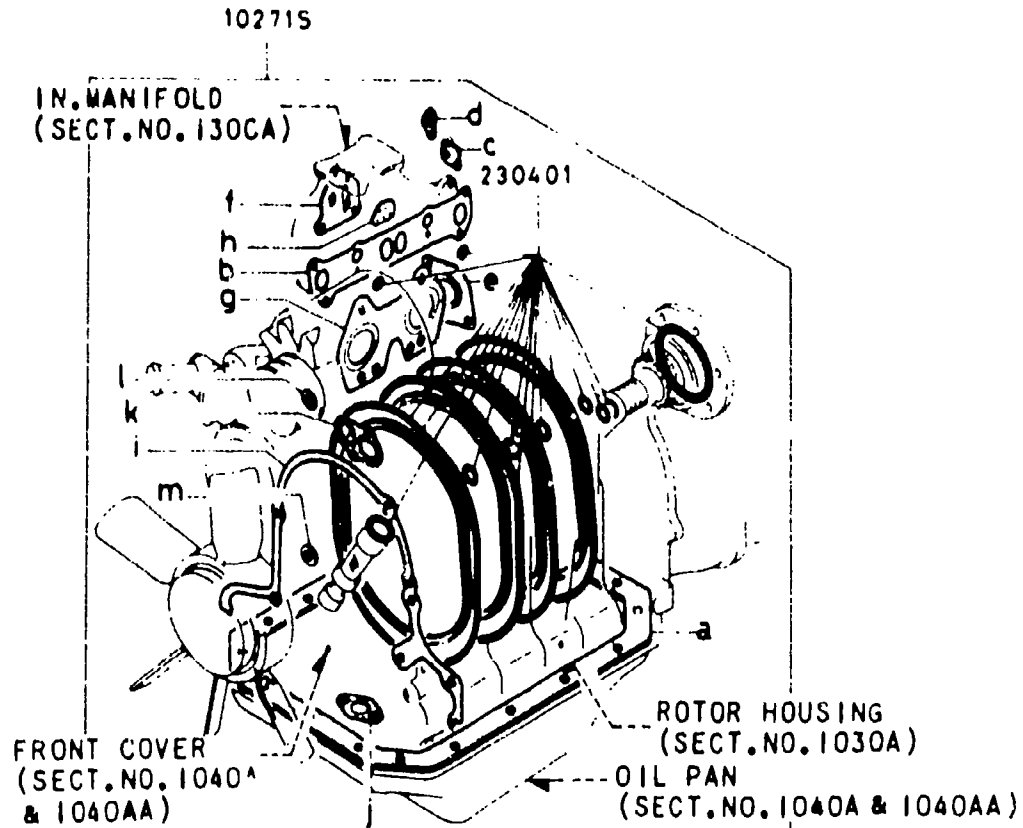


**1000A-1 SHORT ENGINE BLOCK & GASKET SETS**



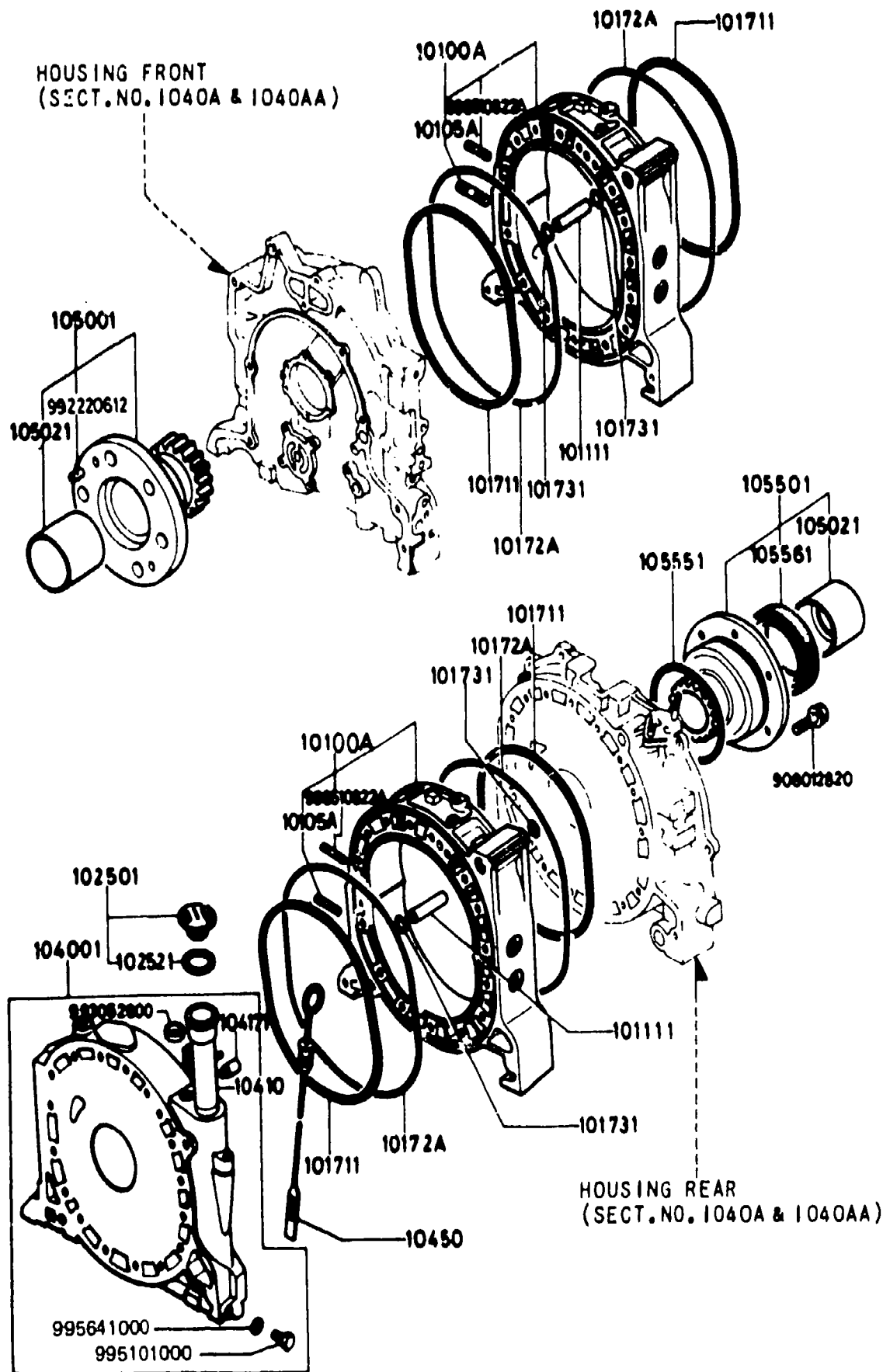
**SHORT ENGINE**

- a-GASKET,OIL PAN.....(1)
- b-GASKET,IN.MANIFOLD.....(1)
- c-GASKET,PRE AIR PIPE.....(1)
- d-GASKET,SHUTTER VALVE.....(1)
- e-GASKET,EX.PIPE.....(1)
- f-GASKET,A.C.VALVE.....(1)
- g-GASKET,EX.MANIFOLD.....(1)
- h-GASKET,A.L.C.VALVE.....(1)
- i-GASKET,FRONT COVER.....(1)
- j-GASKET,OIL STRAINER.....(1)
- k-GASKET,WATER PUMP.....(1)
- l-GASKET,WATER PUMP.....(2)
- m-GASKET,PULLY.....(1)



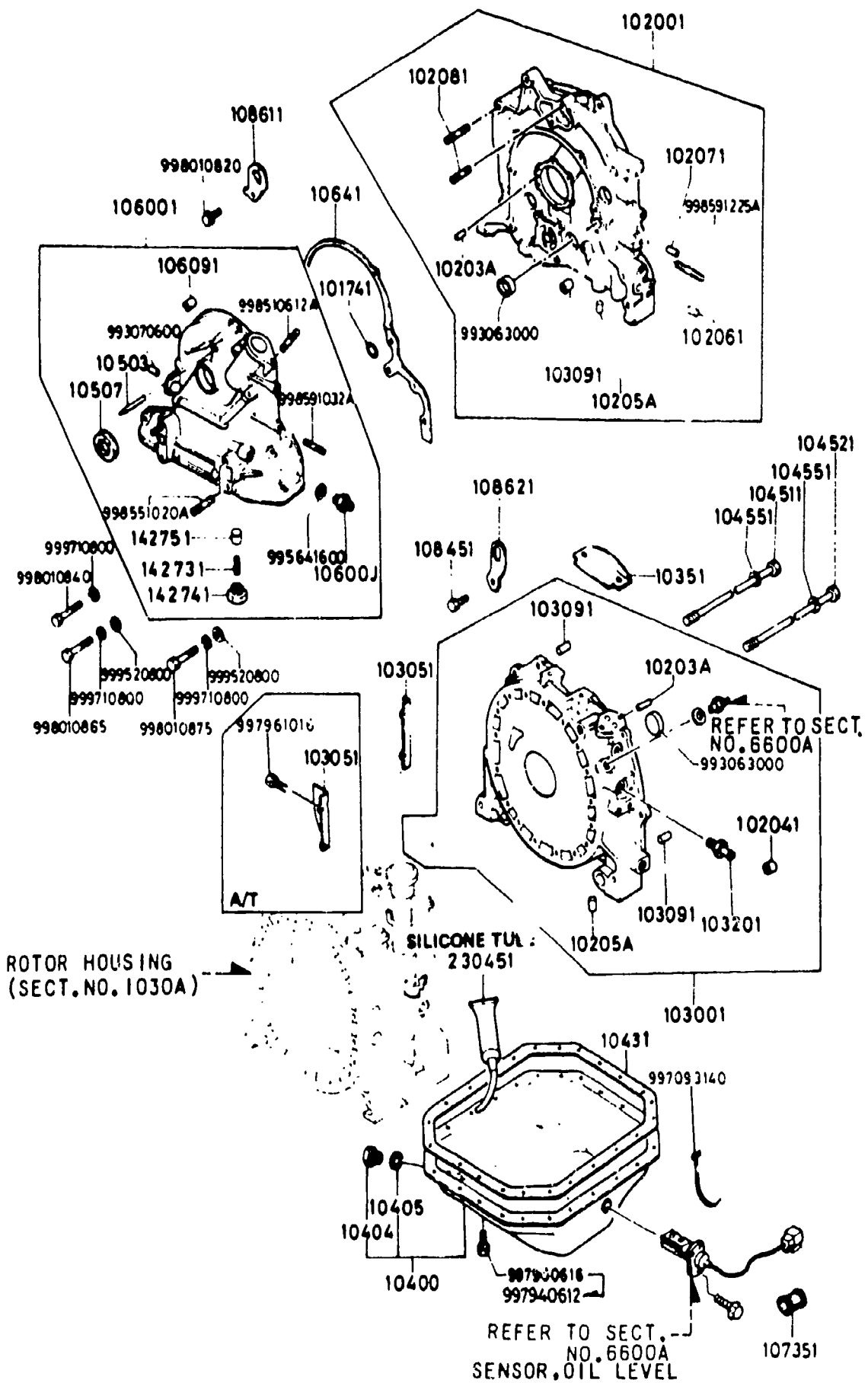
ITEM NO.	D-CODE	DESCRIPTION	PART NO.	QTY	MODEL/DESCRIPTION	REMARKS
	10 2715	GASKET SET, ENGINE	N201-99-100	1	'81 & '82 MODELS	
			N231-99-100	1	'83 MODEL	
	23 0401	O-RING SET	1757-23-040B	1		
	23 800	ENGINE BLOCK, SHORT	N201-23-200	1	'81 & '82 MODELS M/T	
		REFER TO PARTS BULL. NOS. R-6 & R-8 FOR MANA ENGINE PROGRAM.				
			N202-23-200	1	'81 & '82 MODELS A/T	
			N231-23-200	1	'83 MODEL M/T	
			N232-23-200	1	'83 MODEL A/T	

# 1030A-1 ROTOR HOUSING



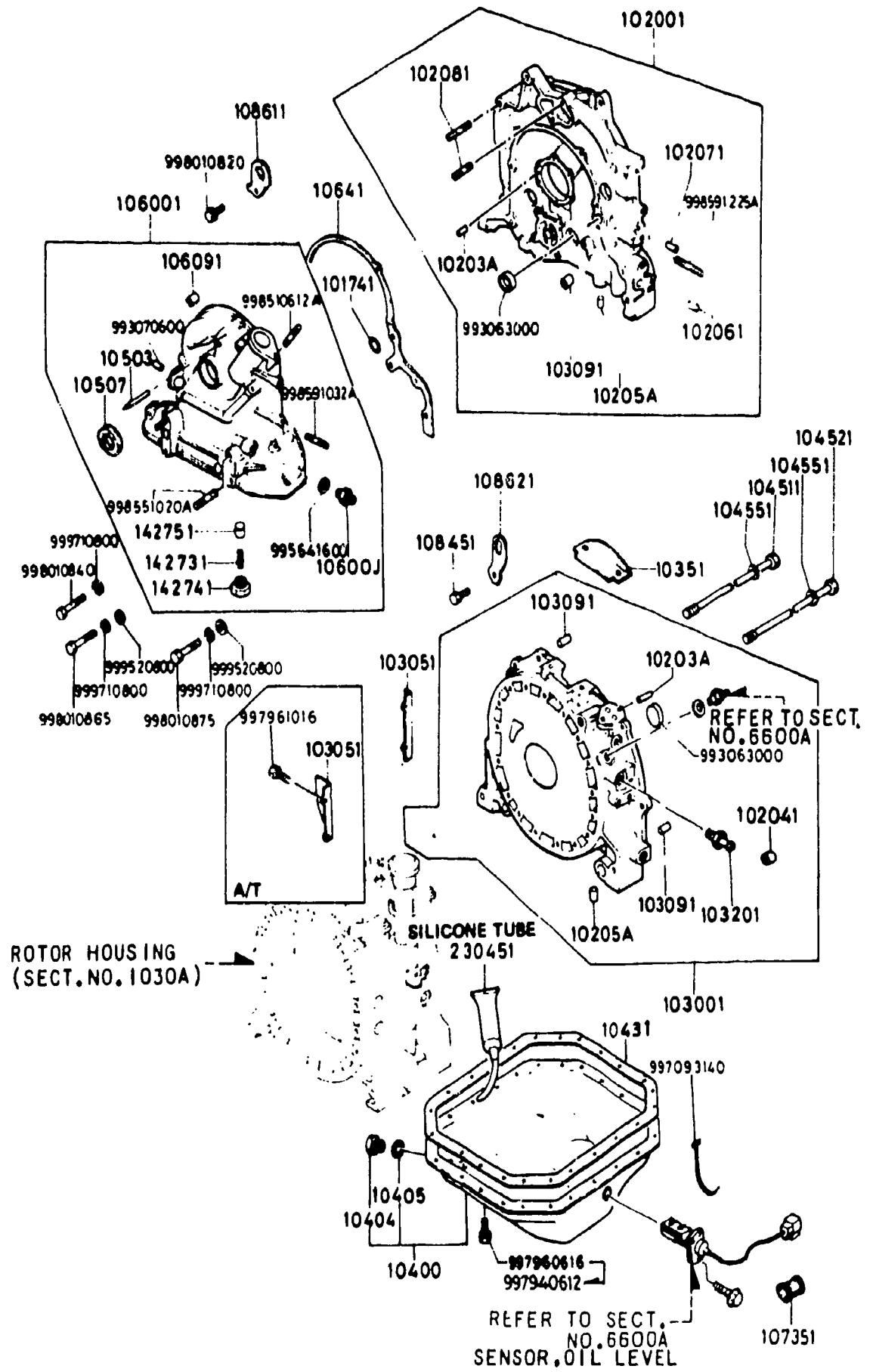
ITEM NO.	D-CODE	DESCRIPTION	PART NO.	QTY	MODEL/DESCRIPTION	REMARKS
	10 100A	HOUSING, ROTOR	N201-10-100	2		
	10 105A	STUD, REACTOR	0839-10-105	4		
	10 1111	DOWEL, TUBULAR	0839-10-111B	4		
	10 1711	RING, SQUARE	1757-10-171A	4		
	10 172A	RING, SQUARE-OUTER	1480-10-172	4		
	10 1731	O-RING	N231-10-173	4		
	10 2501	CAP, OIL FILLER	8871-10-250A	1		
	10 2521	GASKET, OIL CAP	8871-10-252	1		
	10 4001	HOUSING, INTERMEDIATE	8341-10-400	1		
	10 410	PIPE, OIL FILLER	3565-10-410A	1		
	10 4171	JOINT, PIPE	8562-10-417	1		
	10 450	DIPSTICK	N201-10-830	1		
	10 5001	GEAR, STATIONARY-FRONT	3743-10-500	1		
	10 5021	BEARING, MAIN	0820-10-502B	2		
	10 5501	GEAR, STATIONARY-REAR	3743-10-550A	1		
	10 5551	O-RING	0813-10-555A	1		
	10 5561	SEAL, OIL	1668-10-556A	1		

**1040A-1 OIL PAN & REAR HOUSING**



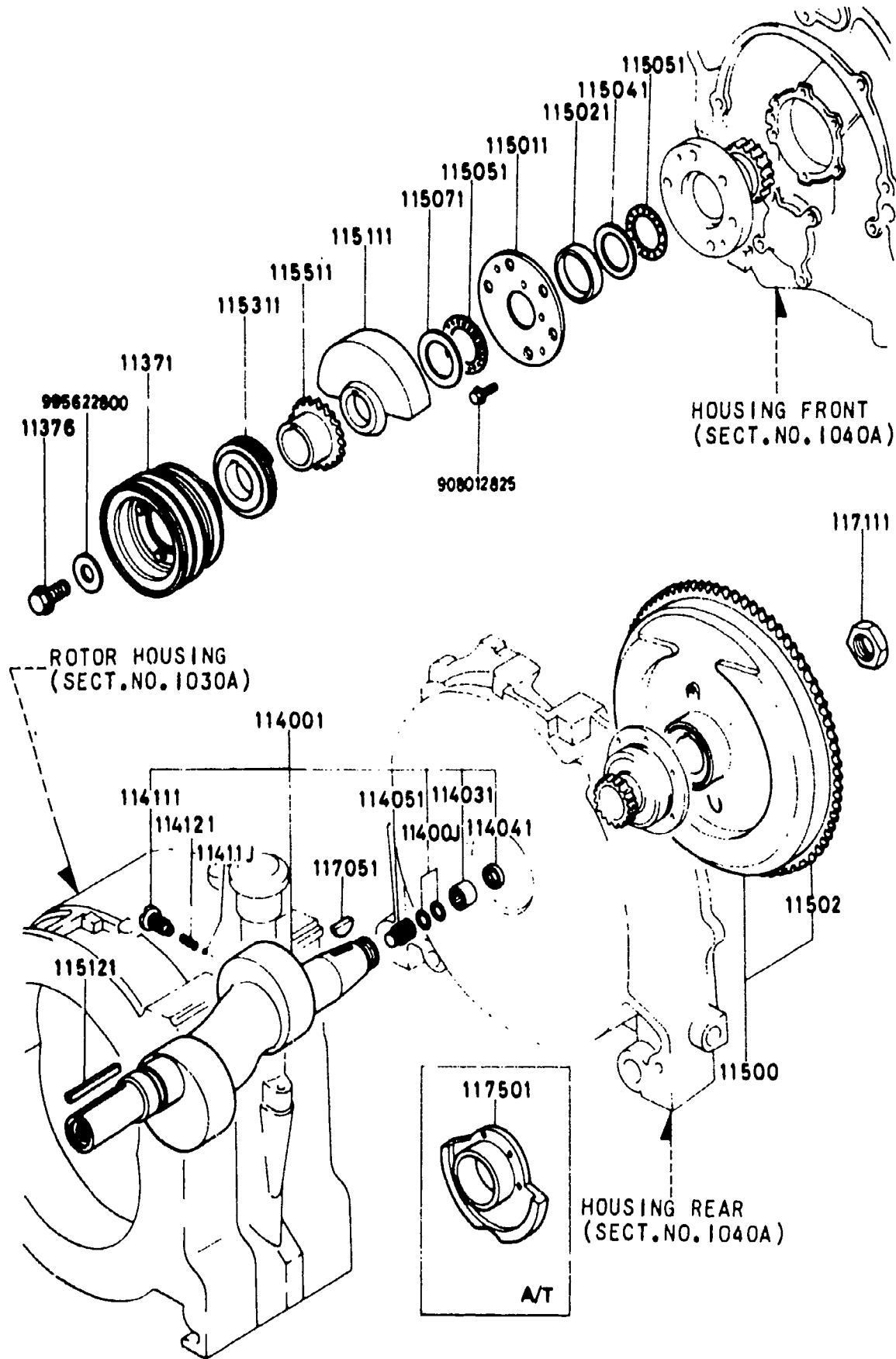
ITEM NO.	D-CODE	DESCRIPTION	PART NO.	QTY	MODEL/DESCRIPTION	REMARKS
10 1741		O-RING	N231-10-174	1		
10 2001		HOUSING, FRONT	8981-10-200	1		
			<C> 8981-10-200B	1		REQUIRES WASHER: 9995-21-200
10 203A		PIN, DOWEL	0839-10-203	2		
10 2041		DOWEL, TUBULAR	1757-10-309	2		
10 205A		PLUG, BLIND	8562-10-205	4		
10 2061		PLUG, BLIND	1757-10-206A	1		
10 2071		PLUG, BLIND	1757-10-207A	1		
10 2081		STUD	1757-10-208	4		
10 3001		HOUSING, REAR	N201-10-300A	1	'81 & '82 MODELS	
			N231-10-300A	1	'83 MODEL	
10 3051		COVER, DUST	1480-10-305	1	M/T	
			1481-10-305	1	A/T	
10 3091		PIN, TUBULAR	1757-10-309	2	'81 & '82 MODELS	
				4	'83 MODEL	
10 3201		CONNECTOR, HOSE	0866-10-320A	1	'81 MODEL	
10 351		COVER, DUST	1758-10-351	1	'81 & '82 MODELS M/T	
			N231-10-351A	1	'83 MODEL M/T	
10 400		PAN, OIL	N201-10-700A	1	CAL.	
			N203-10-700	1	FED.	
10 404		PLUG, DRAIN	9951-11-400	1		
			<AN> HE03-10-404	1		
10 405		GASKET, DRAIN PLUG	9956-41-400	1		
10 431		GASKET, OIL PAN	0839-10-711	1		
10 4511		BOLT, TENSION	1015-10-451B	16		
10 4521		BOLT, TENSION	1015-10-452A	1		
10 4551		WASHER, SEAL	0839-10-455	17		
10 503		PIN, TOP INDICATOR	8871-10-631A	1		
10 507		SEAL, OIL	0820-10-605	1		
10 6001		COVER, FRONT	1480-10-600A	1		
10 600J		JOINT, UNION	9938-41-200F	1		
10 6091		PIN, SPRING	1757-10-609	1		
10 641		GASKET, FRONT COVER	8527-10-641	1		
10 7351		PROTECTOR	N231-10-735	1	'83 MODEL	
10 8451		BOLT	8555-10-845	1		
10 8611		HANGER, ENGINE	N225-10-861	1		
10 8621		HANGER, ENGINE	8871-10-862	1		
14 2731		SPRING	0839-14-273A	1	'81 & '82 MODELS	

# 1040A-2 OIL PAN & REAR HOUSING



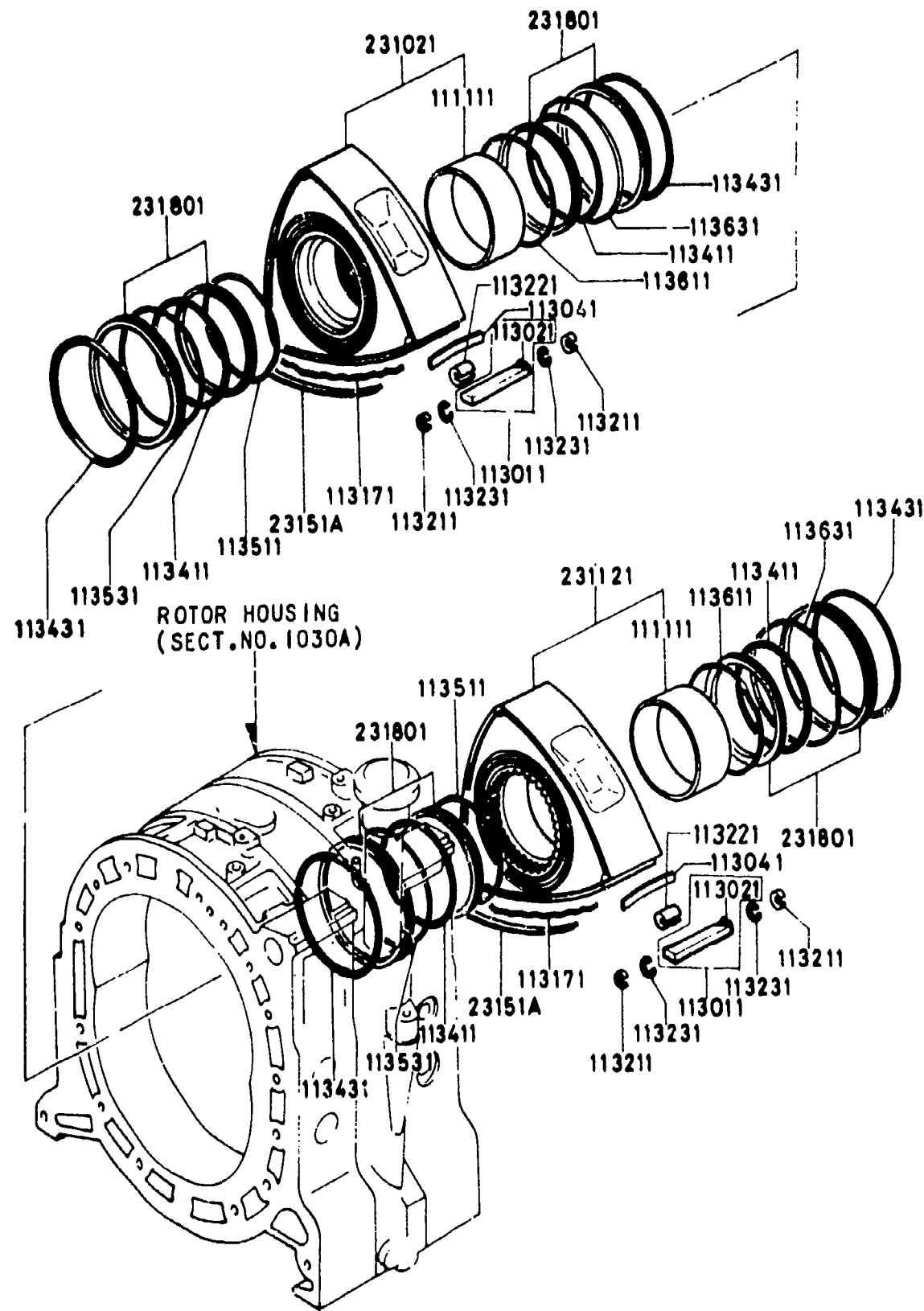
ITEM NO.	D-CODE	DESCRIPTION	PART NO.	QTY	MODEL/DESCRIPTION	REMARKS
					'83 MODEL	
	14 2731 (CONT'D)		N231-14-273	1		
	14 2741	PLUG	0839-14-274	1		
	14 2751	PLUNGER, CONTROL	0839-14-115	1		
	23 0451	SEALANT, SILICONE	8527-77-739	1	TUBE	

# 1100A-1 ECCENTRIC SHAFT & FLYWHEEL



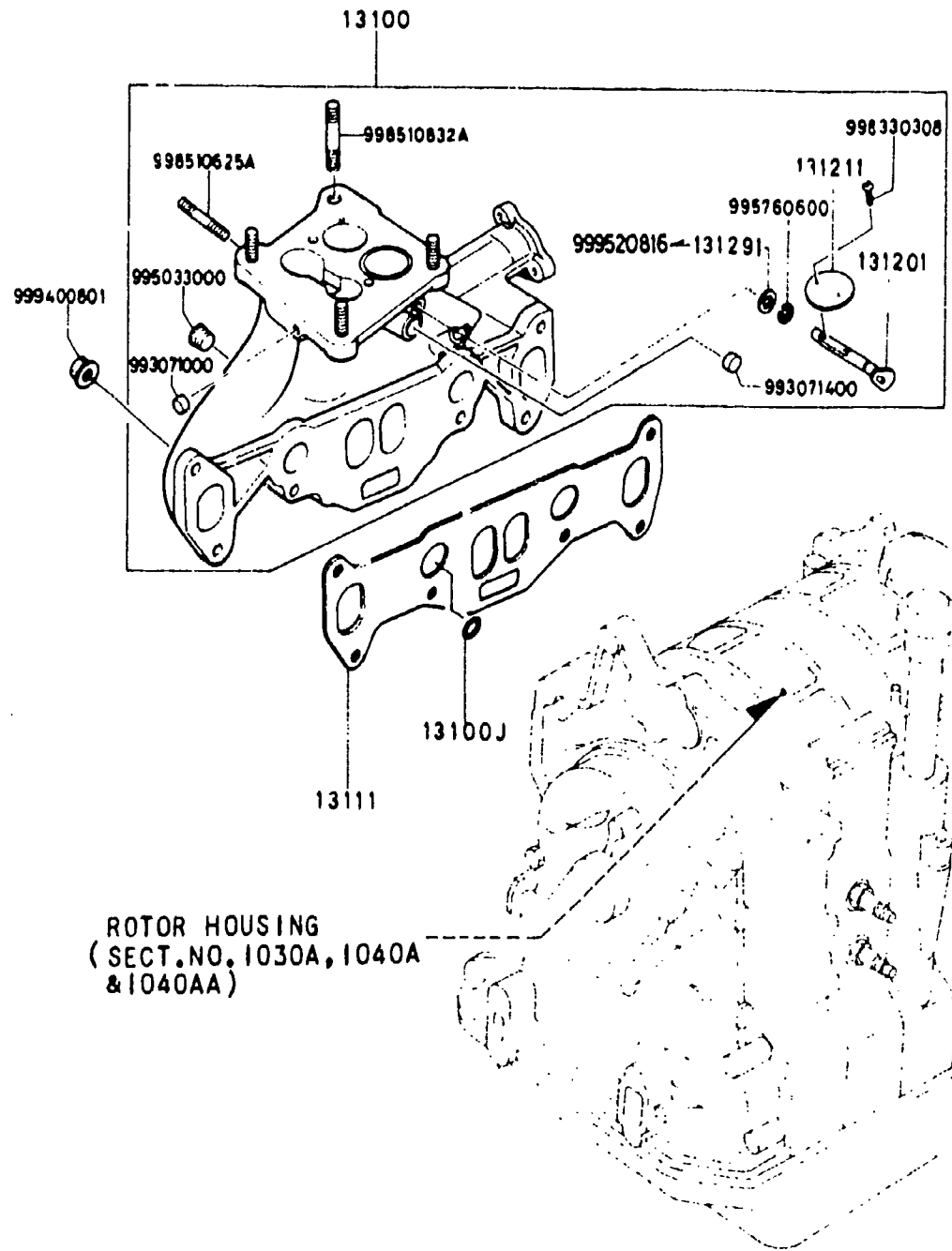
ITEM NO.	D-CODE	DESCRIPTION	PART NO.	QTY	MODEL/DESCRIPTION	REMARKS
11 371		PULLEY, CRANKSHAFT	8649-11-600	1		
11 376		BOLT, PULLEY	0820-11-611B	1		
11 4001		SHAFT, ECCENTRIC	N201-11-400	1	M/T	
			1883-11-400A	1	A/T	
11 400J		O-RING	9954-10-1101	2	THRU DEC. '81 PROD.	FB331 ..500001-629394
11 4031		BEARING, NEEDLE	N326-11-D03	1	M/T	
11 4041		SEAL, OIL	1881-11-404	1	M/T	
11 4051		PLUG, BLIND	0813-11-405	1	'82 MODEL	FB331 ..629394-
11 4111		PLUG, OIL JET	0839-11-411A	2		
11 411J		BALL, STEEL	9961-12-000	2		
11 4121		SPRING	0839-11-412	2		
11 500		FLYWHEEL	N201-11-700	1	'81 - '82	
			N231-11-700A	1	'83	
11 5011		PLATE	1011-11-501	1		
11 502		GEAR, RING	0866-11-702	1	M/T	
11 5021		SPACER	0839-11-509	1	(L=8.00)	
			0839-11-502	1	(L=8.02)	
			0839-11-508	1	(L=8.04)	
			8519-11-517	1	(L=8.06)	
			0839-11-506	1	(L=8.08)	
11 5041		PLATE, THRUST	1011-11-504	1		
11 5051		BEARING, NEEDLE	0813-11-505B	2		
11 5071		WASHER, THRUST	1011-11-507	1		
11 5111		WEIGHT, BALANCE	N201-11-511	1	M/T	FB331 .. 500001-500075
			1881-11-511	1	'81 MODEL A/T	
			N226-11-511A	1	A/T	FB331 ..500076-
				1	'83 MODEL	
11 5121		KEY	9923-60-571	1		
11 5311		GEAR, DRIVE	0839-11-531	1		
11 5511		GEAR, DRIVE-OIL PUMP	0839-11-551A	1		
11 7051		KEY, FLYWHEEL	0820-11-705	1		
11 7111		NUT, LOCK	0810-11-711	1		
11 7501		WEIGHT, CONTROL	1883-11-751A	1	'81 & '82 MODELS	
				1	A/T	
			N226-11-751A	1	'83 MODEL	
				1	A/T	

1110A-1 ROTOR & RELATED



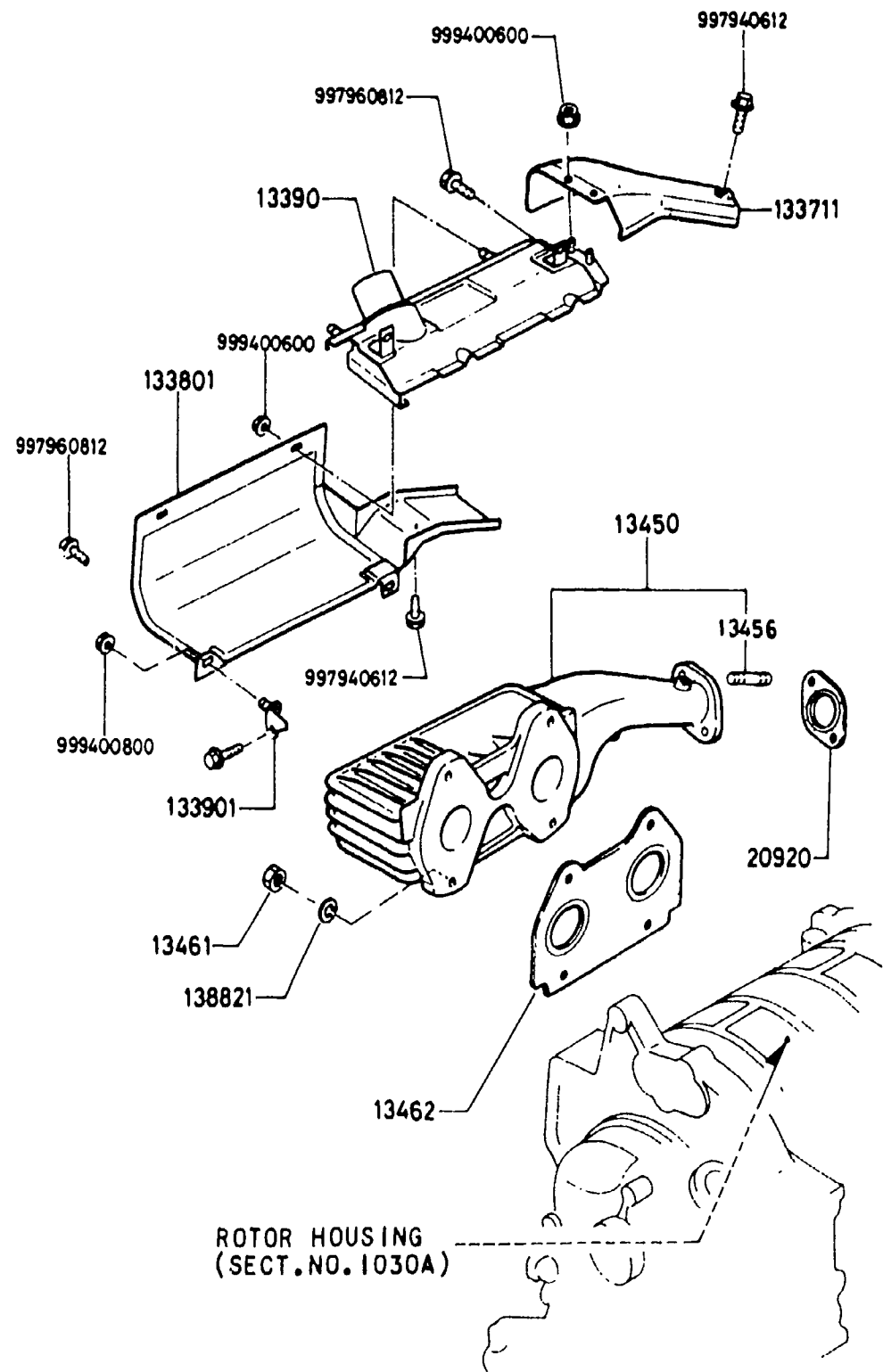
ITEM NO.	D-CODE	DESCRIPTION	PART NO.	QTY	MODEL/DESCRIPTION	REMARKS
	11 1111	BEARING, ROTOR	1011-11-111	2		
	11 3011	SEAL, APEX	N201-11-300A	6		
	11 3021	PIECE, SIDE	N201-11-302A	6		
	11 3041	SPRING, APEX SEAL	1011-11-304B	6		
	11 3171	SPRING, SIDE SEAL	0820-11-317	12		
	11 3211	SEAL, CORNER	1202-11-321	12	'81 & '82 MODELS	
			N225-11-321	12	'83 MODEL	
	11 3221	PLUG, CORNER SEAL	N201-11-322	12		
	11 3231	SPRING, CORNER SEAL	1202-11-323A	12		
	11 3411	O-RING, INNER	0820-11-341	4		
	11 3431	O-RING, OUTER	1202-11-343	4		
	11 3511	SPRING, FRONT-INNER	1011-11-351	2	'81 & '82 MODELS	
			N225-11-351	2	'83 MODEL	
	11 3531	SPRING, FRONT-OUTER	1011-11-353A	2		
	11 3611	SPRING, REAR-INNER	1011-11-361	2	'81 & '82 MODELS	
			N225-11-361	2	'83 MODEL	
	11 3631	SPRING, REAR-OUTER	1011-11-363A	2		
	23 1021	ROTOR, FRONT	1480-23-103	1	'81 & '82 MODELS	
			N225-23-103	1	'83 MODEL	
	23 1121	ROTOR, REAR	1480-23-113	1	'81 & '82 MODELS	
			N225-23-113	1	'83 MODEL	
	23 151A	SEAL, SIDE	1011-23-151A	12		
	23 1801	SEAL SET, OIL	8871-23-180	4		

# 1300A-1 INTAKE MANIFOLD



ITEM NO.	D-CODE	DESCRIPTION	PART NO.	QTY	MODEL/DESCRIPTION	REMARKS
13 100		MANIFOLD, INTAKE	N201-13 100A	1		
13 100J		O-RING	8527-13-113	2		
13 111		GASKET, INTAKE MANIFOLD	1881-13-111A	1		
13 1201		SHAFT, VALVE	1480-13-120A	1		
13 1211		VALVE	N201-13-121	1		
13 1291		PLATE, THRUST	1480-13-129	1	'81 MODEL	FB331 ..500001-507334

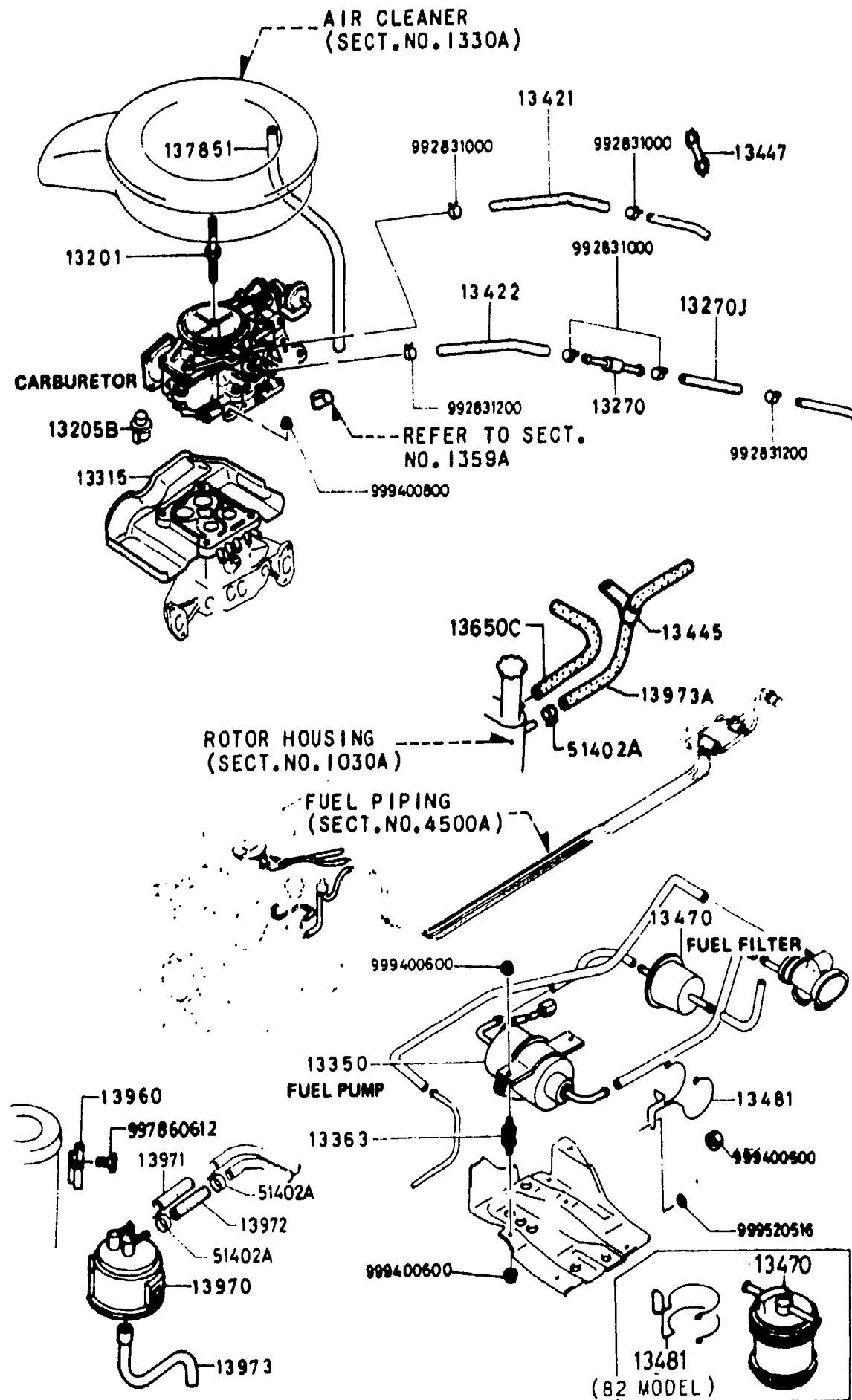
**1310A-1 EXHAUST MANIFOLD**



ITEM NO.	D-CODE	DESCRIPTION	PART NO.	QTY	MODEL/DESCRIPTION	REMARKS
	13 3711	INSULATOR, HEAT	1480-13-370	1		
	13 3801	PLATE, ABSORBER	1480-13-380A	1		
	13 390	DUCT, HOT AIR	1480-13-330	1		
	13 3901	BRACKET, ABSORBER	3565-13-390	1		
	13 450	MANIFOLD, EXHAUST	1480-13-600B	1		
	13 456	STUD	2329-13-876	2		
		<AN>	1757-13-857	2		
	13 461	NUT	8134-40-355	4		
	13 462	GASKET, EXHAUST MANIFOLD	1480-13-889A	1		
	13 8821	WASHER, SPRING	9997-11-000	4		
	20 920	GASKET, EXHAUST PIPE	1480-13-621	1		

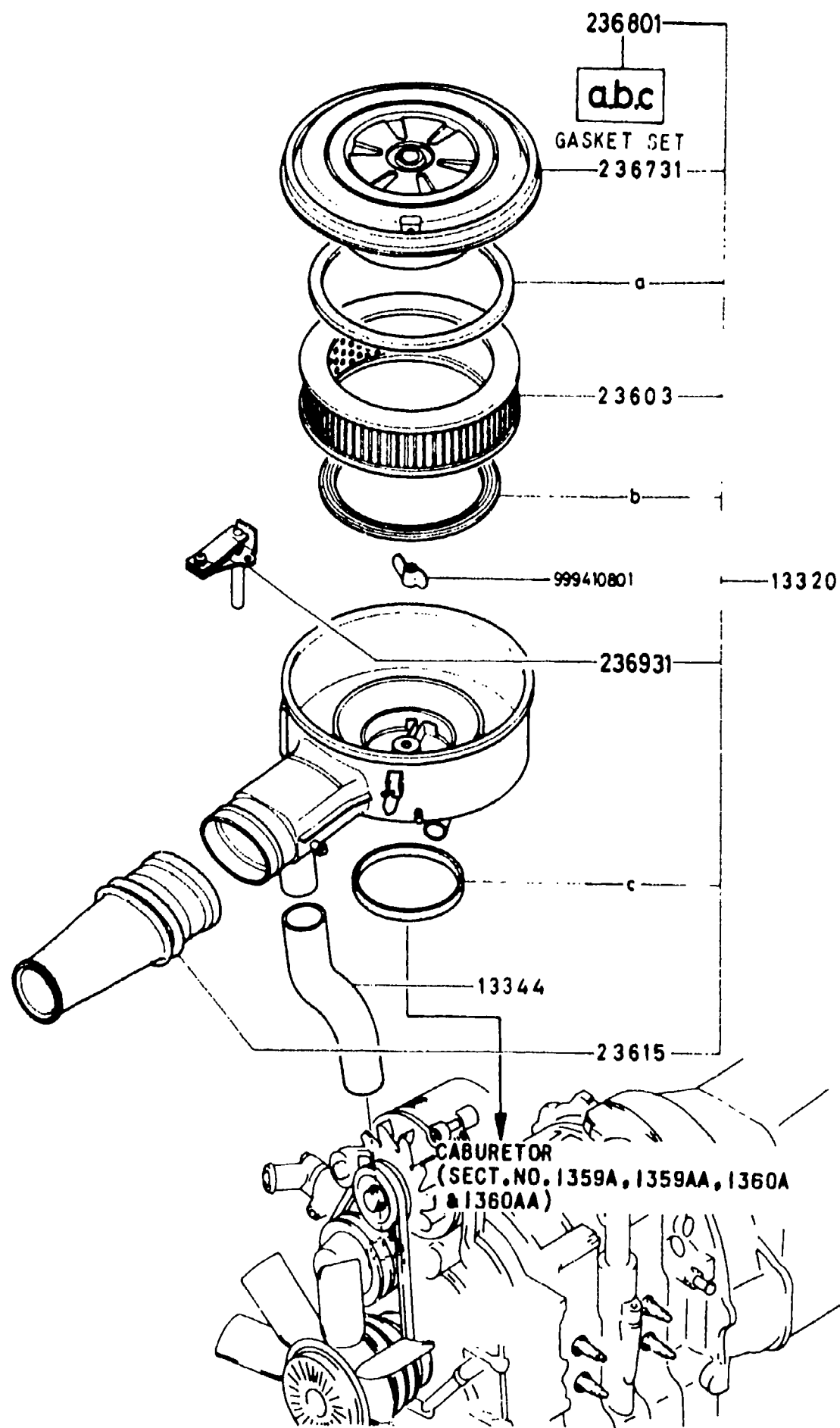


# 1320A-1 FUEL SYSTEM



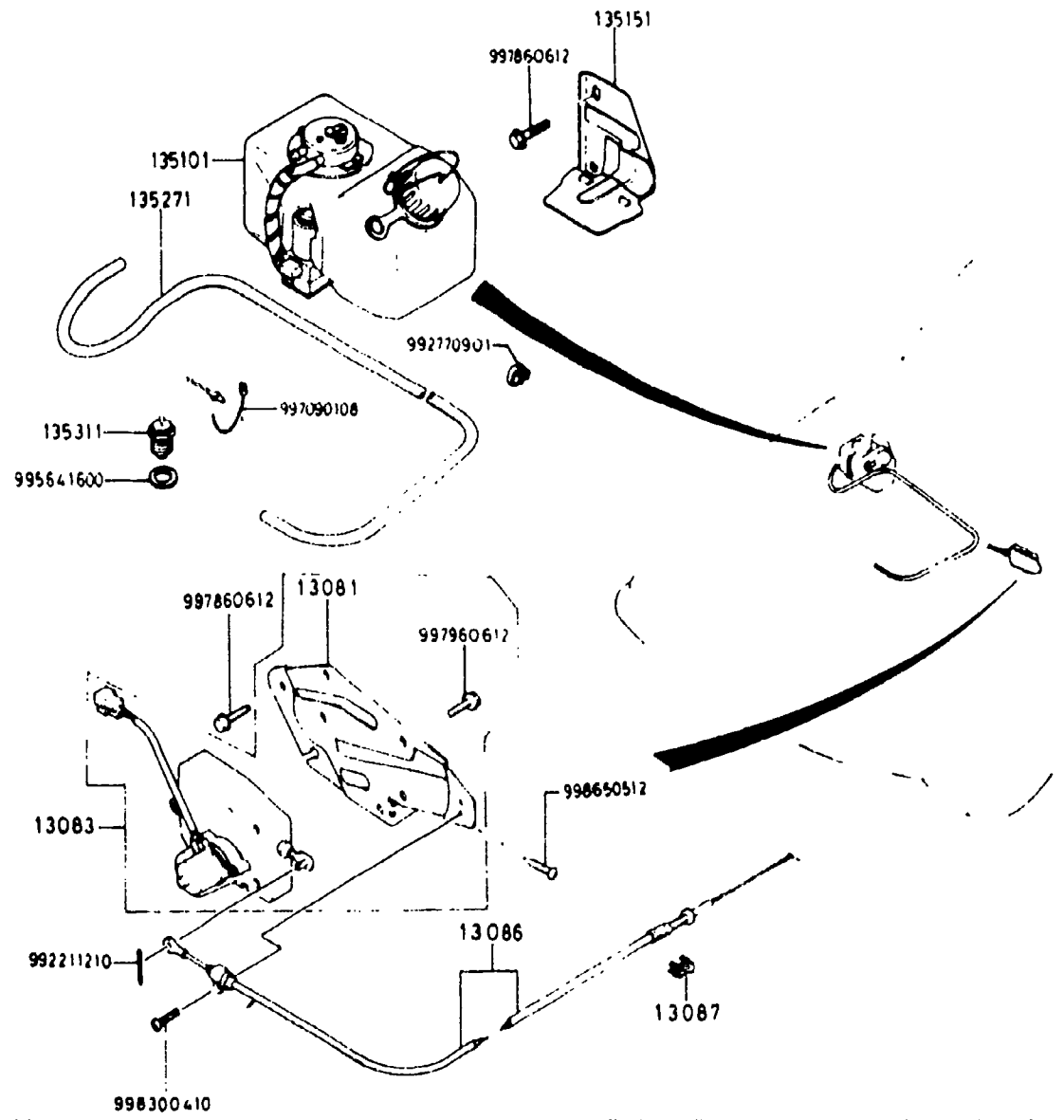
ITEM NO.	D-CODE	DESCRIPTION	PART NO.	QTY	MODEL/DESCRIPTION	REMARKS
	13 201	BOLT, AIR CLEANER	8871-13-201A	1		
	13 205B	CAP, IDLE SWITCH	1481-13-205C	1		
	13 270	VALVE, CHECK	3648-13-270A	1		
	13 270J	HOSE, FUEL	9935-80-6999		BULK QTY.	
	13 315	INSULATOR	1480-13-220B	1		
	13 350	PUMP, FUEL	8871-13-400B	1	'81 & '82 MODELS	
			N249-13-400B	1	'83 MODEL	
	13 363	RUBBER, INSULATION	8871-13-407	2		
	13 421	HOSE, FUEL MAIN	9935-80-8999		BULK QTY.	
	13 422	HOSE, FUEL RETURN	9935-80-6999		BULK QTY.	
	13 445	CLIP	1480-13-445	1	'81 MODEL	FB331 ..500001-507334
	13 447	CLIP	N201-13-445	1		
	13 470	FILTER, FUEL	0222-13-470B	1	'81 MODEL	FB331 ..500001-610655
			E508-13-470	1	'82 & '83 MODELS	FB331 ..610656-
		REFER TO SERV. BULL. NO. 033/81, CAT. 4 FOR MORE INFO.				
	13 481	CLAMP, FUEL FILTER	0381-13-481	1	'81 MODEL	FB331 ..500001-610655
			E508-13-481	1	'82 & '83 MODELS	FB331 ..610656
	13 650C	HOSE, AIR	9935-10-8999		BULK QTY.	
	13 7851	HOSE, VENTILATION	8871-13-785C	1		
	13 960	BRACKET, CANISTER	N201-20-611	1		
	13 970	CANISTER	N201-20-610A	1	'81 & '82 MODELS	
			N221-99-041	1	'83 MODEL	
		REFER TO RECALL CAMPAIGN NO. 21605 FOR MORE INFO.				
	13 971	HOSE, VENTILATION	9935-10-8999		BULK QTY.	
	13 972	HOSE, EVAPORATION	9935-10-4999		BULK QTY.	
	13 973	HOSE, DRAIN	N201-20-613	1	'81 MODEL	FB331 ..500001-509606
	13 973A	HOSE, EVAPORATION	9935-10-8999		BULK QTY.	
	51 402A	CLIP	3972-51-402	2	'81 MODEL	FB331 ..500001-507334

**1330A-1 AIR CLEANER**

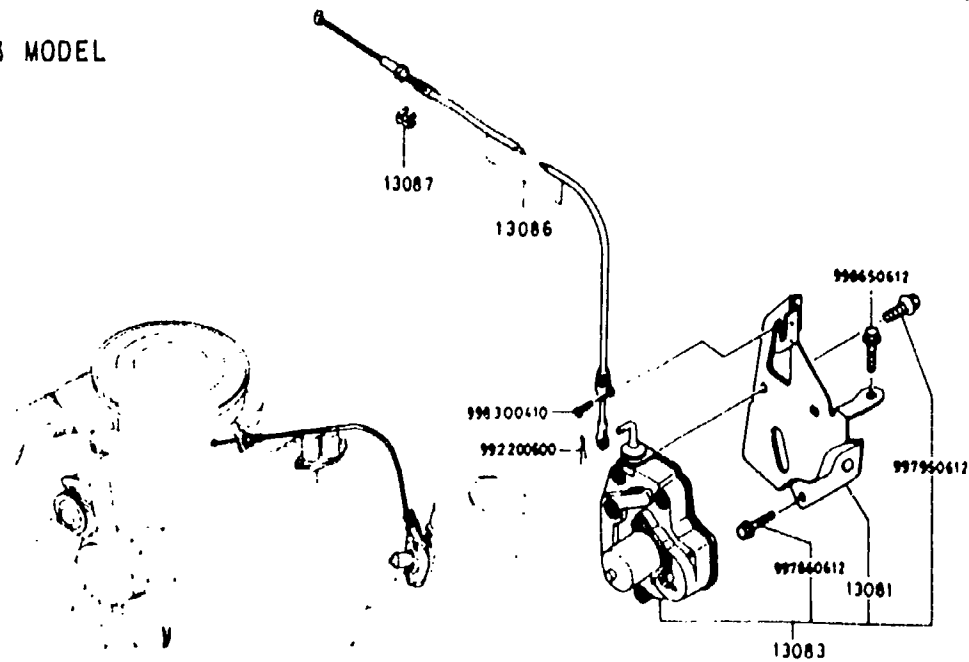


ITEM NO.	D-CODE	DESCRIPTION	PART NO.	QTY	MODEL/DESCRIPTION	REMARKS
13 320		CLEANER, AIR	N201-13-300	1		
13 344		HOSE, HOT AIR	8871-13-341A	1		
23 603		ELEMENT, AIR CLEANER	8341-23-672	1		
23 615		PIPE, AIR INTAKE	1757-13-351A	1		
23 6731		COVER	8245-23-673	1		
23 6801		GASKET SET	1757-23-680	1		
23 6931		COMPENSATOR	3648-23-693A	1		

# 1350A-1 STARTING ASSIST SYSTEM



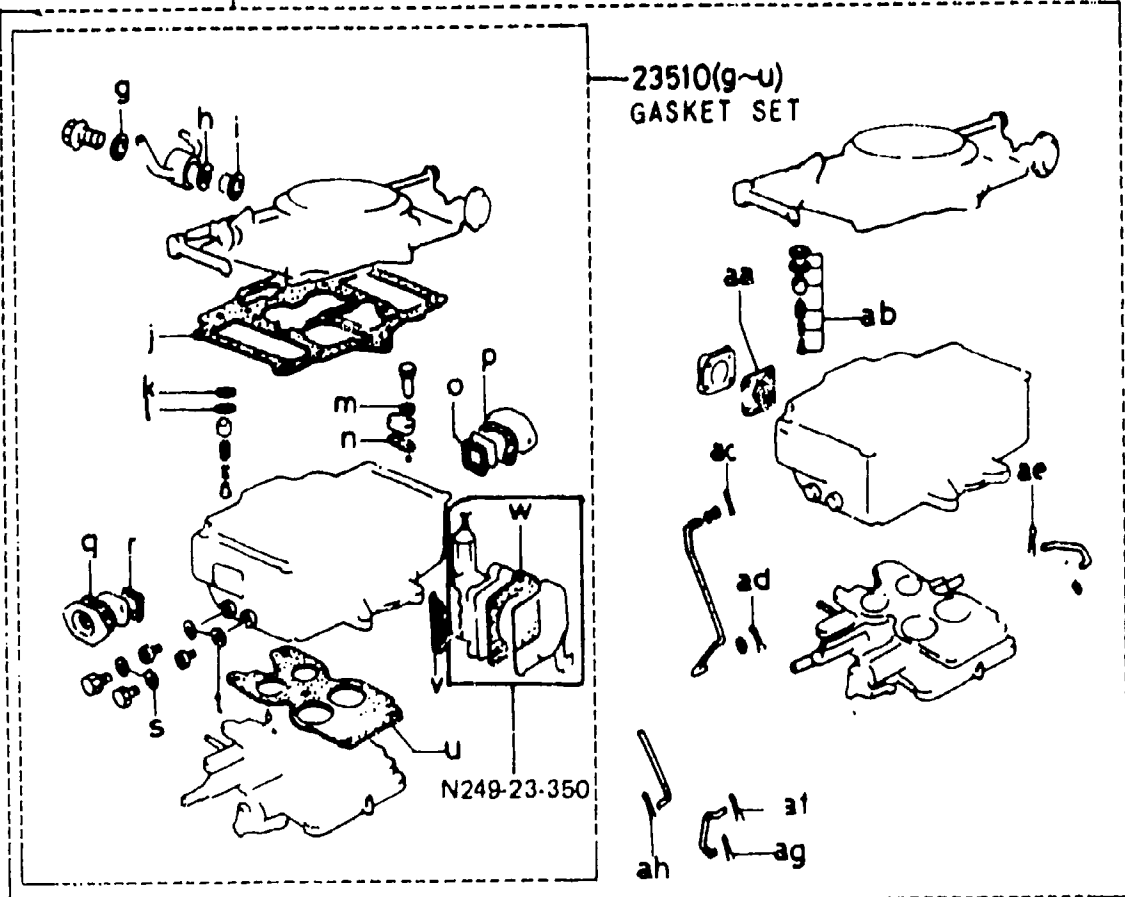
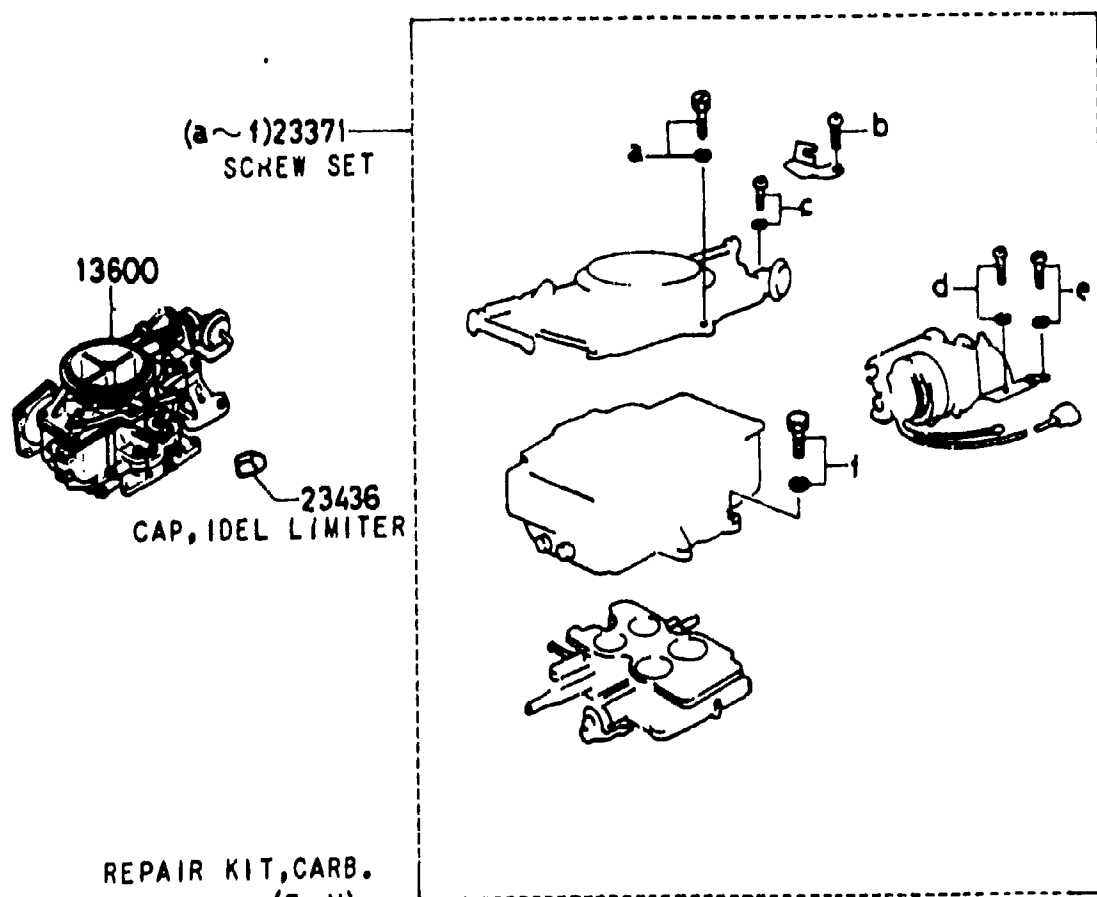
83 MODEL



ITEM NO.	D-CODE	DESCRIPTION	PART NO.	QTY	MODEL/DESCRIPTION	REMARKS
	13 081	BRACKET	8871-13-085B	1	'81 & '82 MODELS	
			N229-13-081	1	'83 MODEL	
	13 083	MOTOR	8341-13-085	1	'81 & '82 MODELS	
			N229-13-085	1	'83 MODEL	
	13 086	WIRE	8871-13-086B	1	'81 & '82 MODELS	
			N225-13-086A	1	'83 MODEL	
	13 087	SPRING	8871-13-087A	2		
	13 5101	TANK, STARTING FLUID	1881-13-510G	1		
	13 5151	BRACKET, TANK	1757-13-515A	1	FED.	
	13 5271	HOSE	8871-13-527	1	FED.	
	13 5311	THERMO UNIT	8712-13-531	1	FED.	

1359A-1

CARBURETOR, REPAIR KIT,  
GASKET SET & SCREW SET

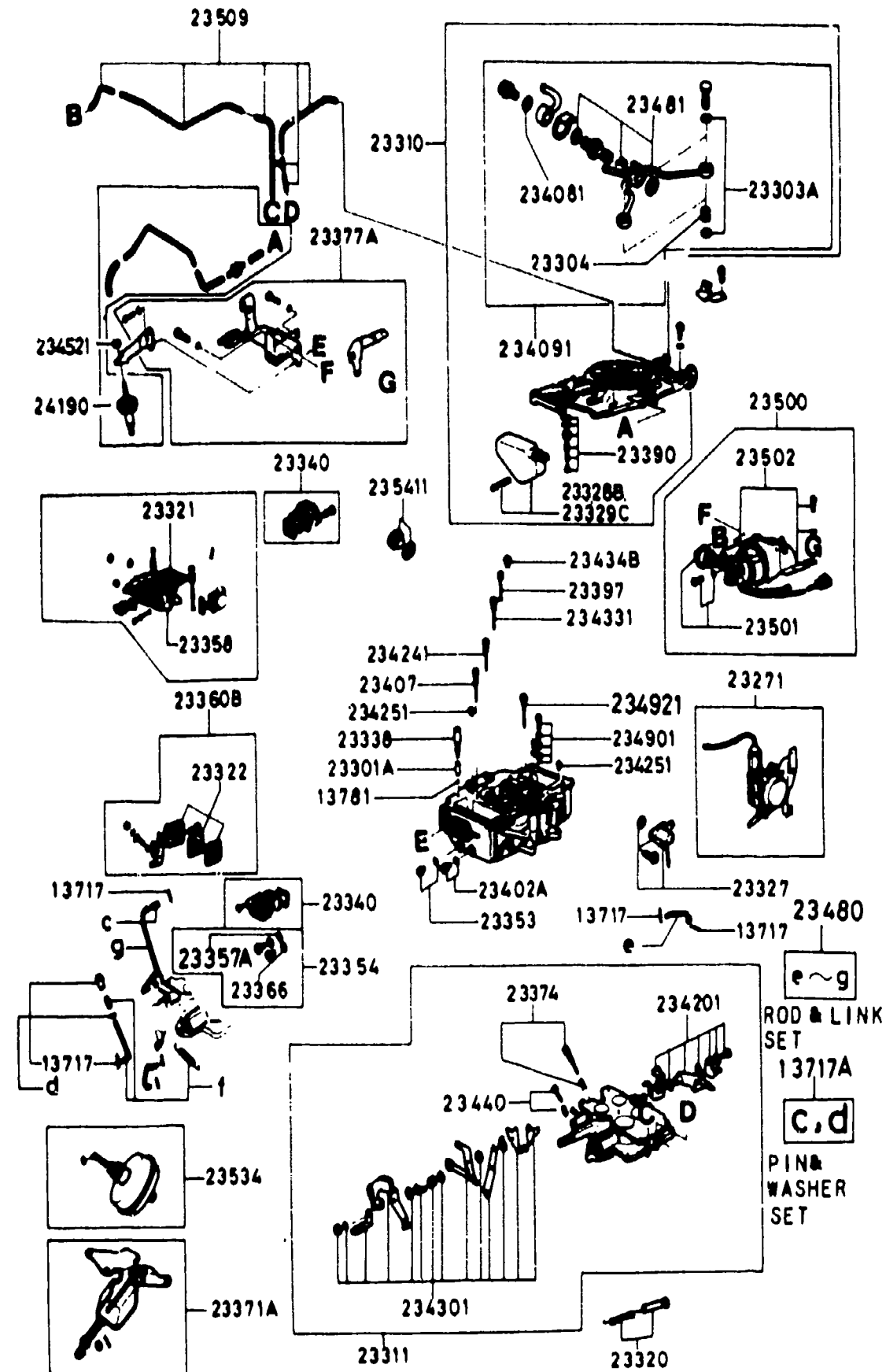


ITEM NO.	D-CODE	DESCRIPTION	PART NO.	QTY	MODEL/DESCRIPTION	REMARKS
	13 600	CARBURETOR	N201-13-200A	1	'81 & '82 MODELS M/T CAL.	
			N233-13-200A	1	'83 MODEL M/T CAL.	
			N202-13-200A	1	'81 & '82 MODELS A/T CAL.	
			N234-13-200A	1	'83 MODEL A/T CAL.	
			N203-13-200A	1	'81 & '82 MODELS M/T FED.	
			N231-13-200A	1	'83 MODEL M/T FED.	
			N204-13-200A	1	'81 & '82 MODELS A/T FED.	
			N232-13-200A	1	'83 MODEL A/T FED.	
	23 371	SCREW SET	N201-23-652	1		
			N201-99-131	1		
	23 410A	REPAIR KIT, CARBURETOR	N201-99-131	1		
	23 436	CAP, IDLE LIMITER	N201-13-205	1		
	23 510	GASKET SET	N201-23-510	1		
		CHAMBER SET, DIAPHRAGM	N249-23-350	1		

# SECTION INDEX -- ENGINE

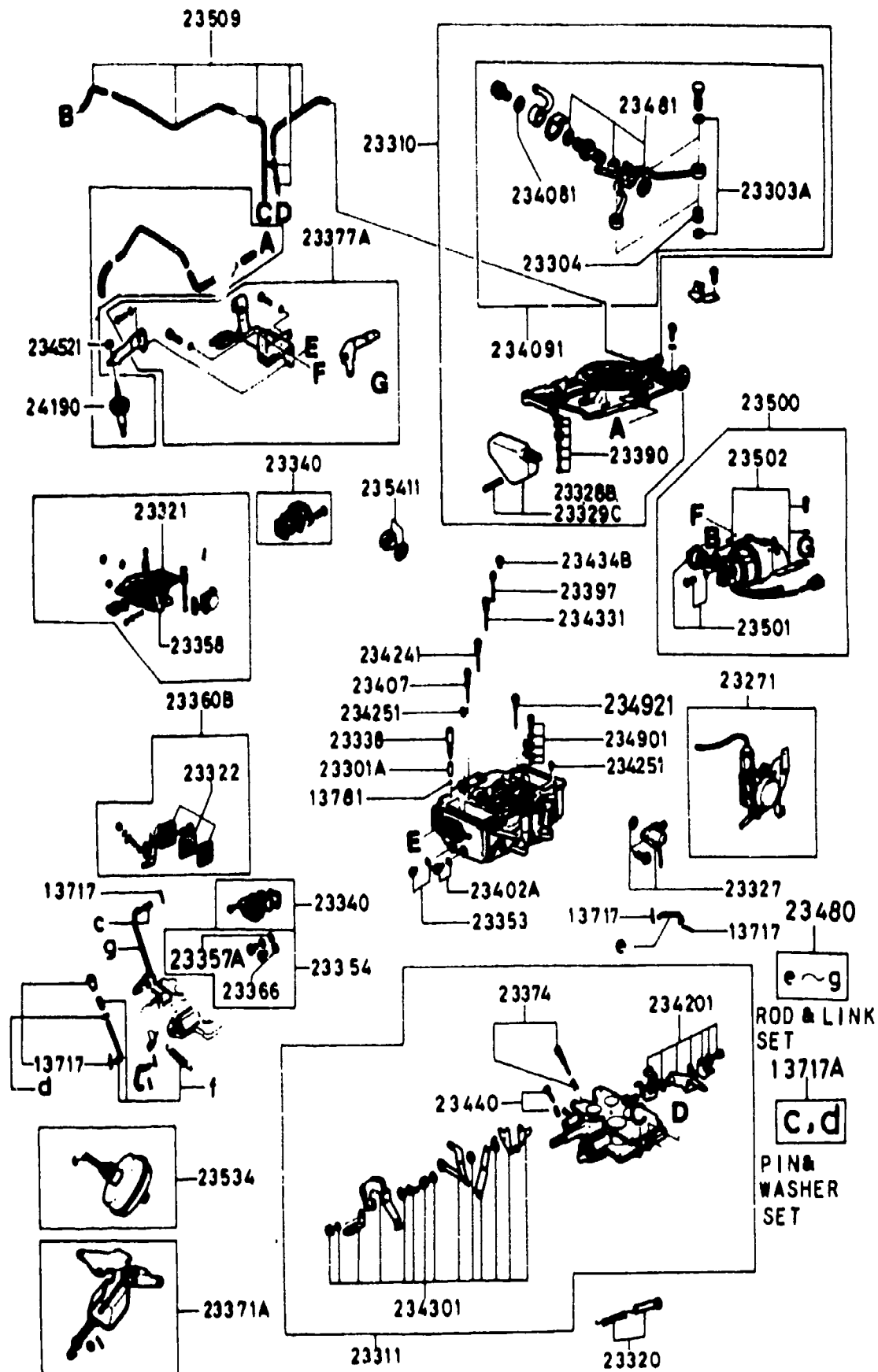
STARTING LOCATION	SECT. NO.	SECTION NAME	STARTING LOCATION	SECT. NO.	SECTION NAME	STARTING LOCATION	SECT. NO.	SECTION NAME
1 - C 3	1000A	SHORT ENGINE BLOCK & GASKET SETS	1 - C 6	1920A	CASE & MAIN CONTROLS (AUTOMATIC TRANSMISSION)			
1 - D 3	1030A	ROTOR HOUSING	1 - E 6	1930A	CLUTCH & PLANETARY GEAR (AUTOMATIC TRANSMISSION)			
1 - E 3	1040A	OIL PAN & REAR HOUSING	1 - G 6	1940A	LOW, REVERSE & GOVERNOR (AUTOMATIC TRANSMISSION)			
1 - G 3	1100A	ECCENTRIC SHAFT & FLYWHEEL	1 - H 6	1950A	MANUAL LINKAGE (AUTOMATIC TRANSMISSION)			
1 - H 3	1110A	ROTOR & RELATED						
1 - I 3	1300A	INTAKE MANIFOLD						
1 - J 3	1310A	EXHAUST MANIFOLD						
1 - K 3	1320A	FUEL SYSTEM						
1 - L 3	1330A	AIR CLEANER						
1 - M 3	1350A	STARTING ASSIST SYSTEM						
1 - N 3	1359A	CARBURETOR, REPAIR KIT, GASKET SET & SCREW SET						
1 - C 4	1360A	CARBURETOR COMPONENTS						
1 - E 4	1371A	EMISSION CONTROLS (AIR PUMP & CONTROL VALVE)						
1 - F 4	1380A	EMISSION CONTROLS (EXHAUST SIDE) ('81 & '82 MODELS)						
1 - H 4	1380AA	EMISSION CONTROLS (EXHAUST SIDE) ('83 MODEL)						
1 - I 4	1400A	OIL PUMP & FILTER ('81 & '82 MODELS)						
1 - J 4	1400AA	OIL PUMP & FILTER ('83 MODEL)						
1 - K 4	1500A	COOLING SYSTEM ('81 & '82 MODELS)						
1 - M 4	1500AA	COOLING SYSTEM ('83 MODEL)						
1 - N 4	1580A	COMPRESSOR BRACKET, PULLEY & BELT (A C)						
1 - C 5	1600A	CLUTCH (MANUAL)						
1 - D 5	1700A	TRANSMISSION CASE (MANUAL)						
1 - E 5	1710A	TRANSMISSION GEAR (MANUAL)						
1 - G 5	1720A	CHANGE CONTROLS (MANUAL)						
1 - H 5	1800A	ELECTRICAL SYSTEM (ENGINE)						
1 - I 5	1820A	DISTRIBUTOR						
1 - J 5	1830A	ALTERNATOR						
1 - K 5	1840A	STARTER						
1 - M 5	1850A	BATTERY & CABLES						
1 - N 5	1910A	CONVERTER, OIL PUMP & PIPING (AUTOMATIC TRANSMISSION)						

1360A-1 CARBURETOR COMPONENTS



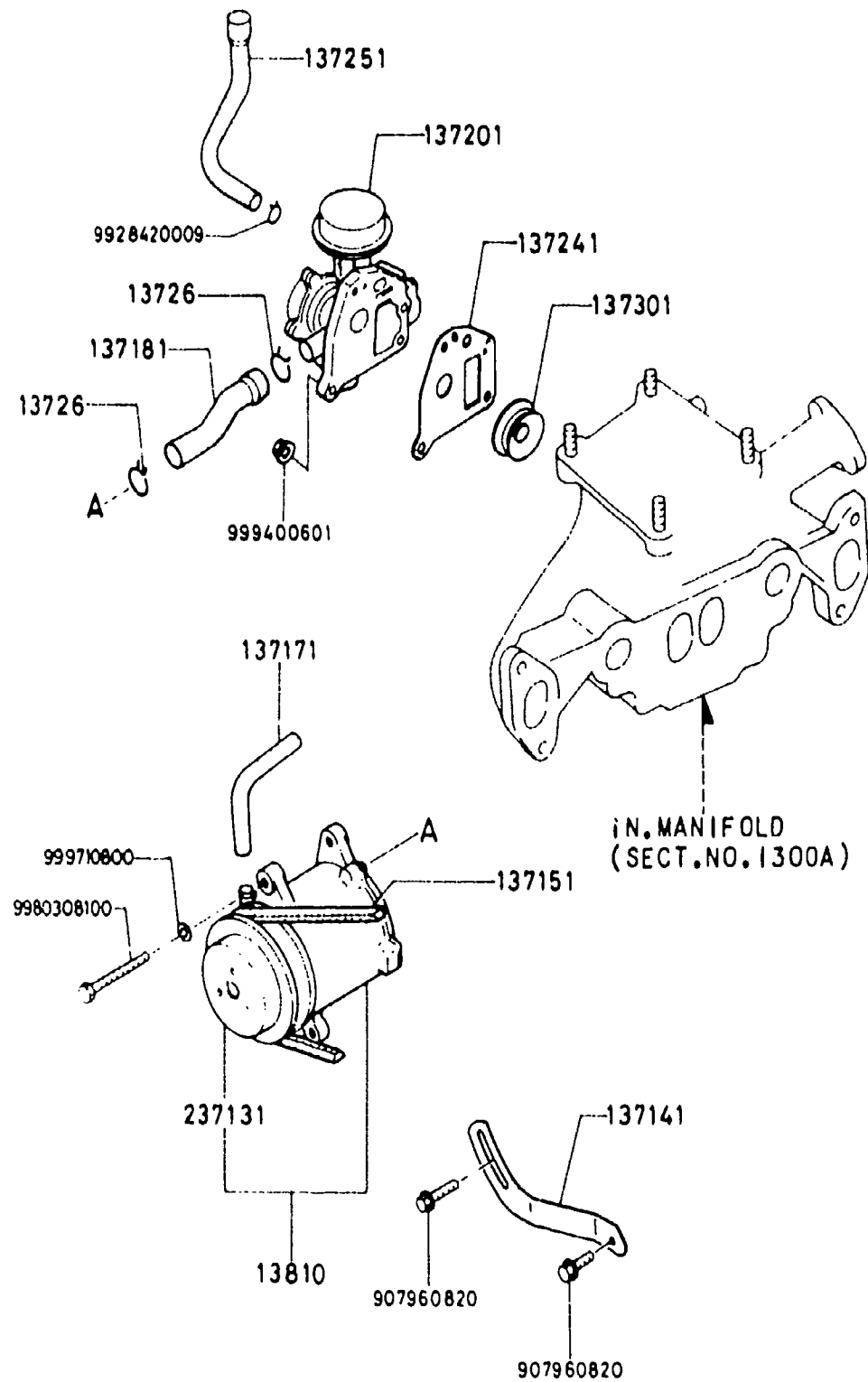
ITEM NO.	D-CODE	DESCRIPTION	PART NO.	QTY	MODEL/DESCRIPTION	REMARKS
	13 717	PIN, COTTER	1663-23-530	7		
	13 717A	PIN & WASHER SET	8871-23-530	1		
	13 781	BALL, STEEL	0107-13-781	1		
	23 271	CHAMBER SET, DIAPHRAGM	N201-23-350	1		
	23 301A	WEIGHT, PUMP	3743-23-488	1		
	23 303A	GASKET	0730-23-318	4		
	23 304	STRAINER	8871-23-401	2		
	23 310	HORN, AIR	N201-23-310	1	'81 & '82 MODELS	
			N232-23-310	1	'83 MODEL	
	23 311	CHAMBER, THROTTLE	N201-23-330	1	'81 & '82 MODELS M/T CAL.	
			N203-23-330	1	'81 & '82 MODELS M,T FED.	
			N231-23-330	1	'83 MODEL M/T	
			N202-23-330	1	'81 & '82 MODELS A/T	
			N232-23-330	1	'83 MODEL A/T	
	23 320	SPRING SET, RETURN	N201-23-380	1		
	23 321	GASKET, FLOAT CHAMBER	N201-23-327	1		
	23 322	DIAPHRAGM, CARBURETOR	N201-23-361	1		
	23 327	SOLENOID	8871-23-411	1		
	23 328B	FLOAT SET, FRONT	N201-23-328	1		
	23 329C	FLOAT SET, REAR	N201-23-329	1		
	23 338	PLUG, CHECK BALL	8826-23-338	1		
	23 340	COVER SET, LEVER GAUGE	3743-23-340	2		
	23 353	JET SET, MAIN 1ST	N202-23-421	2	A/T	
			1955-23-421	2	M/T	
	23 354	PLUG SET	8980-23-354	2		
	23 357A	CLAMP, MAIN JET PLUG	8980-23-357	1	'82 MODEL	
	23 358	GASKET, FLANGE	8341-23-349	1		
	23 360B	PUMP SET, ACCELERATOR	N201-23-360	1		
	23 366	WASHER	0305-23-356	2		
	23 371A	HOLDER SET, RETURN	N201-23-371	1		
	23 374	SCREW SET, IDLE ADJUST	N201-23-460	1		
	23 377A	BRACKET SET	N201-23-370	1	'81 & '82 MODELS M/T	
			N231-23-370	1	'83 MODEL M/T	
			N202-23-370	1	'81 & '82 MODELS A/T	
			N232-23-370	1	'83 MODEL A/T	
	23 390	VALVE SET, FLOAT	N201-23-390	2		
	23 397	JET, STEP	N201-23-426	2		
	23 402A	JET SET, MAIN 2ND	0222-23-355B	2		

1360A-2 CARBURETOR COMPONENTS



ITEM NO.	D-CODE	DESCRIPTION	PART NO.	QTY	MODEL/DESCRIPTION	REMARKS
23 407		JET SET, SLOW	3743-23-425	2		
23 4081		WASHER	0823-23-402A	1		
23 4091		CONNECTOR SET, FUEL	8871-23-409A	1		
23 4201		LEVER SET, FRONT	1480-23-420	1	'81 & '82 MODELS	
			N231-23-420	1	'83 MODEL	
23 4241		JET, AIR BLEED 1ST	N201-23-423	2	M/T	
			N202-23-423	2	A/T	
23 4251		JET, SLOW AIR BLEED	0603-23-5 12	2	M/T	
			8021-23-351	2	A/T	
23 4301		LEVER SET, REAR	N201-23-430	1	'81 & '82 MODELS M/T	
			N231-23-430		'83 MODEL M/T	
			N202-23-430	1	'81 & '82 MODELS A/T	
			N232-23-430	1	'83 MODEL A/T	
23 4331		JET, AIR BLEED 2ND	8871-23-424	2		
23 434B		JET, STEP AIR BLEED	8649-23-434	2		
23 440		SCREW SET, THROTTLE ADJUST	N201-23-440	1		
23 4521		NUT, HEXAGON	2090-23-452	1	M/T	
23 480		ROD & LINK SET	N201-23-480	1		
23 481		GASKET	0823-23-394	3		
23 4901		NOZZLE SET, ACCELERATOR	N201-23-490	1		
23 4921		JET, AIR BLEED	N201-23-492	1		
23 500		CHOKE SET, SEMI AUTOMATIC	N201-23-500A	1		
23 501		HOLDER, BI-METAL	N201-23-501	1		
23 502		BI-METAL SET	N201-23-502A	1		
23 509		PIPE SET, VACUUM	N201-23-509	1		
23 534		CHOKE SET, RETURN	N201-23-503	1		
23 5411		PLUG	2183-23-508	1	CAL.	
			1570-23-507	1	FED.	
24 190		DASH POT	8341-13-215	1	M/T	

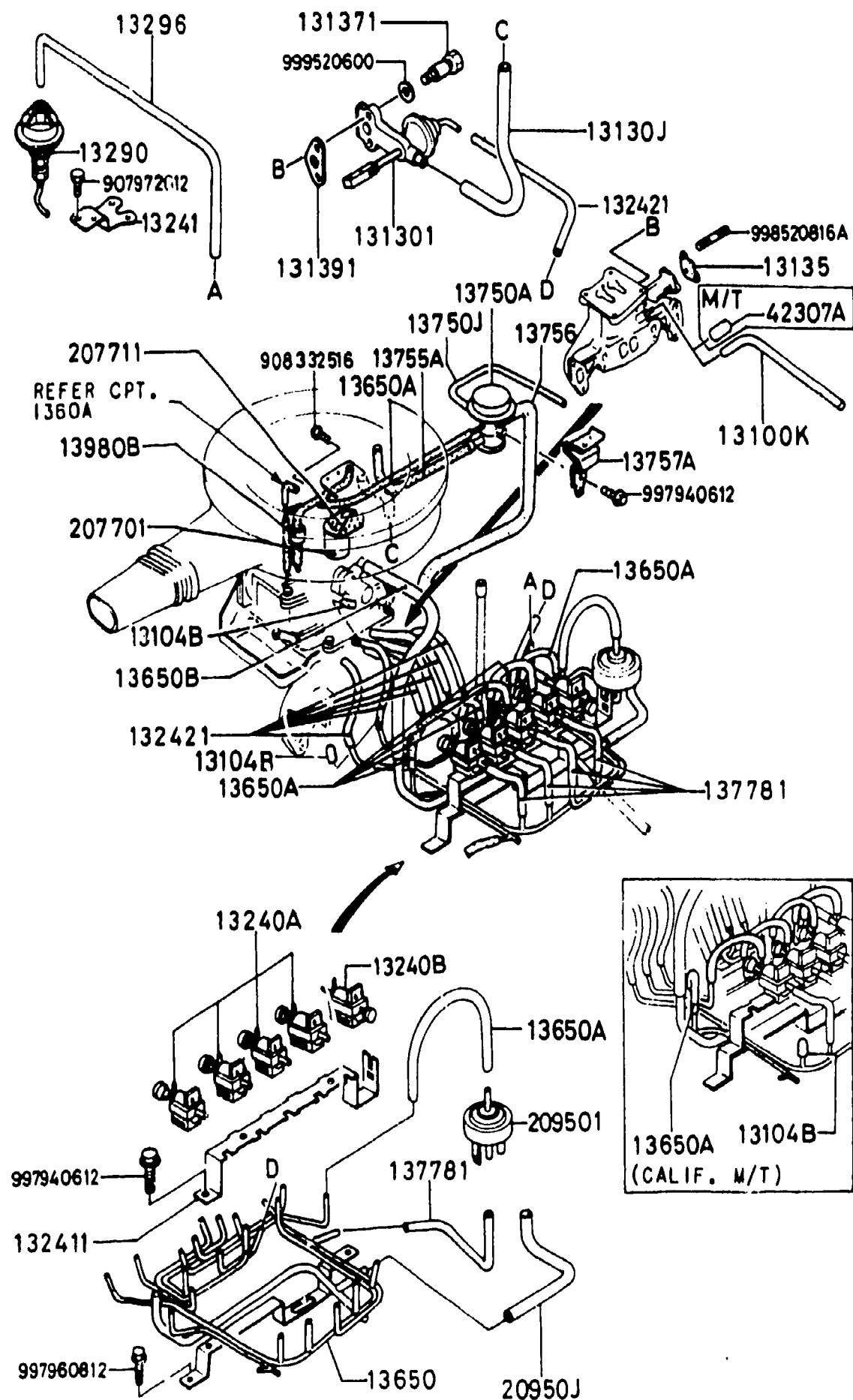
**1371A-1 EMISSION CONTROLS  
(AIR PUMP & CONTROL VALVE)**



ITEM NO.	D-CODE	DESCRIPTION	PART NO.	QTY	MODEL/DESCRIPTION	REMARKS
	13 714 1	STRAP, AIR PUMP	1757-13-714	1		
	13 715 1	V-BELT	1757-13-715	1		
	13 717 1	HOSE, AIR	1757-13-717	1		
	13 718 1	HOSE, AIR	1480-13-718A	1		
	13 720 1	VALVE, AIR CONTROL	N201-13-720	1	CAL.	
			N203-13-720	1	'81 & '82 MODELS FED.	
			N231-13-720	1	'83 MODEL FED.	
	13 724 1	GASKET, AIR CONTROL VALVE	N201-13-724	1		
	13 725 1	HOSE, AIR	N201-13-725	1		
	13 726	CLIP, AIR HOSE	1480-13-726	2		
	13 730 1	VALVE, CHECK	1480-13-730	1		
	13 810	PUMP, AIR	1757-13-710B	1		
	23 713 1	PULLEY, AIR PUMP	1757-23-713A	1		

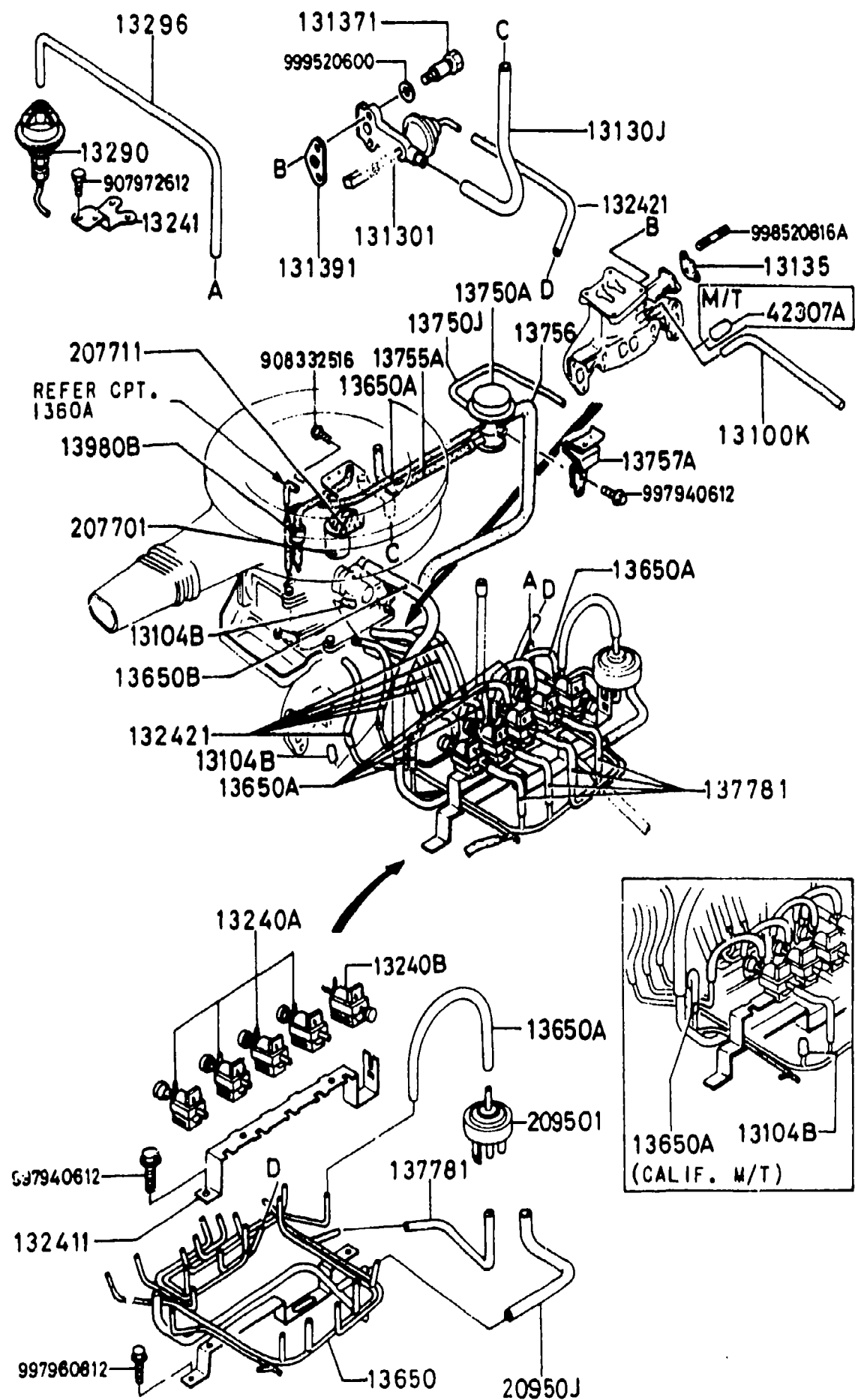


**1380A-1 EMISSION CONTROLS  
(EXHAUST SIDE) ('81 & '82 MODELS)**



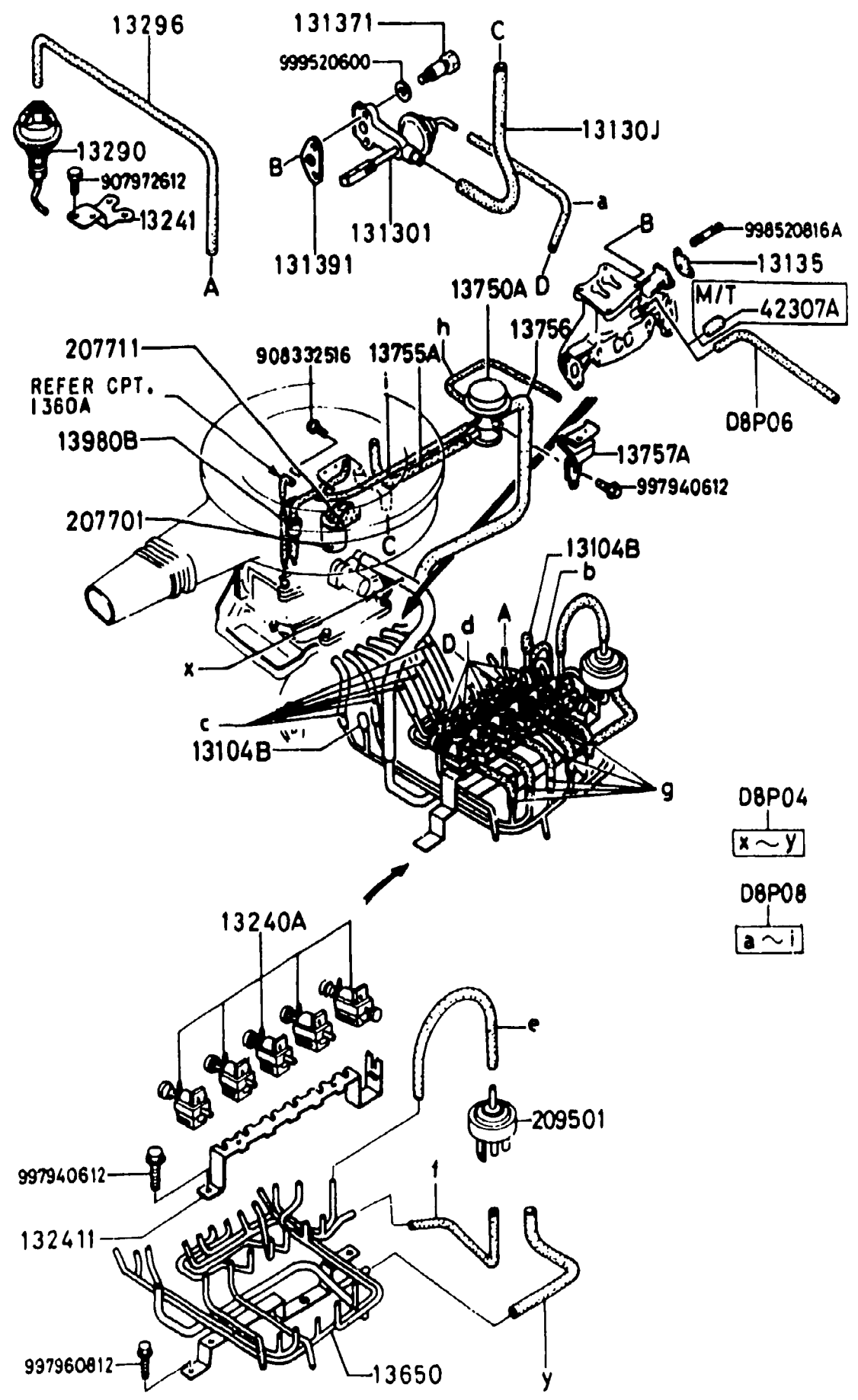
ITEM NO.	D-CODE	DESCRIPTION	PART NO.	QTY	MODEL/DESCRIPTION	REMARKS
	13 100K	HOSE, VACUUM	9935-10-6999		A/T BULK QTY.	
	13 104B	CAP	1010-13-104	1	M/T CAL.	
				3	FED.	
					A/T CAL.	
	13 1301	DIAPHRAGM, SHUTTER VALVE	1480-13-130A	1		
	13 130J	HOSE, AIR	1480-13-727A	1		
	13 135	GASKET	N201-13-135	1	CAL.	
			N203-13-135	1	FED.	
	13 1371	BOLT, REAMER	1480-13-137A	2		
	13 1391	GASKET, SHUTTER VALVE	1480-13-139B	1		
	13 240A	VALVE, THREE-WAY	1481-13-240A	3	M/T CAL.	
				4	FED.	
					A/T CAL.	
	13 240B	VALVE, THREE-WAY	1482-13-240A	1		
	13 241	BRACKET, ACTUATOR	8871-13-291A	1		
	13 2411	BRACKET	1480-13-241A	1		
	13 2421	HOSE, VACUUM	9935-10-4999		BULK QTY.	
			9935-10-1999		M/T CAL. A/T CAL. FED.	
	13 290	ACTUATOR	3648-13-290	1		
	13 296	HOSE, AIR	8871-13-296B	1		
	13 650	PIPE, VACUUM	N201-13-650A	1		
	13 650A	HOSE, AIR	9935-10-4095	6		
	13 650B	HOSE, AIR	9935-10-8999		BULK QTY.	
	13 750A	VALVE, ANTI-AFTERBURN	N201-13-750	1		
	13 750J	TUBE, VACUUM	9935-10-4999		BULK QTY.	
	13 755A	HOSE, AIR	N201-13-755	1		
	13 756	HOSE, AIR	N201-13-756	1		
	13 757A	BRACKET	N201-13-757A	1		
	13 7781	TUBE, VACUUM	9935-10-4999		BULK QTY.	
					M/T CAL. A/T CAL. FED.	
	13 980B	VALVE, DELAY	N201-13-980A	1		
	20 7701	VALVE, ALTITUDE COMPENSATOR	N201-20-770A	1		
			< A > N249-20-770	1		
	20 7711	GASKET	N201-20-771	1		
	20 9501	VALVE, PURGE	1480-20-950A	1		
	20 950J	HOSE, AIR	9935-10-8999		BULK QTY.	
	42 307A	CAP	0223-42-307	1	M/T	

**1380A-2 EMISSION CONTROLS  
(EXHAUST SIDE) ('81 & '82 MODELS)**



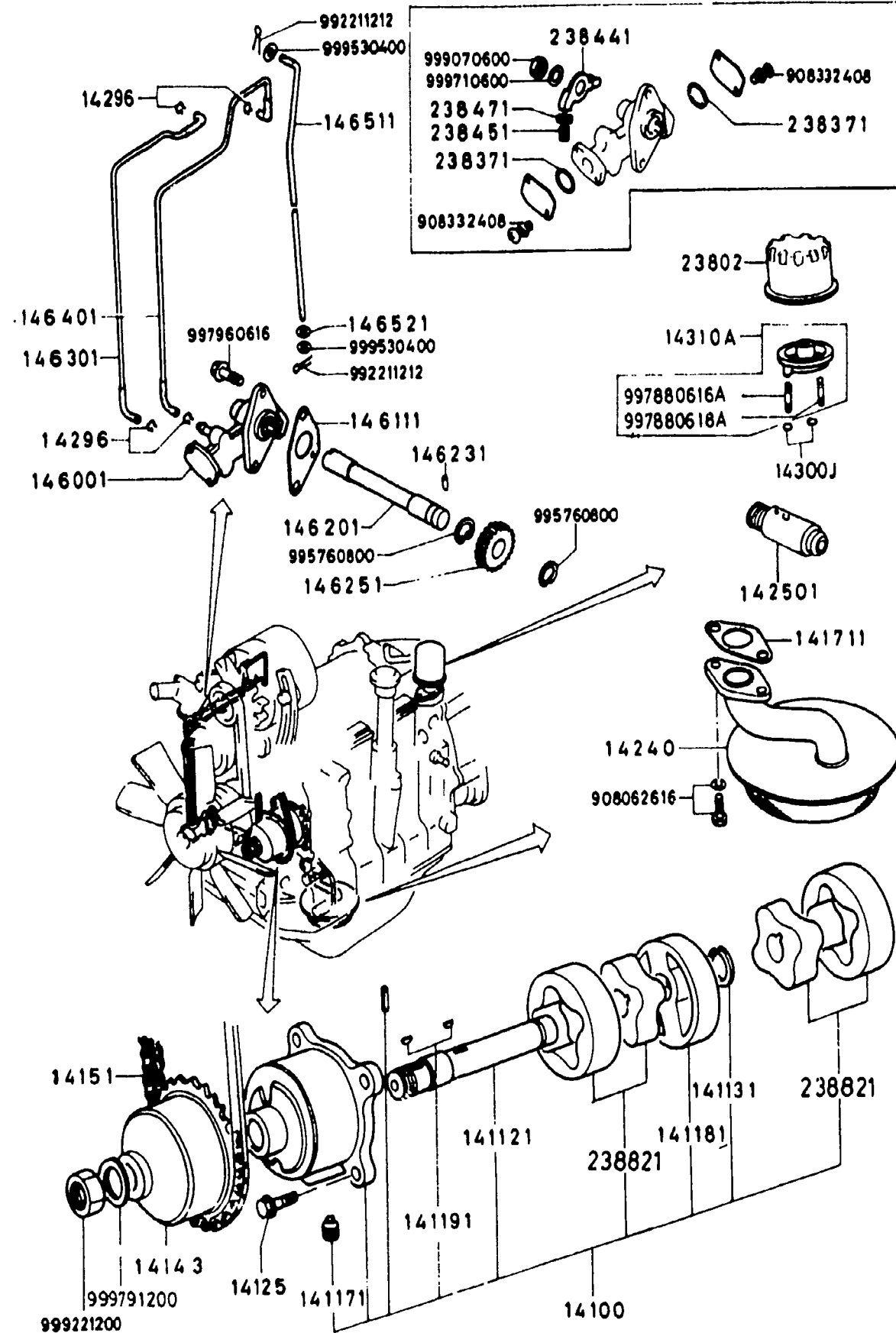
ITEM NO.	D-CODE	DESCRIPTION	PART NO.	QTY	MODEL/DESCRIPTION	REMARKS
		REFER TO RECALL CAMPAIGN NOS. 23702/2370C FOR EMISSION CONTROL INFO.				

**1380AA-1 EMISSION CONTROLS  
(EXHAUST SIDE) ('83 MODEL)**



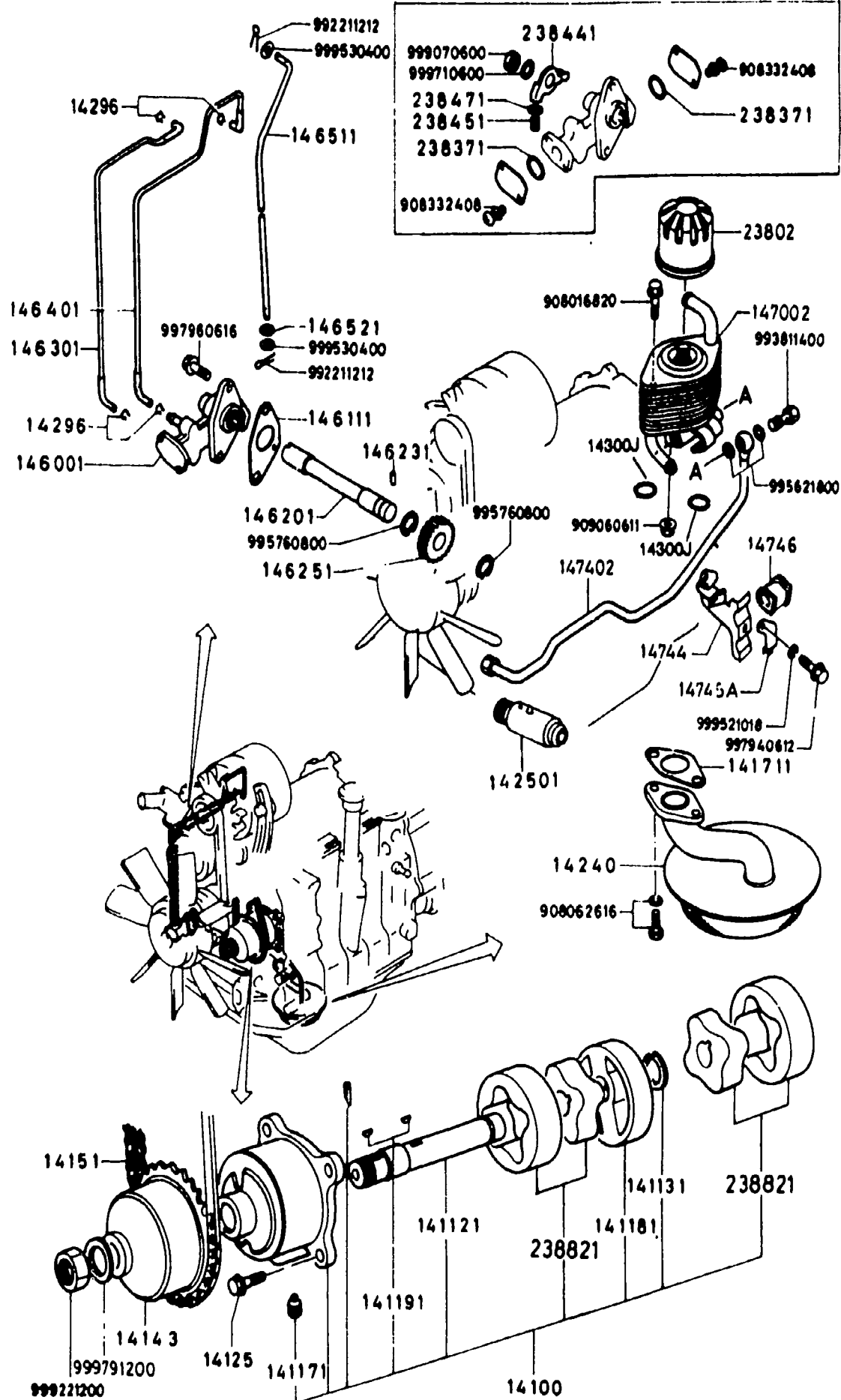
ITEM NO.	D-CODE	DESCRIPTION	PART NO.	QTY	MODEL/DESCRIPTION	REMARKS
	13 104B	CAP	1010-13-104	2		
	13 130I	DIAPHRAGM, SHUTTER VALVE	1480-13-130A	1		
	13 130J	HOSE, AIR	1480-13-727A	1		
	13 135	GASKET	N201-13-135	1	CAL.	
			N203-13-135	1	FED.	
	13 1371	BOLT, REAMER	1480-13-137A	2		
	13 1391	GASKET, SHUTTER VALVE	1480-13-139B	1		
	13 240A	VALVE, THREE-WAY	1481-13-240A	5		
	13 241	BRACKET, ACTUATOR	8871-13-291A	1		
	13 2411	BRACKET	N225-13-241A	1		
	13 290	ACTUATOR	3648-13-290	1		
	13 296	HOSE, AIR	8871-13-296B	1		
	13 650	PIPE, VACUUM	N231-13-650C		BULK QTY.	
	13 750A	VALVE, ANTI-AFTERBURN	N201-13-750	1		
	13 755A	HOSE, AIR	N201-13-755	1		
	13 756	HOSE, AIR	N201-13-756	1		
	13 757A	BRACKET	N201-13-757A	1		
	13 980B	VALVE, DELAY	N231-13-980	1		
	20 7701	VALVE, ALTITUDE COMPENSATOR	N201-20-770A	1		
	20 7711	GASKET	N201-20-771	1		
	20 9501	VALVE, PURGE	1480-20-950A	1		
	42 307A	CAP	0223-42-307	1	M/T	
		REFER TO RECALL CAMPAIGN NOS. 23702/2370C FOR EMISSION CONTROL INFO.				
	D8 P04	HOSE, AIR	9935-10-4999		BULK QTY.	
			9935-10-4095	9		
	D8 P06	HOSE, AIR	9935-10-6999		BULK QTY. A/T	
	D8 P08	HOSE, AIR	9935-10-8999		BULK QTY.	

**1400A-1 OIL PUMP & FILTER ('81 & '82 MODELS)**



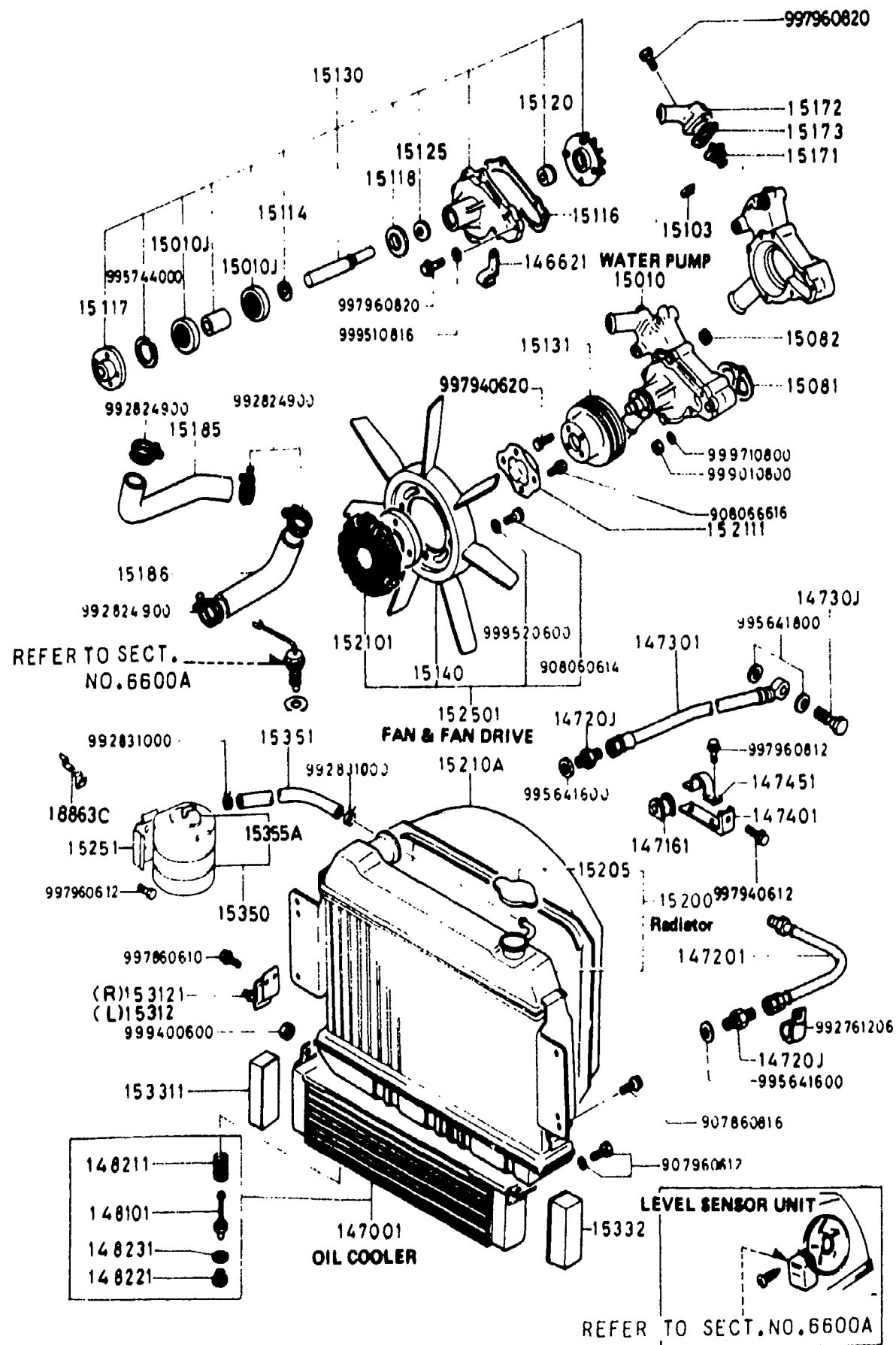
ITEM NO.	D-CODE	DESCRIPTION	PART NO.	QTY	MODEL/DESCRIPTION	REMARKS
14 100		PUMP, OIL	8501-14-100	1		
14 1121		SHAFT, OIL PUMP	1757-14-112	1		
14 1131		RING, SNAP	0810-14-113	1		
14 1171		BOLT, LOCK	0839-14-117	1		
14 1181		PLATE, MIDDLE	8501-14-118	1		
14 1191		KEY	0839-14-119B	3		
14 125		BOLT, SET	8553-14-125	4		
14 143		WHEEL, SPROCKET	0839-14-141A	1		
14 151		CHAIN, OIL PUMP	0839-14-142	1		
14 1711		GASKET, OIL STRAINER	0810-14-171A	1		
14 240		STRAINER, OIL	8871-14-160	1		
14 2501		REGULATOR, PRESSURE	3648-14-250	1		
14 296		CLIP, OIL TUBE	0730-14-296	4		
14 300J		O-RING	9954-10-1601	2		
14 310A		BODY, OIL FILTER	8341-14-310	1		
14 6001		PUMP, METERING OIL	1757-14-600	1		
14 6111		GASKET, METERING OIL	1757-14-611	1		
14 6201		SHAFT, DRIVEN GEAR	0820-14-620A	1		
14 6231		PIN, DRIVEN GEAR	0813-14-623	1		
14 6251		GEAR, DRIVEN	0820-14-625A	1		
14 6301		TUBE, METERING OIL	8871-14-660B	1		
14 6401		TUBE, METERING OIL	8871-14-670B	1		
14 6511		ROD, CONNECTING	8871-14-651	1		
14 6521		SHIM, ADJUST	1757-14-652	1	(T=1.0)	
23 802		CARTRIDGE, OIL FILTER	B6Y1-14-302	1		
		< AN >	N3Y6-14-302	1		
23 8371		O-RING	0730-23-837	2		
23 8441		LEVER, CONTROL	1757-23-844	1		
23 8451		SCREW, ADJUST	0820-23-845A	1		
23 8471		NUT	0820-23-847A	1		
23 8821		ROTOR SET, OIL PUMP	8501-14-110	2		

**1400AA-1 OIL PUMP & FILTER ('83 MODEL)**



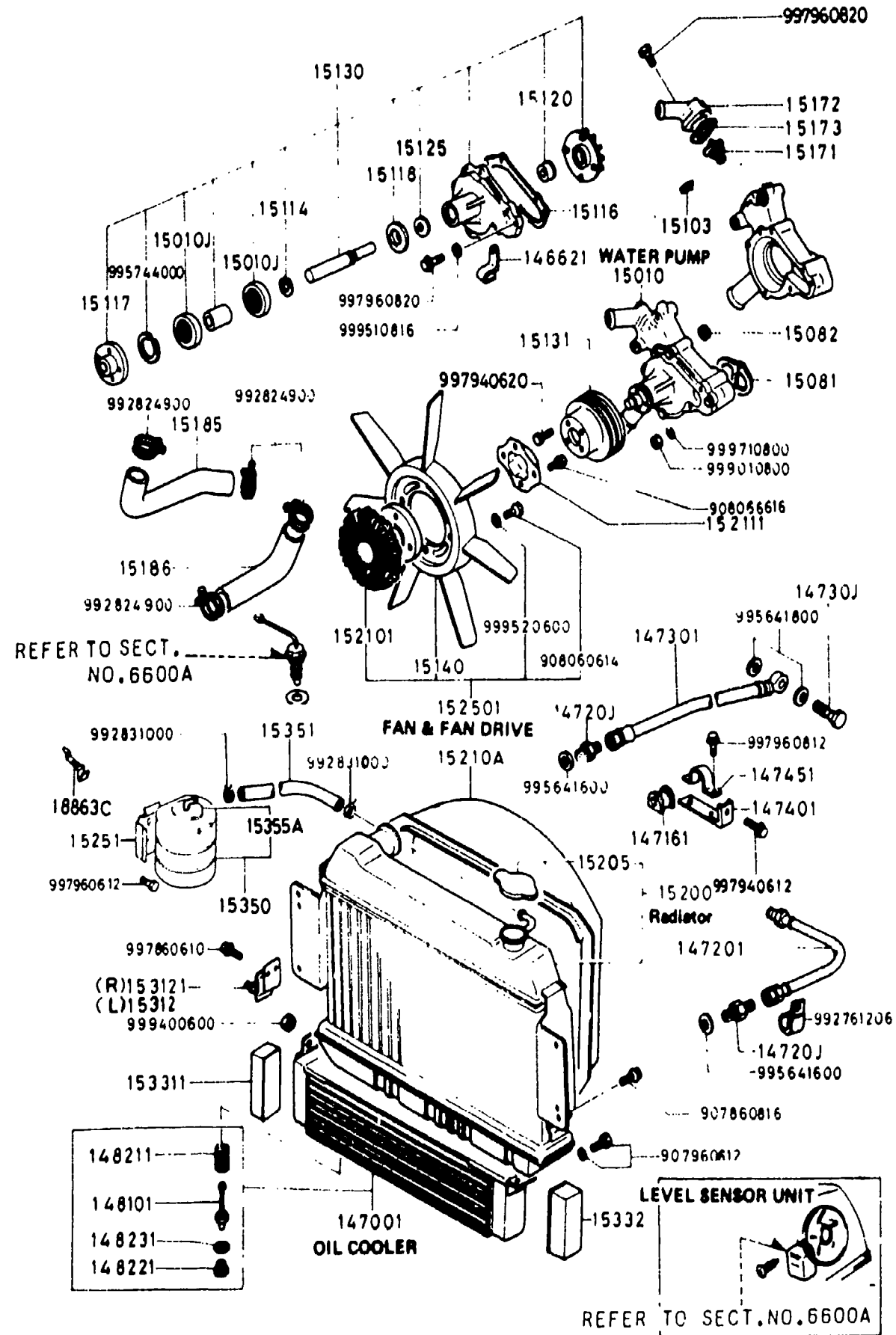
ITEM NO.	D-CODE	DESCRIPTION	PART NO.	QTY	MODEL/DESCRIPTION	REMARKS
14 100		PUMP, OIL	8553-14-100	1		
14 1121		SHAFT, OIL PUMP	8553-14-112	1		
14 1131		RING, SNAP	0810-14-113	1		
14 1171		BOLT, LOCK	0839-14-117	1		
14 1181		PLATE, MIDDLE	8553-14-118	1		
14 1191		KEY	0839-14-119B	3		
14 125		BOLT, SET	8553-14-125	4		
14 143		WHEEL, SPROCKET	0839-14-141A	1		
14 151		CHAIN, OIL PUMP	0839-14-142	1		
14 1711		GASKET, OIL STRAINER	0810-14-171A	1		
14 240		STRAINER, OIL	8871-14-160	1		
14 2501		REGULATOR, PRESSURE	3648-14-250	1		
14 296		CLIP, OIL TUBE	0730-14-296	4		
14 300J		O-RING	9954-10-1601	2		
14 6001		PUMP, METERING OIL	1757-14-600	1		
14 6111		GASKET, METERING OIL	1757-14-611	1		
14 6201		SHAFT, DRIVEN GEAR	0820-14-620A	1		
14 6231		PIN, DRIVEN GEAR	0813-14-623	1		
14 6251		GEAR, DRIVEN	0820-14-625A	1		
14 6301		TUBE, METERING OIL	8871-14-660B	1		
14 6401		TUBE, METERING OIL	8871-14-670B	1		
14 6511		ROD, CONNECTING	N225-14-651	1		
14 6521		SHIM, ADJUST	1757-14-652	1	(T=1.0)	
14 7002		COOLER, OIL	N231-14-700C	1		
14 7402		PIPE, OIL COOLER	N231-14-720B	1		
14 744		BRACKET, OIL PIPE	N231-14-744B	1		
14 745A		CLIP, OIL PIPE	N231-14-745B	1		
14 746		PROTECTOR	N231-14-746	1		
23 802		CARTRIDGE, OIL FILTER	N3Y6-14-302	1		
		REFER TO PARTS BULL. NOS. T-1-7 & T-1-8 FOR MORE INFO.				
23 8371		O-RING	0730-23-837	2		
23 8441		LEVER, CONTROL	1757-23-844	1		
23 8451		SCREW, ADJUST	0820-23-845A	1		
23 8471		NUT	0820-23-847A	1		
23 8821		ROTOR SET, OIL PUMP	8553-14-110	2		

**1500A-1 COOLING SYSTEM ('81 & '82 MODELS)**



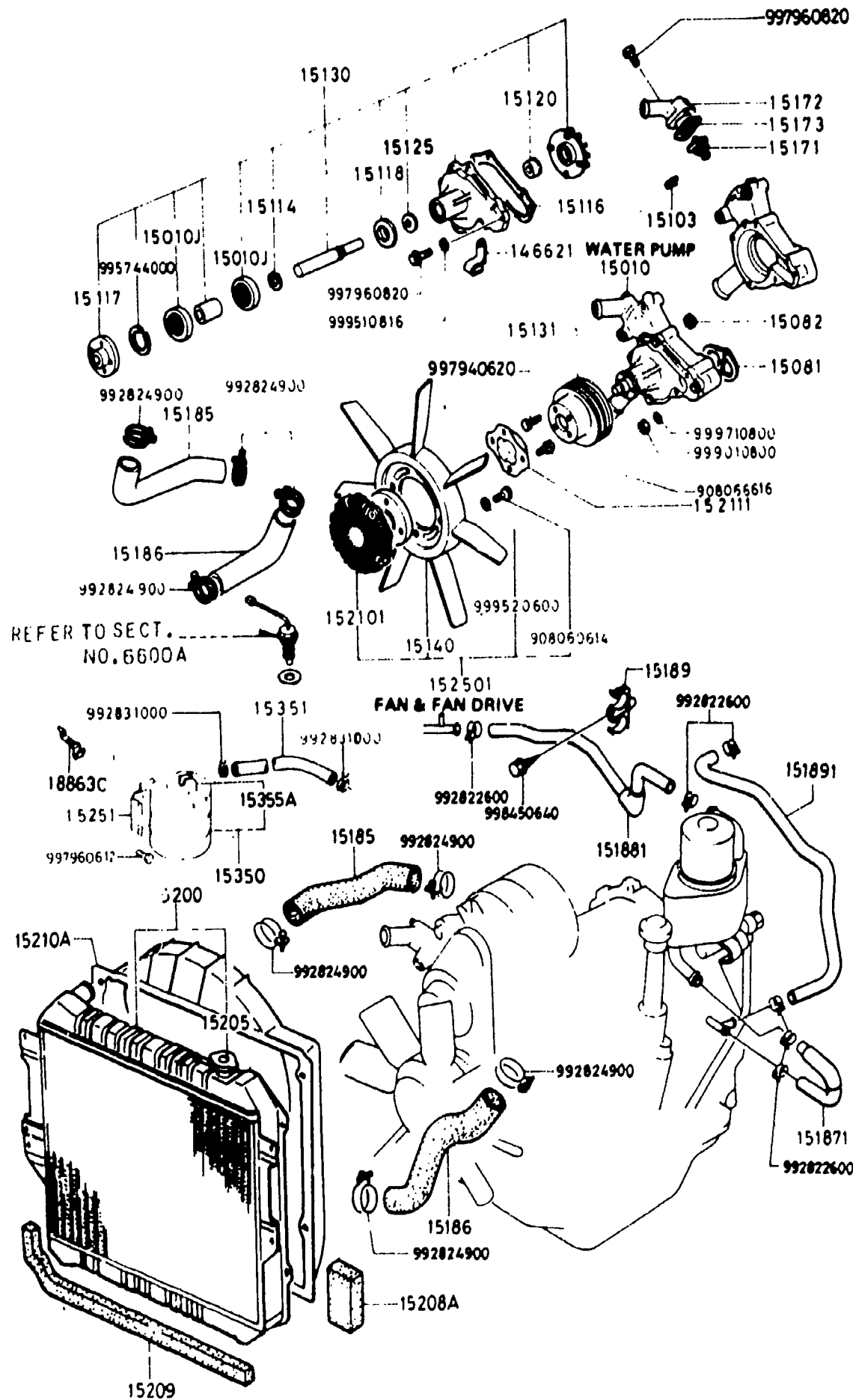
ITEM NO.	D-CODE	DESCRIPTION	PART NO.	QTY	MODEL/DESCRIPTION	REMARKS
	14 6621	CLIP	3565-14-662A	1		
	14 7001	COOLER, OIL	8871-14-700A	1		
	14 7161	PROTECTOR, OIL HOSE	0813-14-716	1		
	14 7201	HOSE, OIL	1011-14-720	1		
	14 720J	JOINT, UNION	9938-41-200F	2		
	14 7301	HOSE, OIL	8871-14-730	1		
	14 730J	CONNECTOR	9938-11-400	1		
	14 7401	BRACKET, OIL HOSE	8871-14-742	1		
	14 7451	CLIP, AIR HOSE	0839-14-745A	1		
	14 8101	PELLET, THERMO	8871-14-810	1		
	14 8211	SPRING, PELLET	1757-14-821	1		
	14 8221	NUT, STOPPER	1757-14-822	1		
	14 8231	GASKET	9956-42-200	1		
	15 010	PUMP, WATER	1757-23-920G	1		
	15 010J	BEARING, BALL	8871-15-121A	2		
	15 081	GASKET	1757-15-105A	1		
	15 082	GASKET	1757-15-106	2		
	15 103	SPACER	8872-15-103	1		
	15 114	RING, SNAP	1757-15-114	1		
	15 116	GASKET, WATER PUMP	1757-15-132	1		
	15 117	BOSS, WATER PUMP PULLEY	1757-23-927	1		
	15 118	PLATE, DUST SEAL	1757-15-118	1		
	15 120	SEAL, WATER	1757-15-120A	1		
	15 125	PLATE, WATER BAFFLE	0118-15-125	1		FB331 ..500001-618134
			N201-15-125A	1	'82 MODEL	FB331 ..618135-
	15 130	COVER, WATER PUMP	N232-99-153A	1		
	15 131	PULLEY	1757-15-151B	1		
	15 140	FAN, COOLING	3648-15-200A	1		
	15 171	THERMOSTAT	8553-99-152	1		
	15 172	COVER, THERMOSTAT	8872-15-170A	1		
	15 173	GASKET	1757-15-173	1		
	15 185	HOSE, WATER-UPPER	8871-15-511	1		
	15 186	HOSE, WATER-LOWER	8871-15-521	1		
	15 200	RADIATOR	N201-15-310B	1	M/T	
			N202-15-310B	1	A/T	
	15 205	CAP, RADIATOR	8871-15-205	1		
	15 2101	FAN DRIVE	N201-15-210B	1		
	15 210A	COWLING, RADIATOR	8871-15-401A	1		
	15 2111	SPACER, PULLEY	8872-15-211	1		
	15 2501	FAN & FAN DRIVE	N201-15-250B	1		

**1500A-2 COOLING SYSTEM  
( '81 & '82 MODELS)**



ITEM NO.	D-CODE	DESCRIPTION	PART NO.	QTY	MODEL/DESCRIPTION	REMARKS
15 251		BRACKET, SUB TANK	FA01-56-374	1		
15 312		RUBBER, INSULATION	8871-15-312	1		
15 3121		RUBBER, INSULATION	1128-15-312A	1		
15 3311		SEAL, AIR	8871-15-331	1		
15 332		SEAL, AIR	8871-15-332	1		
15 350		TANK, SUB	1052-15-350B	1		
15 351		HOSE, WATER	8871-15-351A	1		
15 355A		CAP, SUB TANK	1052-15-355A	1		
18 863C		CLIP	8156-18-863B	1		

**1500AA-1 COOLING SYSTEM ('83 MODEL)**

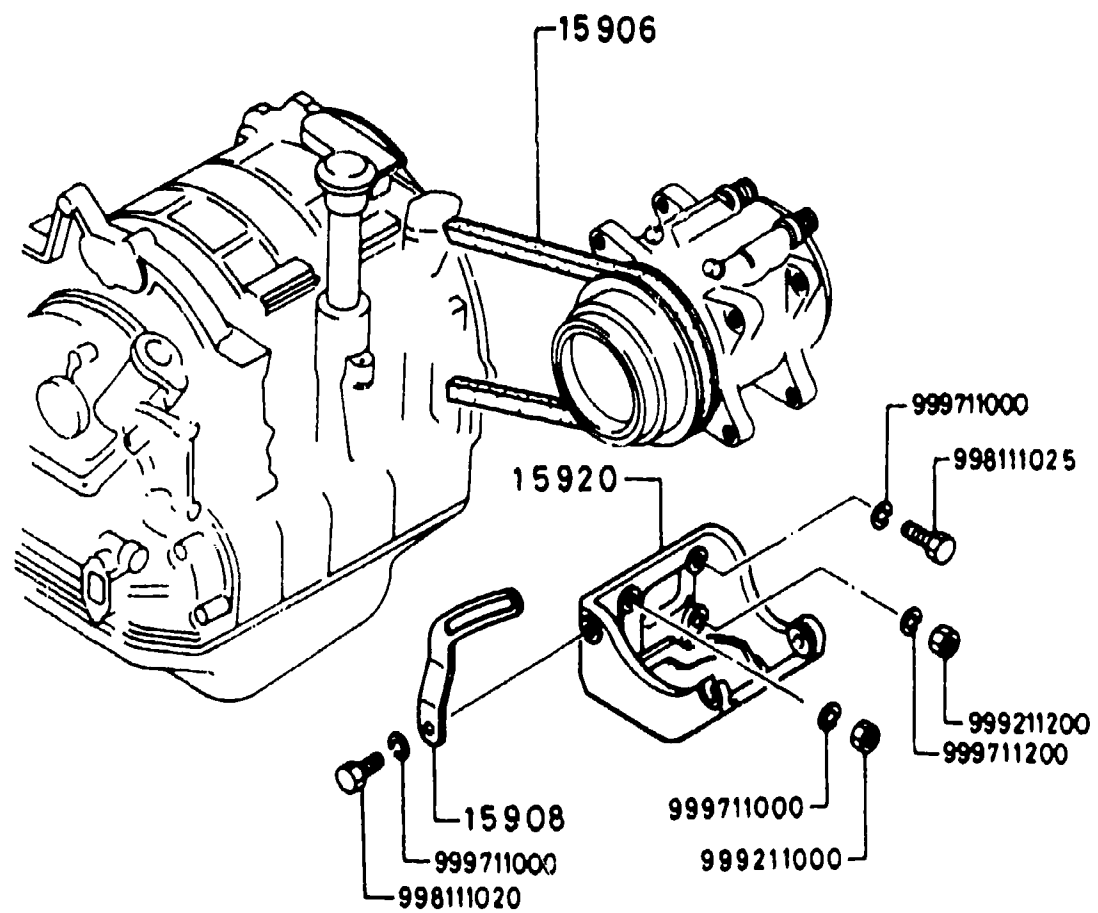


ITEM NO.	D-CODE	DESCRIPTION	PART NO.	QTY	MODEL/DESCRIPTION	REMARKS
	14 6621	CLIP	3565-14-662A	1		
	15 010	PUMP, WATER	8872-15-010I	1		
	15 010J	BEARING, BALL	8871-15-121A	2		
	15 081	GASKET	1757-15-105A	1		
	15 082	GASKET	1757-15-106	2		
	15 103	SPACER	8872-15-103	1		
	15 114	RING, SNAP	1757-15-114	1		
	15 115	SPACER, BEARING	1757-15-115B	1		
	15 116	GASKET, WATER PUMP	1757-15-132	1		
	15 117	BOSS, WATER PUMP PULLEY	1757-15-152B	1		
	15 118	PLATE, DUST SEAL	1757-15-118A	1		
	15 120	SEAL, WATER	1757-15-120A	1		
	15 125	PLATE, WATER BAFFLE	N201-15-125A	1		
	15 130	COVER, WATER PUMP	N232-99-153A	1		
	15 131	PULLEY	1757-15-151B	1		
	15 140	FAN, COOLING	3648-15-200A	1		
	15 171	THERMOSTAT	8553-99-152	1		
	15 172	COVER, THERMOSTAT	8872-15-170A	1		
	15 173	GASKET	1757-15-173	1		
	15 185	HOSE, WATER-UPPER	N231-15-511	1		
	15 186	HOSE, WATER-LOWER	N231-15-521C	1		
	15 1871	HOSE, WATER-COOLER	N231-15-530A	1		
	15 1881	HOSE, WATER-COOLER	N231-15-540B	1		
	15 189	CLAMP, HOSE	N231-15-545A	1		
	15 1891	HOSE, WATER-HEATER	N231-15-550	1		
	15 200	RADIATOR	N249-15-310	1	M-T	
			N232-15-310A	1	A-T	
	15 205	CAP, RADIATOR	8871-15-205	1	M-T	
			SE01-15-205	1	A-T	
	15 208A	SEAL, RADIATOR LOW	N231-15-331A	1		
	15 209	SEAL, RADIATOR SIDE	N231-15-332A	1		
	15 2101	FAN DRIVE	N201-15-210B	1		
	15 210A	COWLING, RADIATOR	N231-15-401B	1		
	15 2111	SPACER, PULLEY	8872-15-211	1		
	15 2501	FAN & FAN DRIVE	N201-15-250B	1		
	15 251	BRACKET, SUB TANK	FA01-56-374	1		
	15 350	TANK, SUB	1052-15-350B	1		
	15 351	HOSE, WATER	8871-15-351A	1		
	15 355A	CAP, SUB TANK	1052-15-355A	1		
	18 863C	CLIP	8156-18-863B	1		



**1580A-1 COMPRESSOR BRACKET, PULLEY & BELT (A/C)**

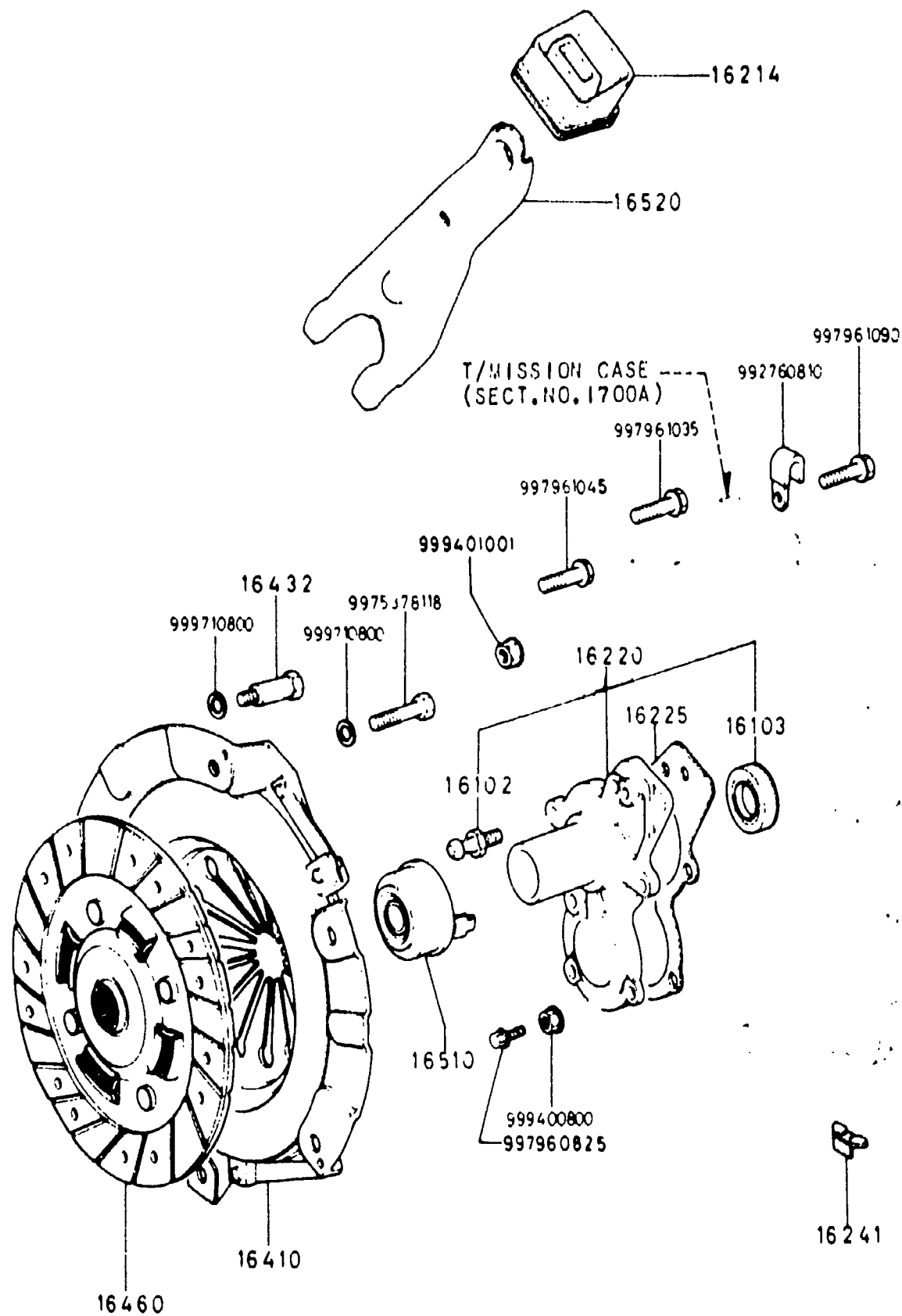
ITEM NO.	D-CODE	DESCRIPTION	PART NO.	QTY	MODEL/DESCRIPTION	REMARKS
	15 906	V-BELT	0000-68-110-00	1		
	15 908	STRAP	8562-15-908	1		
	15 920	BRACKET, COMPRESSOR	8562-15-921	1		



# SECTION INDEX -- ENGINE

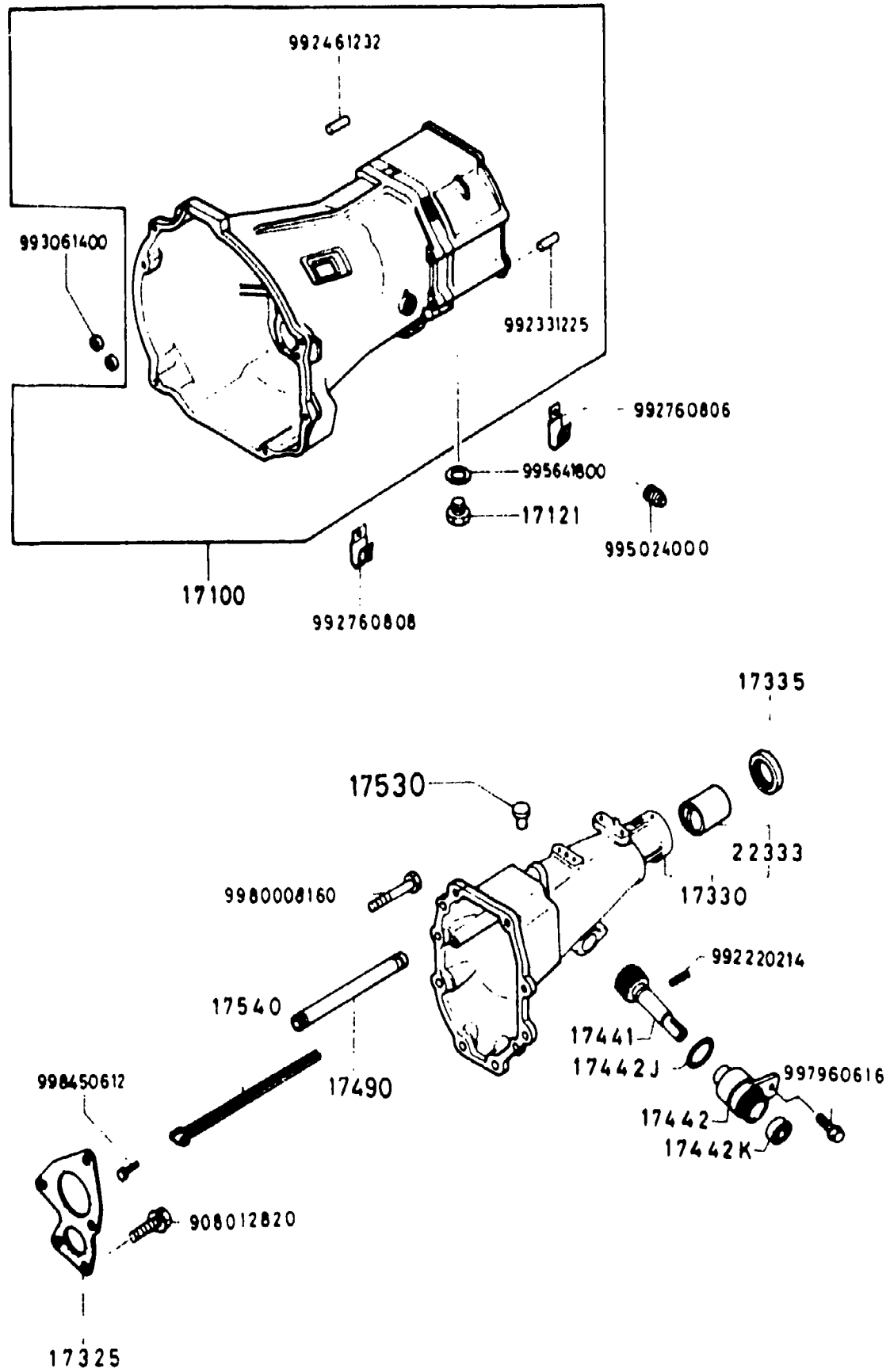
STARTING LOCATION	SECT. NO.	SECTION NAME	STARTING LOCATION	SECT. NO.	SECTION NAME	STARTING LOCATION	SECT. NO.	SECTION NAME
1 - C 3	1000A	SHORT ENGINE BLOCK & GASKET SETS	1 - C 6	1920A	CASE & MAIN CONTROLS (AUTOMATIC TRANSMISSION)			
1 - D 3	1030A	ROTOR HOUSING	1 - E 6	1930A	CLUTCH & PLANETARY GEAR (AUTOMATIC TRANSMISSION)			
1 - E 3	1040A	OIL PAN & REAR HOUSING	1 - G 6	1940A	LOW, REVERSE & GOVERNOR (AUTOMATIC TRANSMISSION)			
1 - G 3	1100A	ECCENTRIC SHAFT & FLYWHEEL	1 - H 6	1950A	MANUAL LINKAGE (AUTOMATIC TRANSMISSION)			
1 - H 3	1110A	ROTOR & RELATED						
1 - I 3	1300A	INTAKE MANIFOLD						
1 - J 3	1310A	EXHAUST MANIFOLD						
1 - K 3	1320A	FUEL SYSTEM						
1 - L 3	1330A	AIR CLEANER						
1 - M 3	1350A	STARTING ASSIST SYSTEM						
1 - N 3	1359A	CARBURETOR, REPAIR KIT, GASKET SET & SCREW SET						
1 - C 4	1360A	CARBURETOR COMPONENTS						
1 - E 4	1371A	EMISSION CONTROLS (AIR PUMP & CONTROL VALVE)						
1 - F 4	1380A	EMISSION CONTROLS (EXHAUST SIDE) ('81 & '82 MODELS)						
1 - H 4	1380AA	EMISSION CONTROLS (EXHAUST SIDE) ('83 MODEL)						
1 - I 4	1400A	OIL PUMP & FILTER ('81 & '82 MODELS)						
1 - J 4	1400AA	OIL PUMP & FILTER ('83 MODEL)						
1 - K 4	1500A	COOLING SYSTEM ('81 & '82 MODELS)						
1 - M 4	1500AA	COOLING SYSTEM ('83 MODEL)						
1 - N 4	1580A	COMPRESSOR BRACKET, PULLEY & BELT (A-C)						
1 - C 5	1600A	CLUTCH (MANUAL)						
1 - D 5	1700A	TRANSMISSION CASE (MANUAL)						
1 - E 5	1710A	TRANSMISSION GEAR (MANUAL)						
1 - G 5	1720A	CHANGE CONTROLS (MANUAL)						
1 - H 5	1800A	ELECTRICAL SYSTEM (ENGINE)						
1 - I 5	1820A	DISTRIBUTOR						
1 - J 5	1830A	ALTERNATOR						
1 - K 5	1840A	STARTER						
1 - M 5	1850A	BATTERY & CABLES						
1 - N 5	1910A	CONVERTER, OIL PUMP & PIPING (AUTOMATIC TRANSMISSION)						

1600A-1 CLUTCH (MANUAL)



ITEM NO.	D-CODE	DESCRIPTION	PART NO.	QTY	MODEL/DESCRIPTION	REMARKS
16 102		PIN, PIVOT	0603-16-102B	1		
16 103		SEAL, OIL	0603-16-103	1		
16 214		COVER, DUST	3975-16-214A	1		
16 220		COVER, FRONT	8540-16-220A	1	'81 MODEL	
			8540-16-220D	1	'82 & '83 MODELS	
16 225		GASKET, FRONT COVER	8540-16-225	1		
16 241		PLUG, BLIND	8540-16-241A	1		
16 410		COVER, CLUTCH	1769-16-410A	1	'81 & '82 MODELS	
			N203-16-410A	1	'83 MODEL	
16 432		BOLT, REAMER	0839-16-432	2	'81 & '82 MODELS	
16 460		DISC, CLUTCH	0862-16-460F	1	'81 & '82 MODELS	
			N203-16-460B	1	'83 MODEL	
16 510		COLLAR, CLUTCH RELEASE	H606-16-510A	1		
16 520		FORK, CLUTCH RELEASE	8540-16-520A	1		

**1700A-1 TRANSMISSION CASE (MANUAL)**

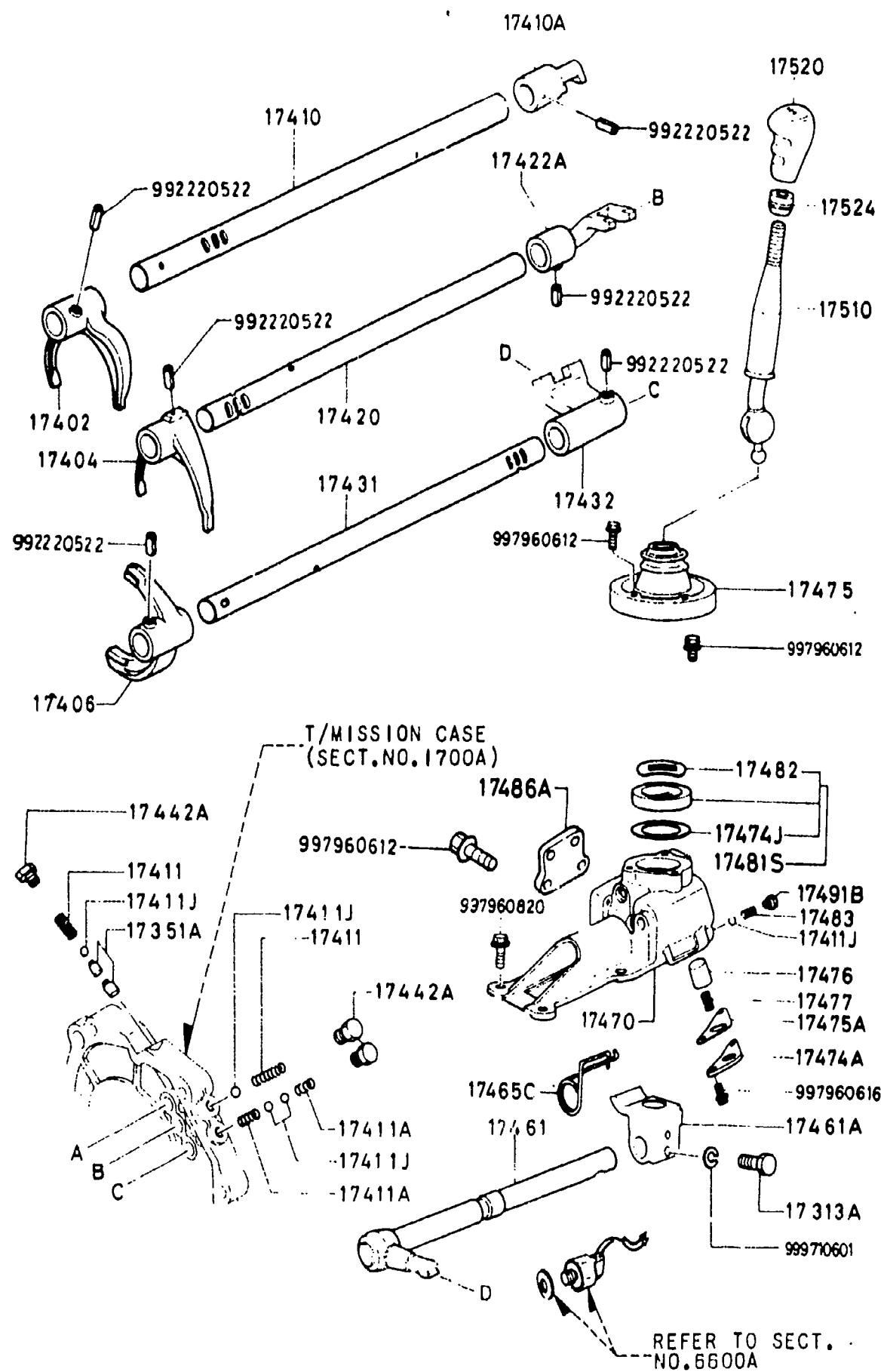


ITEM NO.	D-CODE	DESCRIPTION	PART NO.	QTY	MODEL/DESCRIPTION	REMARKS
17 100		CASE, TRANSMISSION	M503-17-100A	1		
17 121		PLUG, MAGNET DRAIN	0810-17-121	1		
17 325		COVER, BEARING	8086-17-326	1		
17 330		HOUSING, EXTENSION	M501-17-330B	1	'81 MODEL	
17 335		SEAL, OIL	0437-17-335A	1		
17 441		GEAR, DRIVEN	8057-17-441C	1		
17 442		SLEEVE, SPEEDOMETER	1011-17-442A	1		
17 442J		O-RING	1011-17-443	1		
17 442K		SEAL, OIL	9958-60-8166	1		
17 490		COVER	M501-17-490B	1		
17 530		BREATHER, AIR	0884-17-530	1		
17 540		PASS, OIL	M501-17-550A	1		
22 333		BUSHING	0398-22-333	1		



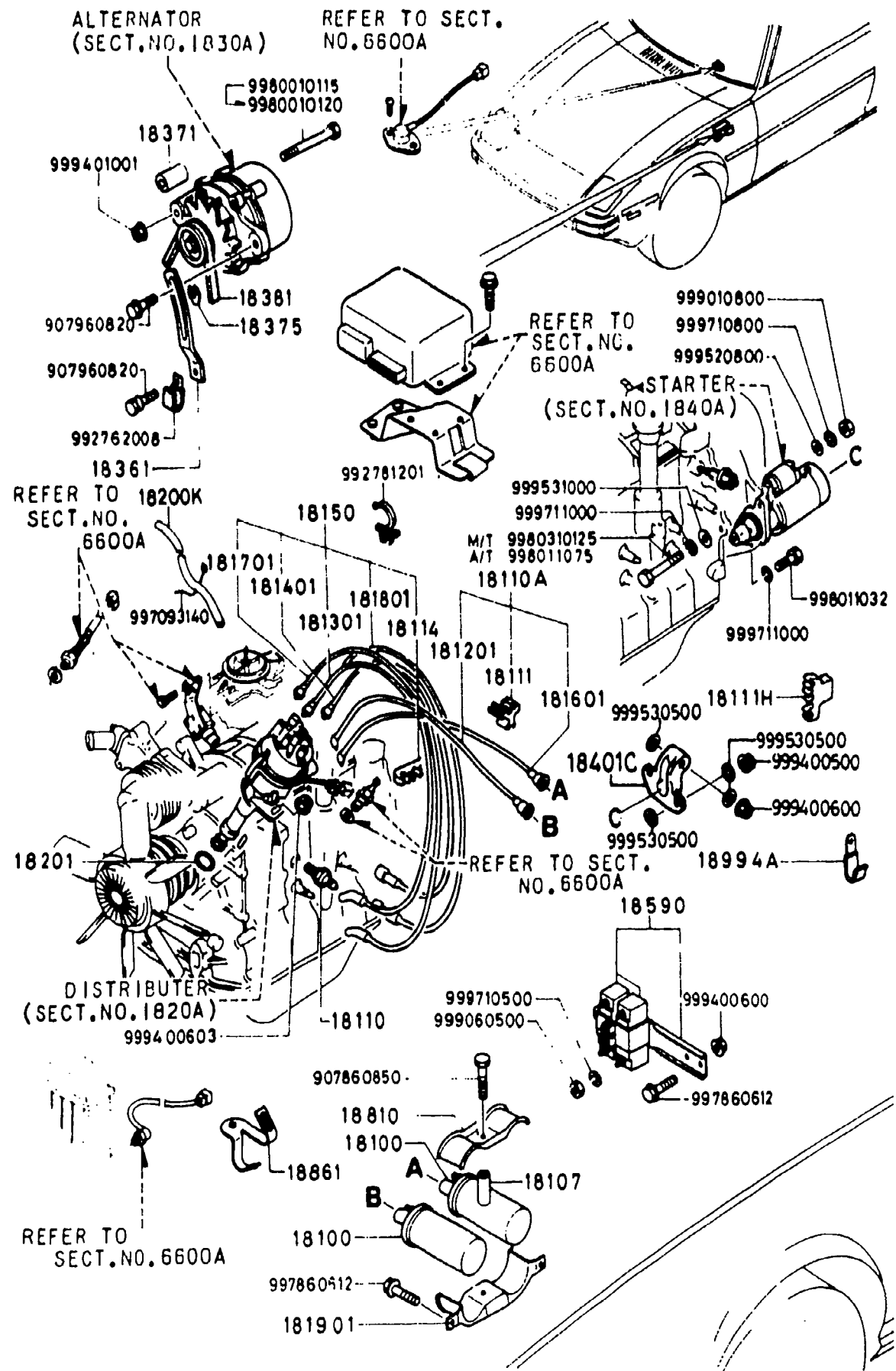


# 1720A-1 CHANGE CONTROLS (MANUAL)



ITEM NO	D-CODE	DESCRIPTION	PART NO.	QTY	MODEL/DESCRIPTION	REMARKS
	17 313A	SCREW SET	0118-17-313B	1		
	17 351A	PIN, INTER LOCK	0114-17-351	2		
	17 402	FORK, SHIFT (1ST & 2ND)	M501-17-402B	1		
	17 404	FORK, SHIFT (3RD & 4TH)	M501-17-404B	1		
	17 406	FORK, SHIFT	M501-17-406A	1	(OVER TOP & REVERSE)	
	17 410	ROD, SHIFT (1ST & 2ND)	M503-17-411	1		
	17 410A	END, SHIFT ROD (1ST & 2ND)	M501-17-412	1		
	17 411	SPRING	0103-17-411	2		
	17 411A	SPRING	0014-17-411	2		
	17 411J	BALL, STEEL	9961-12-500	5	'81 & '82 MODELS	
	17 420	ROD, SHIFT (3RD & 4TH)	M502-17-421A	1		
		< AN >	M503-17-421	1		
	17 422	END, SHIFT ROD (3RD & 4TH)	M501-17-422	1		
	17 431	ROD, SHIFT	M505-17-431A	1	(OVER TOP & REVERSE)	
	17 432	END, SHIFT	M501-17-432	1	(OVER TOP & REVERSE)	
	17 442A	PLUG, CAP	9951-01-000	3	'81 & '82 MODELS	
	17 461	LEVER, CONTROL	M501-17-450	1		
	17 461A	END, CONTROL ROD	M501-17-461A	1		
	17 465C	SPRING, SELECT	M501-17-465B	1		
	17 470	CASE, CHANGE CONTROL	M501-17-470A	1		
	17 474A	CAP, SPRING	M501-17-474	1		
	17 474J	SHIM, ADJUST	9996-33-130	1	'83 MODEL	
	17 475	BOOT, DUST	M501-17-480A	1		
	17 475A	GASKET, SPRING CAP	M501-17-475	1		
	17 476	SPINDLE, SELECT LOCK	M502-17-476A	1		
	17 477	SPRING	M501-17-477	1		
	17 481S	BUSHING SET, CHANGE	0305-99-178	1	'81 & '82 MODELS	
			M503-99-178	1	'83 MODEL	
	17 482	WASHER, WAVE	0303-17-482	1	'81 & '82 MODELS	
			M503-17-482A	1	'83 MODEL	
	17 483	SPRING	0824-17-483	1		
	17 486A	COVER, BLIND	M501-17-486A	1		
	17 491B	CAP, SPRING	0183-17-491	1		
	17 510	LEVER, CHANGE	M501-17-510E	1		
	17 520	KNOB, CHANGE LEVER	M501-17-520	1		
		BLACK	00			
	17 524	NUT, LOCK	M501-17-524	1		

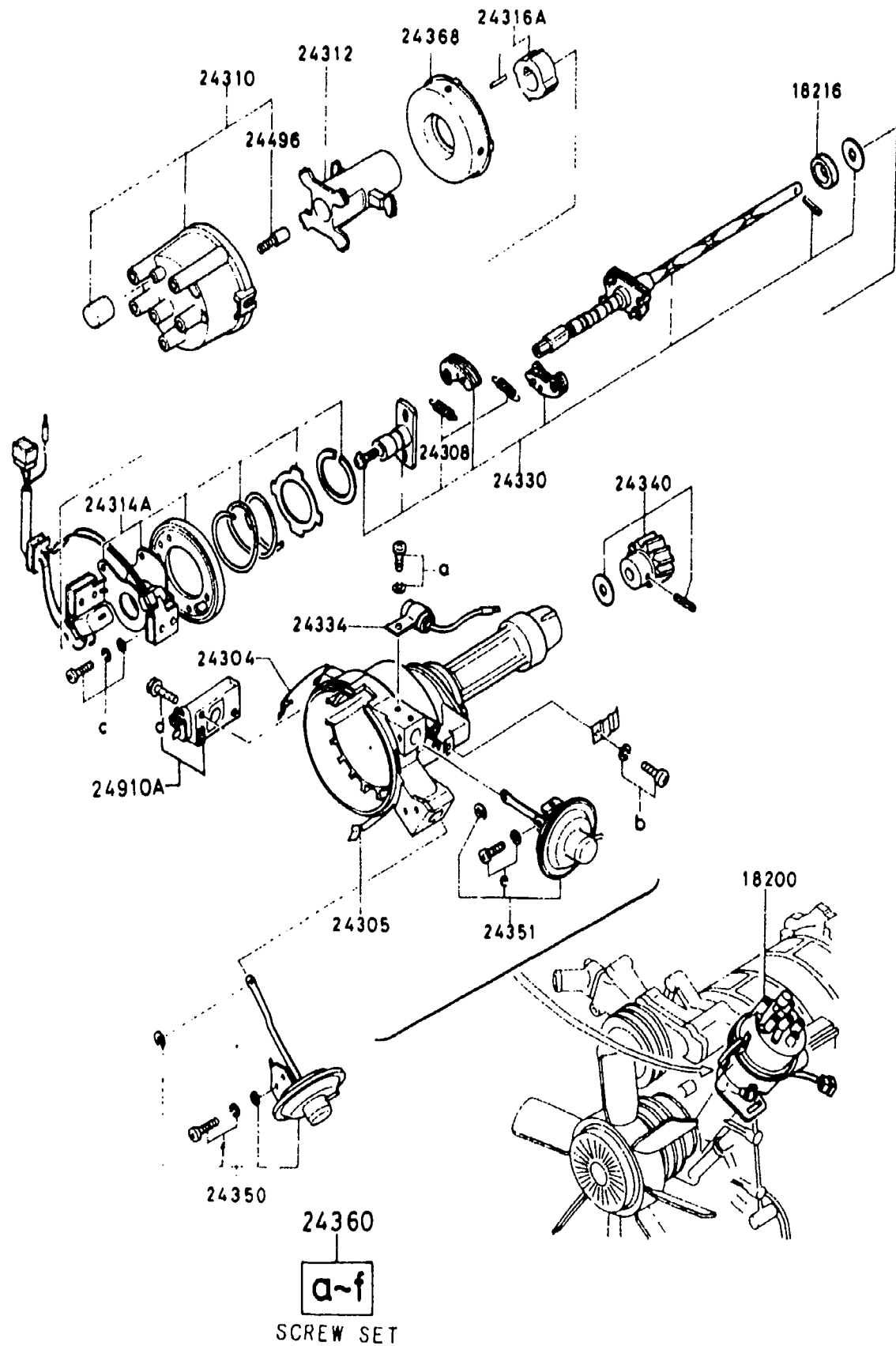
# 1800A-1 ELECTRICAL SYSTEM (ENGINE)



ITEM NO.	D-CODE	DESCRIPTION	PART NO.	QTY	MODEL/DESCRIPTION	REMARKS
18 100		COIL, IGNITION	1480-18-100	2	(HANSHIN MAKE)	
			8245-18-100	2	(MITSUBISHI MAKE)	
18 107		PIPE	8245-18-107	1		
18 110		PLUG, SPARK	N201-18-600	4	(BR8EQ-114 NGK)	
			8AF2-18-110A-BP		(BLISTER PACK)	
			N201-18-600	4	(W25EDR-14 DENSO)	
18 110A		WIRE, HIGH TENSION	8248-18-110	1		
			0000-18-097B	1	HIGH TENSION WIRE SET	
18 111		SUPPORTER	3648-18-111A	1		
18 111H		SUPPORTER	8871-18-111B	1		
18 114		SUPPORTER	0820-18-114	1		
18 1201		WIRE, HIGH TENSION	8248-18-120	1		
18 1301		WIRE, HIGH TENSION	1480-18-130B	1		
18 1401		WIRE, HIGH TENSION	0000-18-097B	1		
18 150		WIRE, HIGH TENSION	0000-18-097B	1		
18 1601		WIRE, HIGH TENSION	1480-18-160A	1		
18 1701		WIRE, HIGH TENSION	1480-18-170B	1		
18 1801		WIRE, HIGH TENSION	8871-18-180A	1		
18 1901		BRACKET, IGNITION COIL	8871-18-810A	1		
18 200K		TUBE, VACUUM	9935-10-4999		BULK QTY.	
18 201		O-RING	9954-10-3501	1		
18 361		STRAP, ALTERNATOR	1881-18-361A	1		
18 371		BRACKET, ALTERNATOR	1757-18-311	1		
18 375		SHIM	0222-18-375	1	(T=0.3)	
			0222-18-376	1	(T=0.5)	
			0222-18-377	1	(T=0.7)	
18 381		V-BELT	8311-18-381A	1		
18 401C		BRACKET, STARTER	N202-18-401	1		
18 590		BRACKET, RESISTOR	8871-18-195A	1		
18 810		BRACKET, IGNITION	8871-18-106C	1		
18 861		CLIP	8341-18-861A	1		
18 994A		CLIP, ENGINE HARNESS	1820-18-994	1		

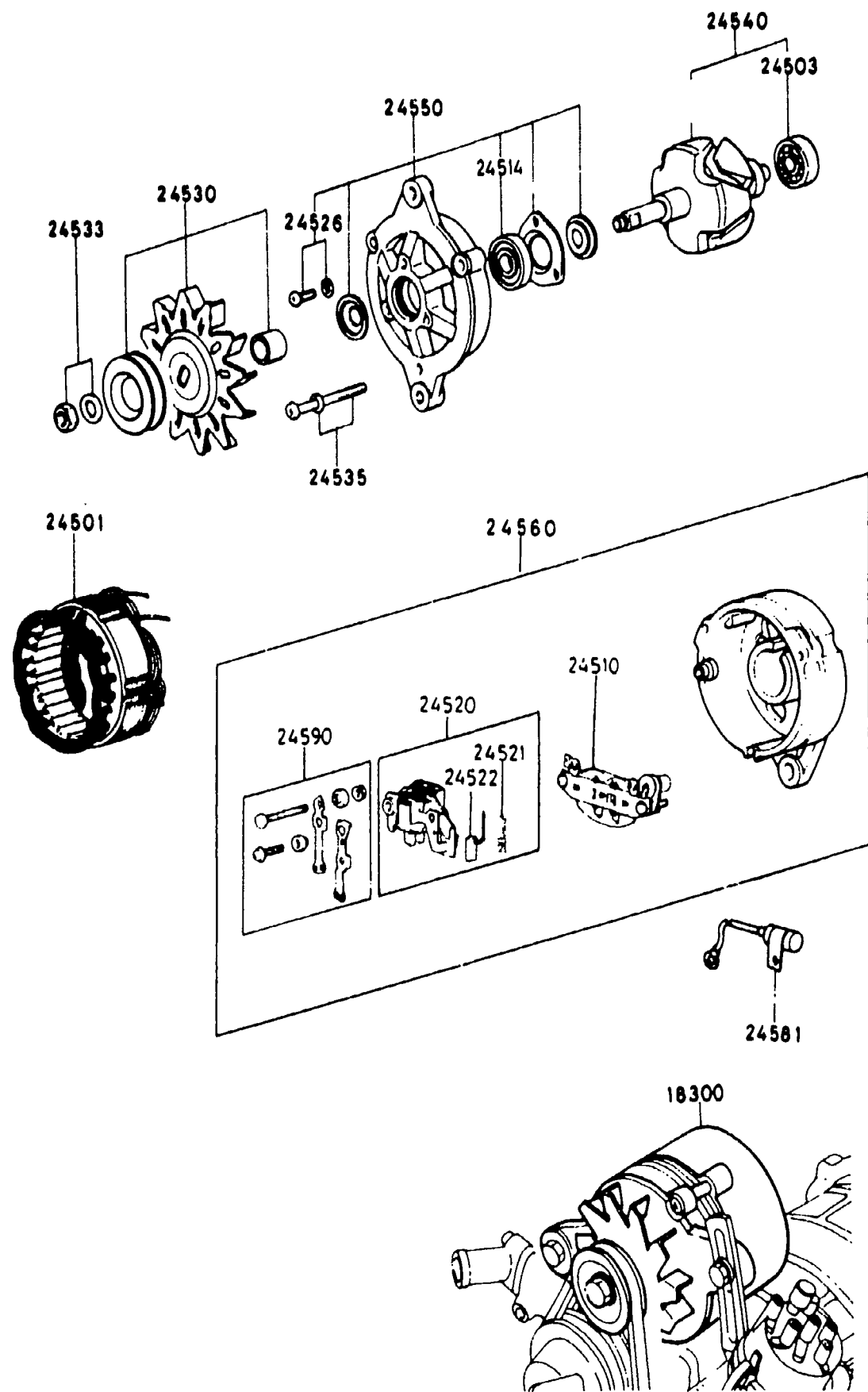


# 1820A-1 DISTRIBUTOR



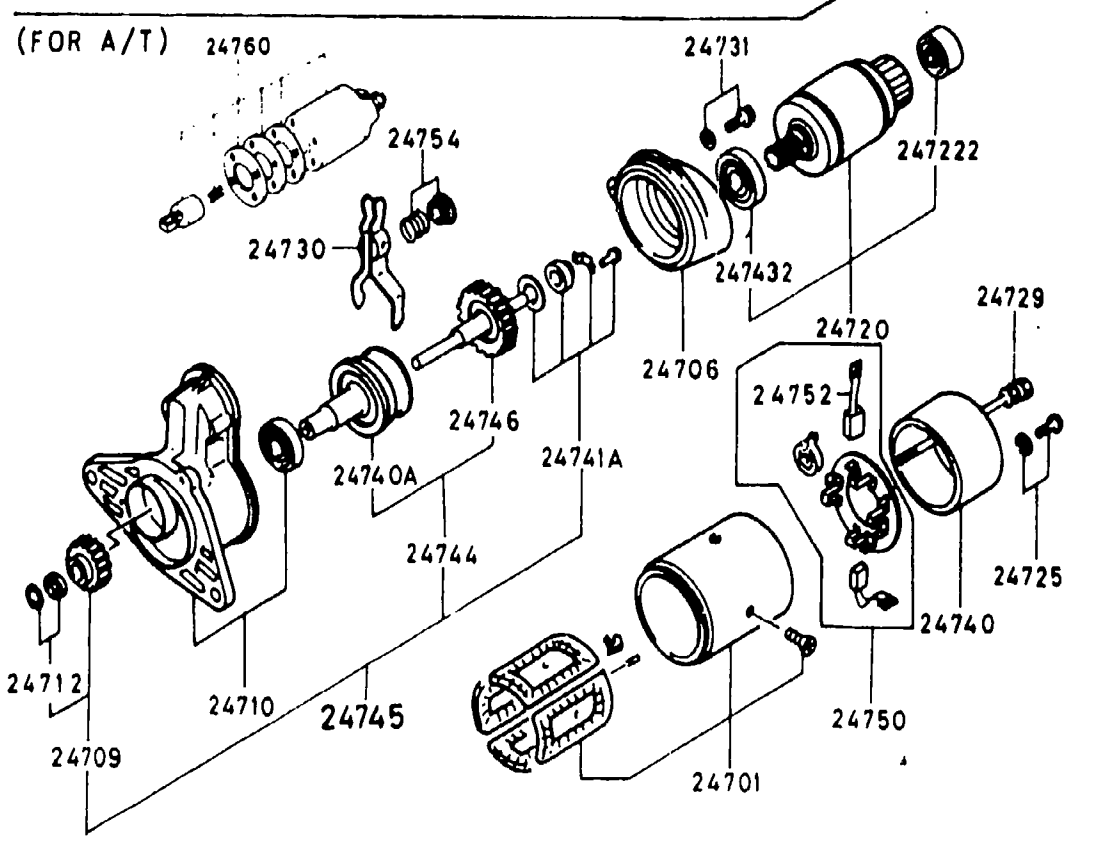
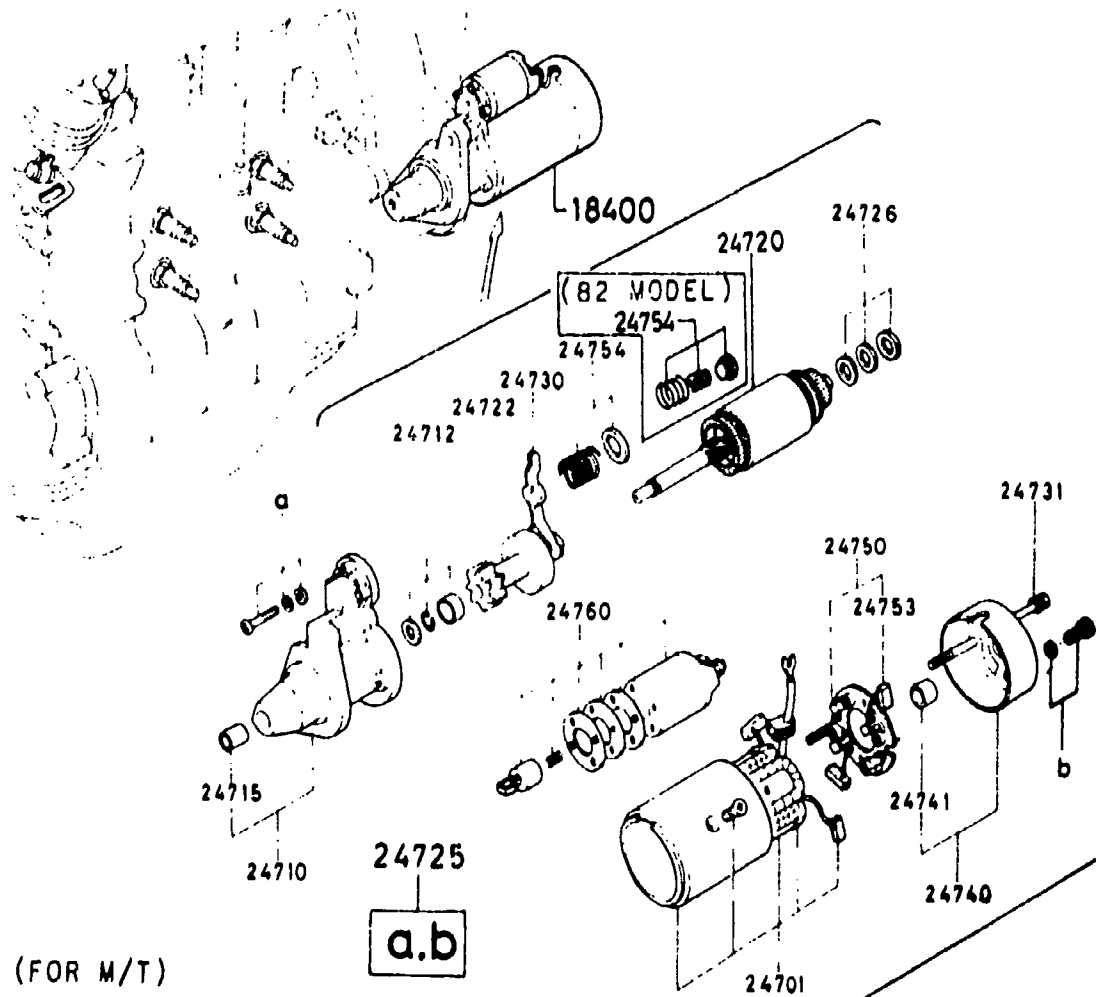
ITEM NO.	D-CODE	DESCRIPTION	PART NO.	QTY	MODEL/DESCRIPTION	REMARKS
18 200		DISTRIBUTOR	N201-18-200	1	'81 & '82 MODELS	
			N249-18-200A	1	'83 MODEL	
18 216		SEAL, OIL	0107-18-216A	1		
24 304		CLAMP	8245-24-304	1		
24 305		CLAMP	8245-24-305	1		
24 308		SPRING SET	1480-24-308	1		
24 310		CAP	8245-24-310B	1		
24 312		ROTOR	8245-24-303A	1		
		CAP & ROTOR	8AF1-24-310A-BP	1	(BLISTER PACK)	
24 314A		PICK-UP SET	8248-24-314	1		
		< A >	N236-24-314	1		
24 316A		ROTOR SET, SIGNAL	8248-24-316	1		
24 330		GOVERNOR SET	N201-24-330	1		
24 334		CONDENSER	1757-24-334	1		
24 340		COUPLING SET	3648-24-340	1		
24 350		VACUUM SET	1480-24-350	1		
		< A >	1480-24-350A	1		
24 351		VACUUM SET	N201-24-351	1	'81 & '82 MODELS	
			N231-24-351	1	'83 MODEL	
24 360		SCREW SET	8248-24-360	1		
24 368		COVER	8245-24-368A	1		
24 496		CONTACT	1757-24-302	1		
24 910A		IGNITER SET	E301-24-910	2		

1830A-1 ALTERNATOR



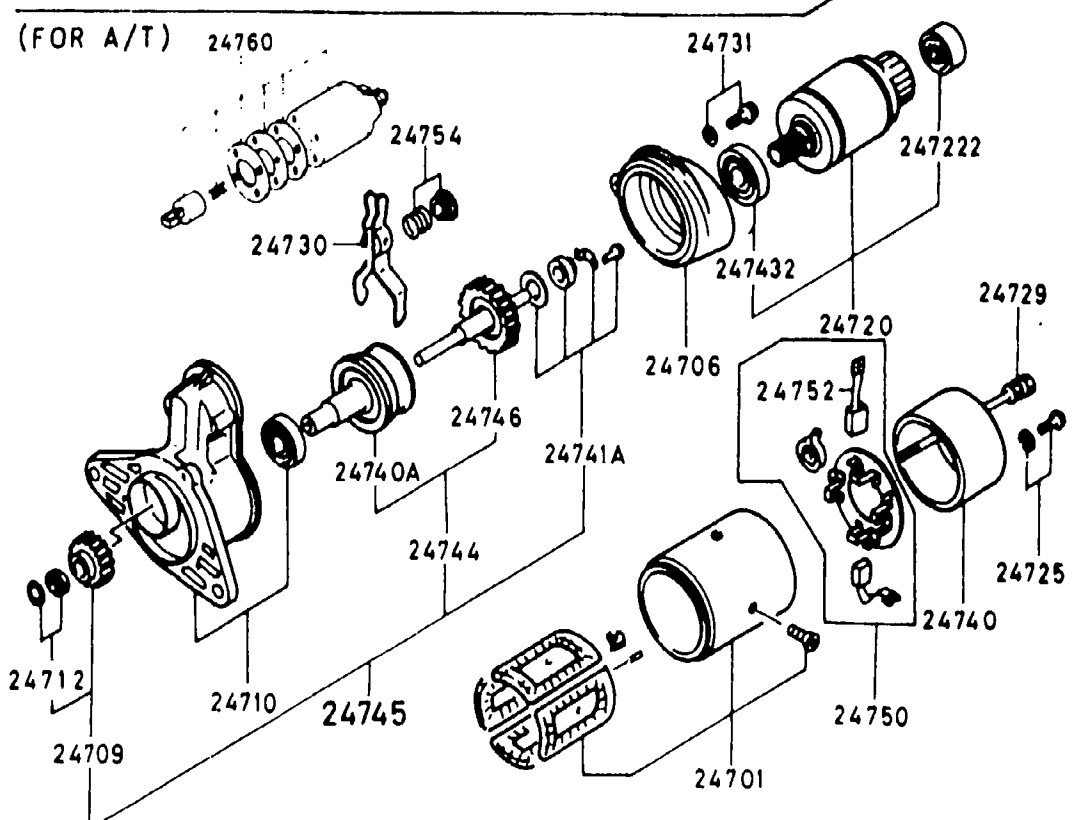
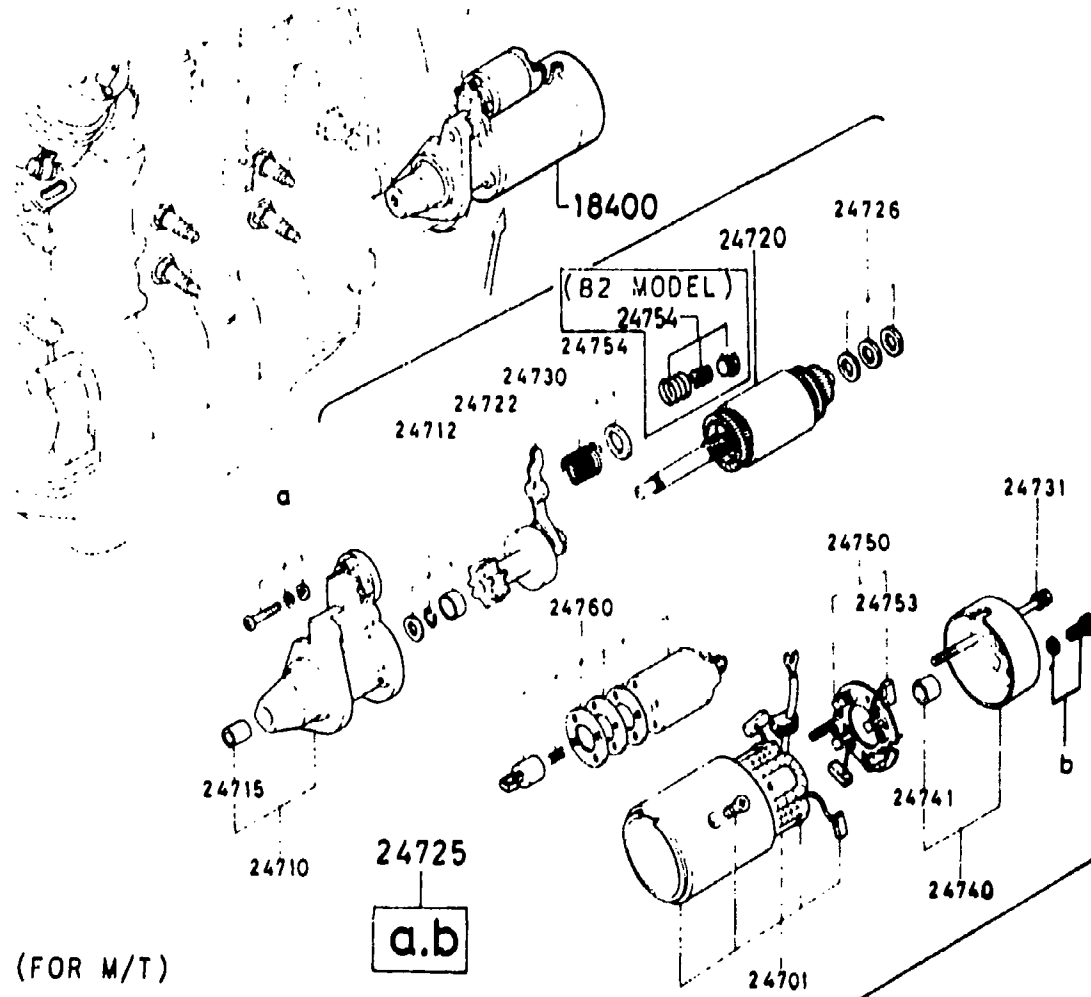
ITEM NO.	D-CODE	DESCRIPTION	PART NO.	QTY	MODEL/DESCRIPTION	REMARKS
18 300		ALTERNATOR REFER TO PARTS BULL. NOS. R-1 & R-5 FOR MORE INFO.	N221-18-300R	1	(REMANUFACTURED)	
24 501		STATOR	8173-24-501A N221-24-501	1	'81 MODEL '82 & '83 MODELS	
24 503		BEARING, BALL	0820-24-503	1		
24 510		RECTIFIER	8173-24-510A N221-24-510	1	'81 MODEL '82 & '83 MODELS	
24 514		BEARING, BALL	0114-18-327 9960-62-202	1	'81 MODEL '82 & '83 MODELS	
24 520		REGULATOR	8173-24-520 N221-24-520	1	'81 MODEL '82 & '83 MODELS	
24 521		SPRING, BRUSH	8173-24-521	2		
24 522		BRUSH	8173-24-522	2		
24 526		SCREW SET	1757-24-526	1		
24 530		PULLEY	1011-24-530 N221-24-530	1	'81 MODEL '82 & '83 MODELS	
24 533		NUT, SET	8028-24-533	1		
24 535		SCREW SET	8028-24-535	1		
24 540		ROTOR	8086-24-540A N221-24-540	1	'81 MODEL '82 & '83 MODELS	
24 550		BRACKET, FRONT	8173-24-550 N221-24-550	1	'81 MODEL '82 & '83 MODELS	
24 560		BRACKET, REAR	8173-24-560 N221-24-560	1	'81 MODEL '82 & '83 MODELS	
24 581		CONDENSER	8086-24-581	1	'81 MODEL	
24 590		TERMINAL SET	4130-24-590 GE01-24-590	1	'81 MODEL '82 & '83 MODELS	

**1840A-1 STARTER**



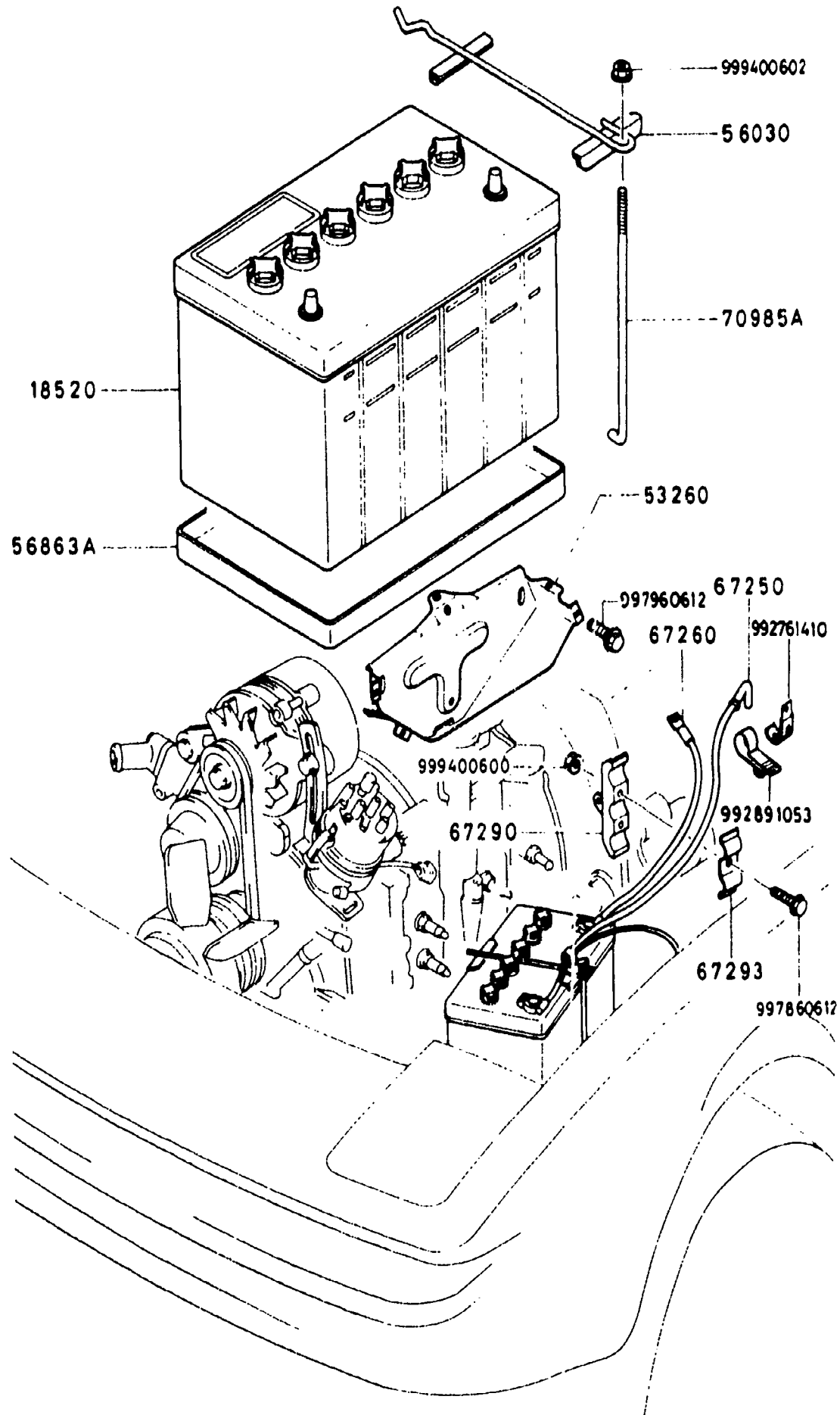
ITEM NO.	D-CODE	DESCRIPTION	PART NO.	QTY	MODEL/DESCRIPTION	REMARKS
18 400		STARTER	N221-18-400R	1	M/T (REMANUFACTURED)	
		REFER TO PARTS BULL. NOS. R-1 & R-5 FOR MORE INFO.				
			N202-18-400R	1	A/T (REMANUFACTURED)	
24 701		YOKE	N221-24-701	1	M/T	
			N202-24-730	1	A/T	
24 706		BRACKET, CENTER	N202-24-721	1	A/T	
24 709		PINION	N202-24-709	1	A/T	
24 710		BRACKET, FRONT	1757-24-710C	1	M/T '81 & '82 MODELS THRU OCT. '81 PROD.	FB331 ..500001-622565
			N221-24-710	1	M/T '82 & '83 MODELS THRU NOV. '81 PROD.	EB331 ..622566-
			N202-24-710A	1	A/T	
24 712		STOPPER SET	N202-24-712	1	A/T	
			0426-24-712A	1	M/T	
24 715		SLEEVE, BEARING	0426-24-715A	1	M/T '81 & '82 MODELS THRU OCT. '81 PROD.	FB331 ..500001-622565
			N221-24-715	1	M/T '82 & '83 MODELS FROM NOV. '81 PROD.	FB331 ..622566-
24 720		ARMATURE	3648-24-705	1	M/T '81 & '82 MODELS	FB331 ..500001-622565
			N221-24-705	1	'82 & '83 MODELS M/T	FB331 ..622566-
			N202-24-705	1	A/T	
24 722		CLUTCH, OVER RUNNING	3648-24-709	1	'81 & '82 MODELS M/T THRU OCT. '81 PROD.	FB331 ..500001-622565
			N221-24-709	1	'82 & '83 MODELS M/T FROM NOV. '81 PROD.	FB331 ..622566-
24 7222		BEARING	N202-24-722	1	A/T	
24 725		SCREW SET	8872-24-725	1	'81 MODEL M/T	FB331 ..500001-523691
			0426-24-725	1	M/T	FB331 ..523692-
			N202-24-728	1	A/T	
24 726		WASHER SET	0426-24-726	1	M/T	
24 729		BOLT	N202-24-729	2	'81 & '82 MODELS A/T	FB331 ..500001-610655
			N202-24-729A	1	'82 & '83 MODELS A/T	FB331 ..610656-
24 730		LEVER	0222-24-730	1	'81 MODEL M/T THRU MAR. '81 PROD.	FB331 ..500001-523691
			E301-24-730	1	'81 & '82 MODELS M/T MAR. '81 THRU OCT. '81 PROD.	FB331 ..523692-622565

# 1840A-2 STARTER



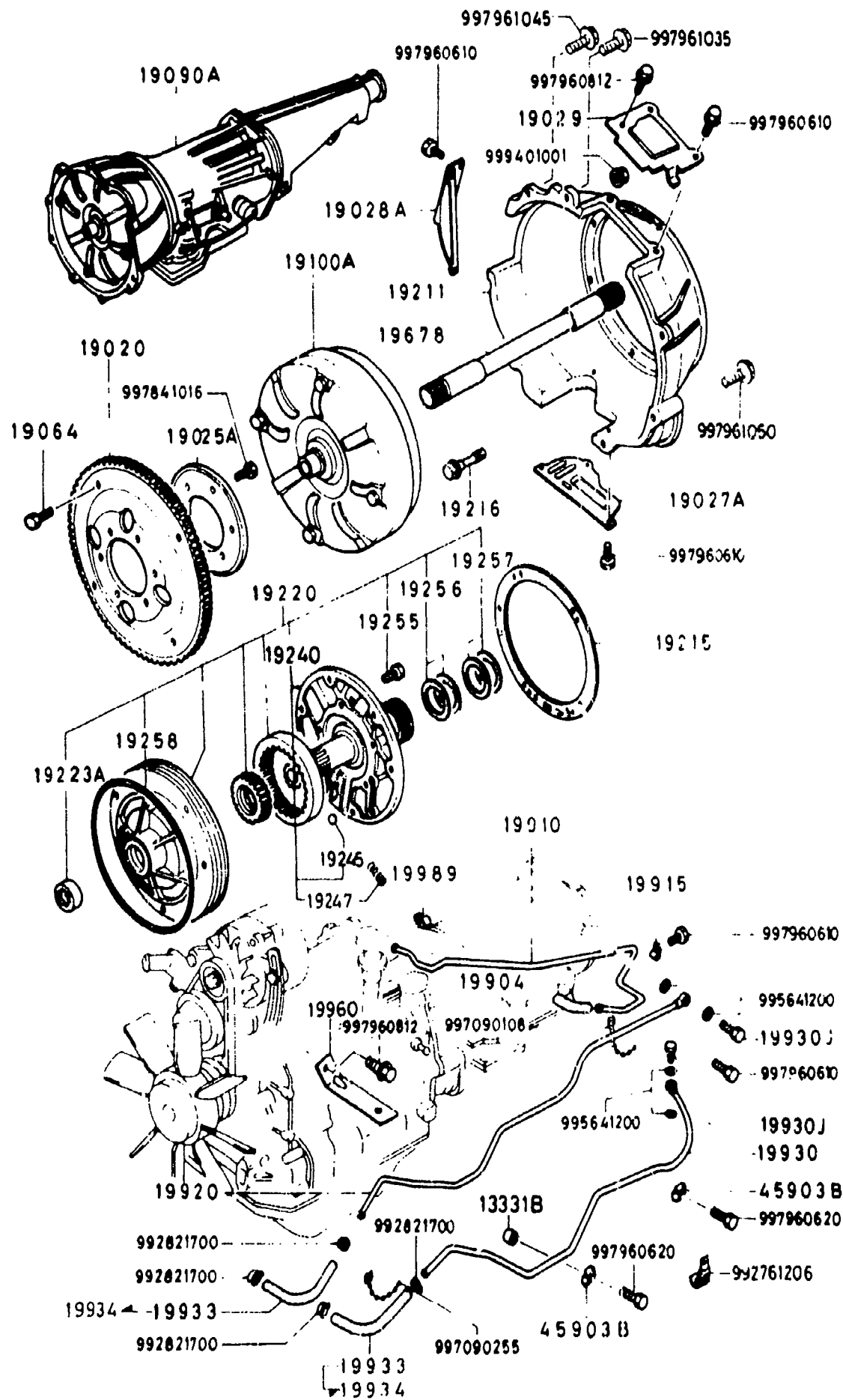
ITEM NO.	D-CODE	DESCRIPTION	PART NO.	QTY	MODEL/DESCRIPTION	REMARKS
24 730 (CONT'D)			N221-24-730	1	'82 & '83 MODELS M/T FROM NOV. '81 PROD.	FB331 ..622566-
24 731		BOLT SET	N202-24-716 0426-24-731	1	A/T '81 & '82 MODELS M/T THRU OCT. '81 PROD.	FB331 ..500001-622565
			1030-24-731A	1	'82 & '83 MODELS M/T FROM NOV. '81 PROD.	FB331 ..622566-
24 740		BRACKET, REAR	N202-24-731 0222-24-740	1	A/T M/T	
24 740A		SHAFT	N202-24-720 N202-24-740	1	A/T A/T	
24 741		SLEEVE, BEARING	0222-24-741	1	M/T	
24 741A		COVER SET	N202-24-741	1	A/T	
24 7432		BEARING	N202-24-743	1	A/T	
24 744		GEAR SET	N202-24-744	1	A/T	
24 745		SHAFT, CLUTCH	N202-24-745	1	A/T	
24 746		GEAR	N202-24-746	1	A/T	
24 750		HOLDER, BRUSH	1758-24-750	1	'81 & '82 MODELS M/T THRU OCT. '81 PROD.	FB331 ..500001-622565
			E301-24-750	1	'82 & '83 MODELS M/T FROM NOV. '81 PROD.	FB331 ..622566-
			N202-24-750	1	A/T	
24 752		SPRING, BRUSH	0222-24-752A	4	A/T	
24 753		BRUSH, YOKE	0222-24-753	2	'81 & '82 MODELS M/T	FB331 ..500001-622565
			E301-24-753	2	'82 & '83 MODELS M/T	FB331 ..622566-
24 754		SPRING SET	N226-24-754	1	'82 & '83 MODELS M/T	FB331 ..622566-
			0426-24-754	1	A/T	
24 760		SWITCH	1757-24-760	1	'81 & '82 MODELS M/T THRU OCT. '81 PROD.	FB331 ..500001-622565
			N226-24-760	1	'82 & '83 MODELS M/T FROM NOV. '81 PROD.	FB331 ..622566-
			8872-24-736	1	A/T	

1850A-1 BATTERY & CABLES



ITEM NO.	D-CODE	DESCRIPTION	PART NO.	QTY	MODEL/DESCRIPTION	REMARKS
18 520		BATTERY REFER TO ACC. BULL. NO. XG-4 FOR MORE BATTERY INFO.	0000-80-124K	1		
53 260		CARRIER, BATTERY	8871-54-260B	1		
56 030		CLAMP, BATTERY	8871-56-030A	1		
56 863A		TRAY, BATTERY	2113-54-295	1		
67 250		CABLE POSITIVE-BATTERY	8871-67-250A	1	M/T	
			8872-67-250B	1	A/T	
67 260		CABLE, GROUND-BATTERY	8871-67-260A	1		
67 290		CLIP, CABLE	1011-67-291A	1		
67 293		CLIP, CABLE	1011-67-293	1		
70 985A		BOLT, CLAMP	0613-65-857A	1		

**1910A-1 CONVERTER, OIL PUMP & PIPING  
(AUTOMATIC TRANSMISSION)**

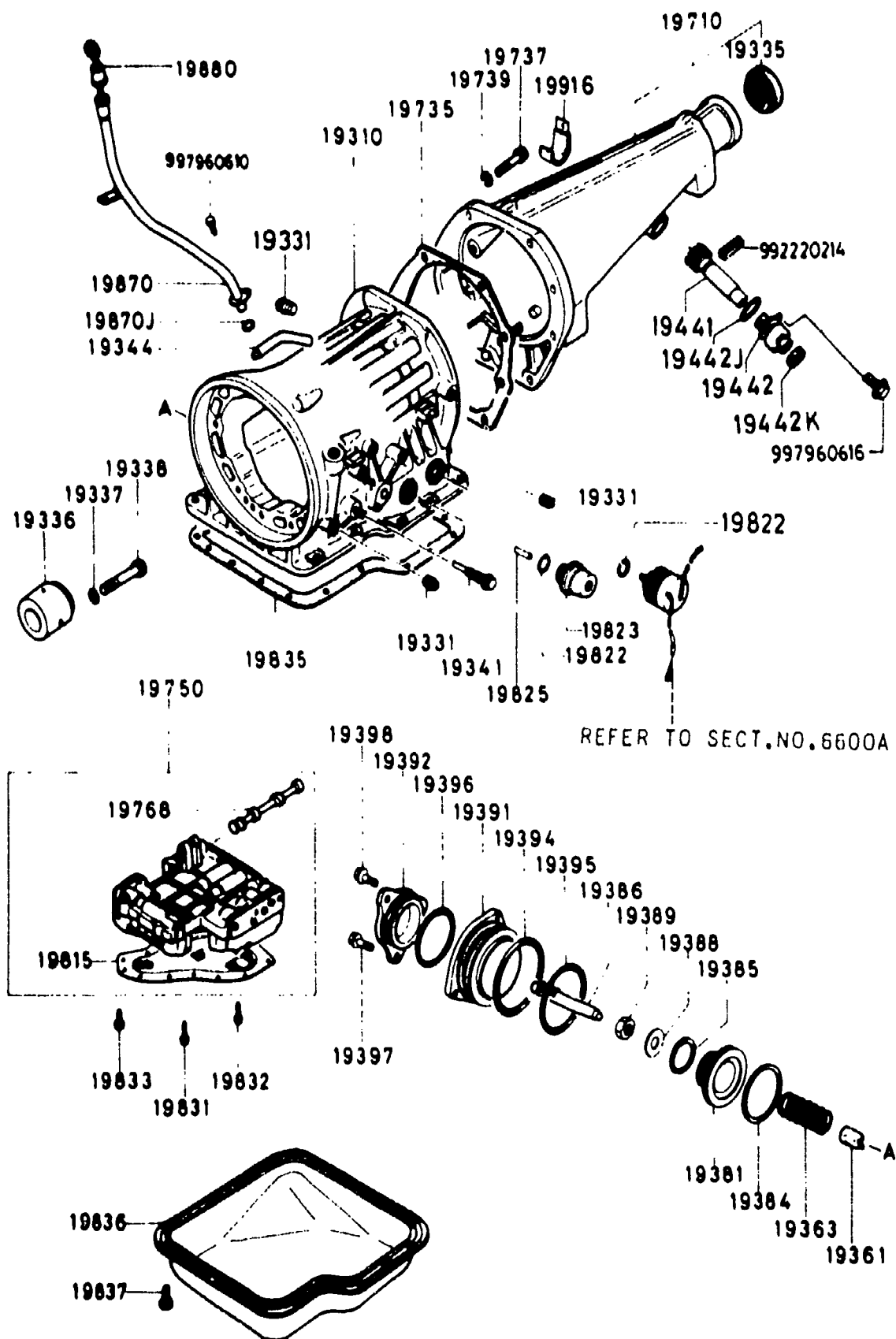


ITEM NO.	D-CODE	DESCRIPTION	PART NO.	QTY	MODEL/DESCRIPTION	REMARKS
	13 331B	SPACER, OIL PIPE	2850-13-331	1		
	19 020	PLATE, DRIVE	1758-19-020B	1		
	19 025A	ADAPTER	0842-19-025	1		
	19 027A	COVER, UNDER	1908-19-027	1		
	19 028A	COVER, SIDE	0454-19-028A	1		
	19 029	COVER, TOP	1758-19-028	1	'81 & '82 MODELS	
			AT09-19-028B	1	'83 MODEL	
	19 064	BOLT	3649-19-064A	4		
	19 090A	TRANSMISSION, COMPLETE	8872-19-090B	1	'81 & '82 MODELS	
			AT09-19-090	1	'83 MODEL	
	19 100A	CONVERTER, TORQUE	1758-19-100	1		
	19 211	HOUSING, CONVERTER	1758-19-211C	1		
	19 215	GASKET, OIL PUMP	8U01-21-253	1		
	19 216	BOLT	0338-19-216	6		
	19 220	PUMP, OIL	1758-19-220	1		
	19 223A	SEAL, OIL	0338-19-223A	1		
	19 240	COVER	1758-19-240	1		
	19 245	BALL	0338-19-245A	2		
	19 247	SPRING	0338-19-247	1		
	19 255	BOLT	0338-19-255	5		
	19 256	RING, SEAL	8U01-19-256	2		
	19 257	RING, SEAL	8U01-19-257	2		
	19 258	SEAL, CUT RING	0338-19-258	1		
	19 678	SHAFT, INPUT	0338-19-678	1		
	19 904	HOSE, VACUUM	0338-19-904A	1		
	19 910	PIPE, VACUUM	8872-19-911	1		
	19 915	CLIP	0842-19-915A	1		
	19 920	PIPE, OIL	8872-19-920	1	'81 & '82 MODELS	
			AT09-19-920A	1	'83 MODEL	
	19 930	PIPE, OIL	8872-19-930A	1	'81 & '82 MODELS	
			AT09-19-930A	1	'83 MODEL	
	19 930J	BOLT, CONNECTOR	9938-10-800	2		
	19 933	HOSE, OIL	1840-19-933	2	'81 & '82 MODELS	
	19 934	HOSE OIL	AT11-19-934A	2	'83 MODEL	
	19 960	BRACKET	AT09-19-961	1	'83 MODEL	
	19 989	CLIP	2579-19-989	1		
	45 903B	CLIP	8173-45-903	3		

# SECTION INDEX -- ENGINE

STARTING LOCATION	SECT. NO.	SECTION NAME	STARTING LOCATION	SECT. NO.	SECTION NAME	STARTING LOCATION	SECT. NO.	SECTION NAME
1 - C 3	1000A	SHORT ENGINE BLOCK & GASKET SETS	1 - E 6	1930A	CLUTCH & PLANETARY GEAR (AUTOMATIC TRANSMISSION)			
1 - D 3	1030A	ROTOR HOUSING	1 - G 6	1940A	LOW, REVERSE & GOVERNOR (AUTOMATIC TRANSMISSION)			
1 - E 3	1040A	OIL PAN & REAR HOUSING	1 - H 6	1950A	MANUAL LINKAGE (AUTOMATIC TRANSMISSION)			
1 - G 3	1100A	ECCENTRIC SHAFT & FLYWHEEL						
1 - H 3	1110A	ROTOR & RELATED						
1 - J 3	1300A	INTAKE MANIFOLD						
1 - J 3	1310A	EXHAUST MANIFOLD						
1 - K 3	1320A	FUEL SYSTEM						
1 - L 3	1330A	AIR CLEANER						
1 - M 3	1350A	STARTING ASSIST SYSTEM						
1 - N 3	1359A	CARBURETOR, REPAIR KIT, GASKET SET & SCREW SET						
1 - C 4	1360A	CARBURETOR COMPONENTS						
1 - E 4	1371A	EMISSION CONTROLS (AIR PUMP & CONTROL VALVE)						
1 - F 4	1380A	EMISSION CONTROLS (EXHAUST SIDE) ('81 & '82 MODELS)						
1 - H 4	1380AA	EMISSION CONTROLS (EXHAUST SIDE) ('83 MODEL)						
1 - J 4	1400A	OIL PUMP & FILTER ('81 & '82 MODELS)						
1 - J 4	1400AA	OIL PUMP & FILTER ('83 MODEL)						
1 - K 4	1500A	COOLING SYSTEM ('81 & '82 MODELS)						
1 - M 4	1500AA	COOLING SYSTEM ('83 MODEL)						
1 - N 4	1580A	COMPRESSOR BRACKET, PULLEY & BELT (A C)						
1 - C 5	1600A	CLUTCH (MANUAL)						
1 - D 5	1700A	TRANSMISSION CASE (MANUAL)						
1 - E 5	1710A	TRANSMISSION GEAR (MANUAL)						
1 - G 5	1720A	CHANGE CONTROLS (MANUAL)						
1 - H 5	1800A	ELECTRICAL SYSTEM (ENGINE)						
1 - I 5	1820A	DISTRIBUTOR						
1 - J 5	1830A	ALTERNATOR						
1 - K 5	1840A	STARTER						
1 - M 5	1850A	BATTERY & CABLES						
1 - N 5	1910A	CONVERTER, OIL PUMP & PIPING (AUTOMATIC TRANSMISSION)						
1 - C 6	1920A	CASE & MAIN CONTR'G (AUTOMATIC TRANSMISSION)						

**1920A-1 CASE & MAIN CONTROLS  
(AUTOMATIC TRANSMISSION)**

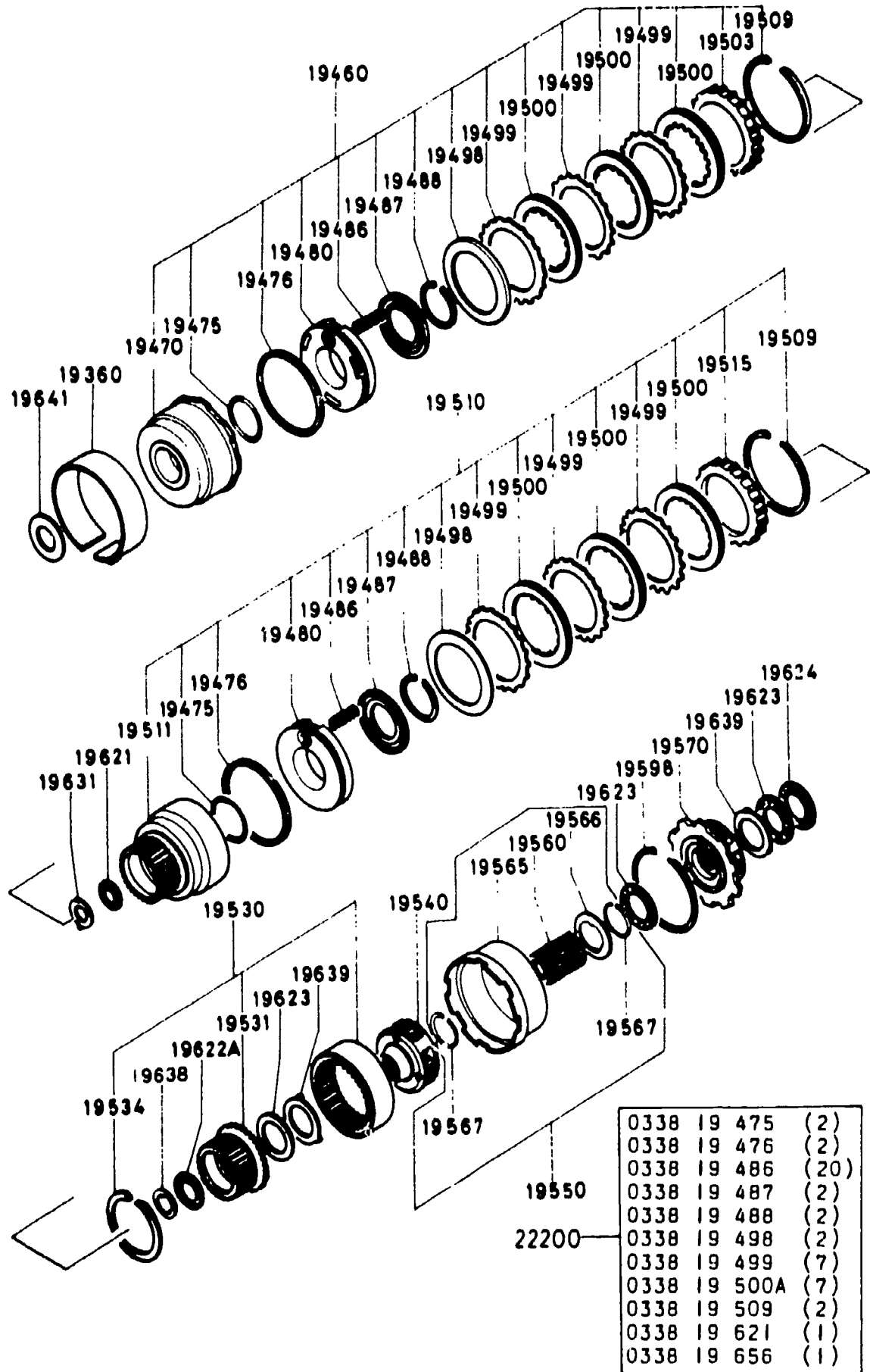


ITEM NO.	D-CODE	DESCRIPTION	PART NO.	QTY	MODEL/DESCRIPTION	REMARKS
	19 310	CASE, TRANSMISSION	1758-19-310C	1	'81 & '82 MODELS	
			AT09-19-310	1	'83 MODEL	
	19 331	PLUG, SQUARE HEAD	0338-19-331A	2		
	19 335	SEAL, OIL	0437-17-335A	1		
	19 336	RACE, INNER	0338-19-336	1		
	19 337	WASHER, PLAIN	0338-19-337	8		
	19 338	BOLT	0338-19-338	8		
	19 341	BOLT, ANCHOR END	1758-19-341	1		
	19 344	BREATHER, AIR	0378-19-344	1		
	19 361	STRUT, BAND	0338-19-361B	1		
	19 363	SPRING, PISTON RETURN	0338-19-363	1		
	19 381	PISTON, BAND SERVO	0842-19-381	1		
	19 384	SEAL, PISTON	0338-19-384	1		
	19 385	SEAL, PISTON	0842-19-385	1		
	19 386	STEM, PISTON	1758-19-386	1		
	19 388	WASHER, PLAIN	0338-19-388A	1		
	19 389	NUT	0338-19-389	1		
	19 391	RETAINER, SERVO	1758-19-391A	1		
	19 392	COVER, SERVO	1758-19-392A	1		
	19 394	SEAL, LEATHER CUT	0842-19-394	1		
	19 395	O-RING	0338-19-395	1		
	19 396	O-RING	1758-19-394A	1		
	19 397	BOLT	0338-19-398	3		
	19 398	BOLT	1758-19-397	3		
	19 441	GEAR, DRIVEN	8562-17-441A	1	'81 MODEL	FB331 ..500001-500075
			8057-17-441C	1		FB331 ..500076-
	19 442	SLEEVE, SPEEDO GEAR	1011-17-442A	1		
	19 442J	O-RING	1011-17-443	1		
	19 442K	SEAL, OIL	9958-60-8166	1		
	19 710	HOUSING, EXTENSION	1840-19-710	1		
	19 735	GASKET, EXTENSION	0338-19-735	1		
	19 737	BOLT	0338-19-737	8		
	19 739	WASHER, PLAIN	0338-19-739	8		
	19 750	VALVE, CONTROL	8872-19-750C	1		
	19 768	VALVE, MANUAL	0338-19-768	1		
	19 815	STRAINER, OIL	1758-19-815	1		
	19 822	SEAL, O-RING	0338-19-822	2		
	19 823	DIAPHRAGM, VACUUM	BT07-19-823	1		
	19 825	ROD, DIAPHRAGM	0338-19-828	1	(L=29.0)	
		< AN >	FT01-19-824	1		



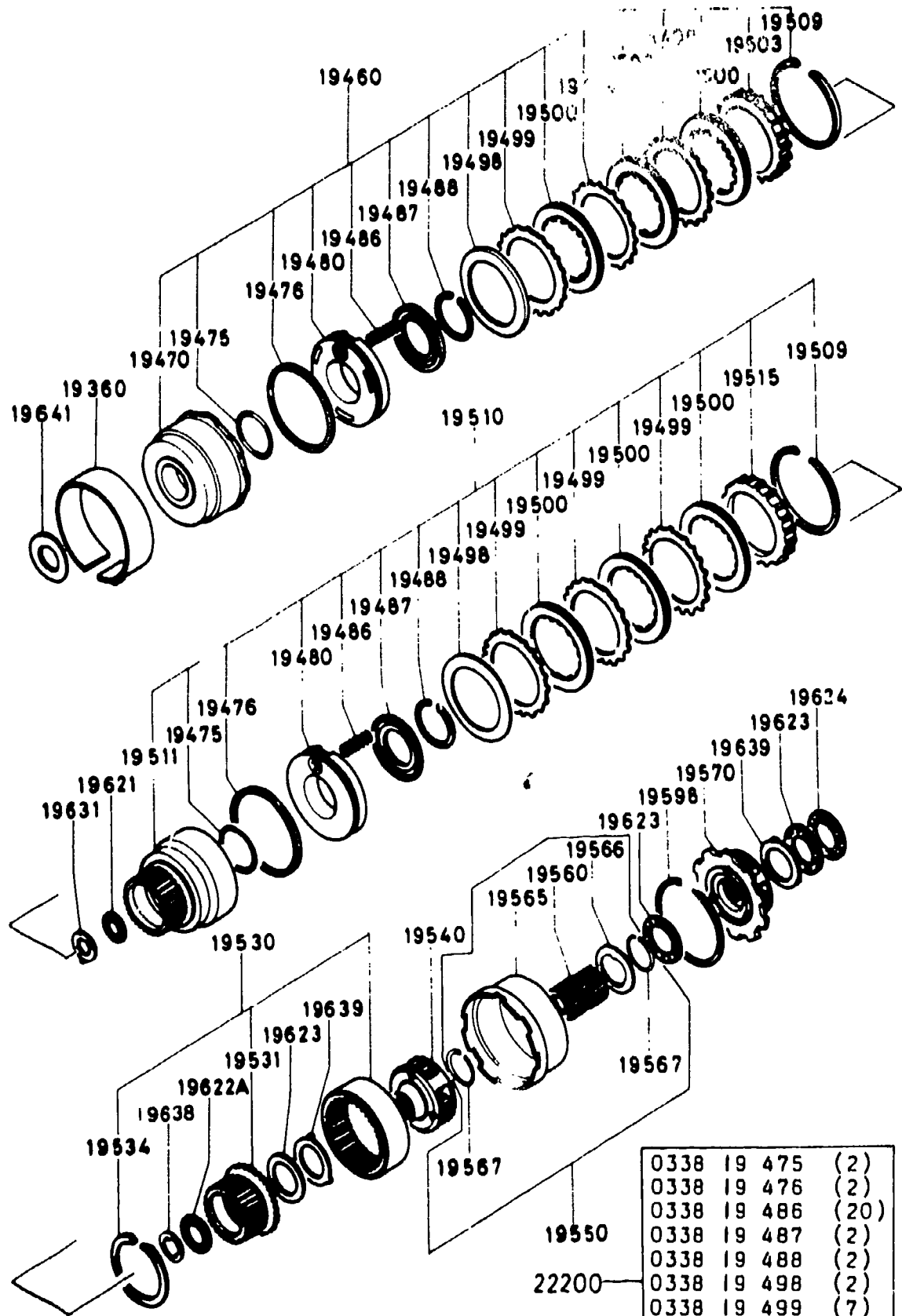


**1930A-1 CLUTCH & PLANETARY GEAR (AUTOMATIC TRANSMISSION)**



ITEM NO.	D-CODE	DESCRIPTION	PART NO.	QTY	MODEL/DESCRIPTION	REMARKS
19 360		BAND, BRAKE	0338-19-360B	1		
19 460		CLUTCH, FRONT	3959-19-460A	1		
19 470		DRUM, CLUTCH	3959-19-470A	1		
19 475		SEAL, O-RING	0338-19-475	2		
19 476		SEAL, LEATHER CUT	0338-19-476	2		
19 480		PISTON, CLUTCH	0338-19-480	2		
19 486		SPRING, PISTON RETURN	0338-19-486	20		
19 487		RETAINER, SPRING	0338-19-487	2		
19 488		RING, SNAP	0338-19-488	2		
19 498		PLATE, DISHED	0338-19-498	2		
		<AN>	BU17-19-498	2		
19 499		PLATE, DRIVEN	0338-19-499	7		
19 500		PLATE, DRIVE	BU17-19-500A	7		
19 503		PLATE, RETAINING	3959-19-503	1	(T=5.0)	
			3959-19-504	1	(T=5.2)	
			3959-19-505	1	(T=5.4)	
			3959-19-506	1	(T=5.6)	
			3959-19-507	1	(T=5.8)	
			3959-19-508	1	(T=6.0)	
			3959-19-509	1	(T=6.2)	
19 509		RING, SNAP	0338-19-509	2		
19 510		CLUTCH, REAR	0338-19-510	1		
19 511		DRUM, REAR CLUTCH	0338-19-511	1		
19 515		PLATE, RETAINING	0338-19-515	1		
19 530		HUB, REAR CLUTCH	0338-19-530	1		
19 531		HUB, REAR CLUTCH	0338-19-531	1		
19 534		RING, SNAP	0338-19-534	1		
19 540		CARRIER, FRONT	0338-19-540	1		
19 550		GEAR, SHELL & SUN	0338-19-550	1		
19 560		GEAR, SUN	0338-19-560	1		
19 565		SHELL, CONNECTING	0338-19-565	1		
19 566		RACE, SHELL BEARING	0338-19-566	1		
19 567		RING, SNAP	0338-19-567	1		
19 570		CARRIER, REAR	0338-19-570	1		
19 598		RING, SNAP	0338-19-598	1		
19 621		BEARING, NEEDLE	0338-19-621	1		
19 622A		BEARING, NEEDLE	0338-19-622	2		
19 623		BEARING, NEEDLE	0338-19-623A	3		
19 624		BEARING, NEEDLE	0338-19-624	1		
19 631		RACE, BEARING PUMP COVER	0338-19-631	1	(T=1.2)	

**1930A-2 CLUTCH & PLANETARY GF  
(AUTOMATIC TRANSMIS**

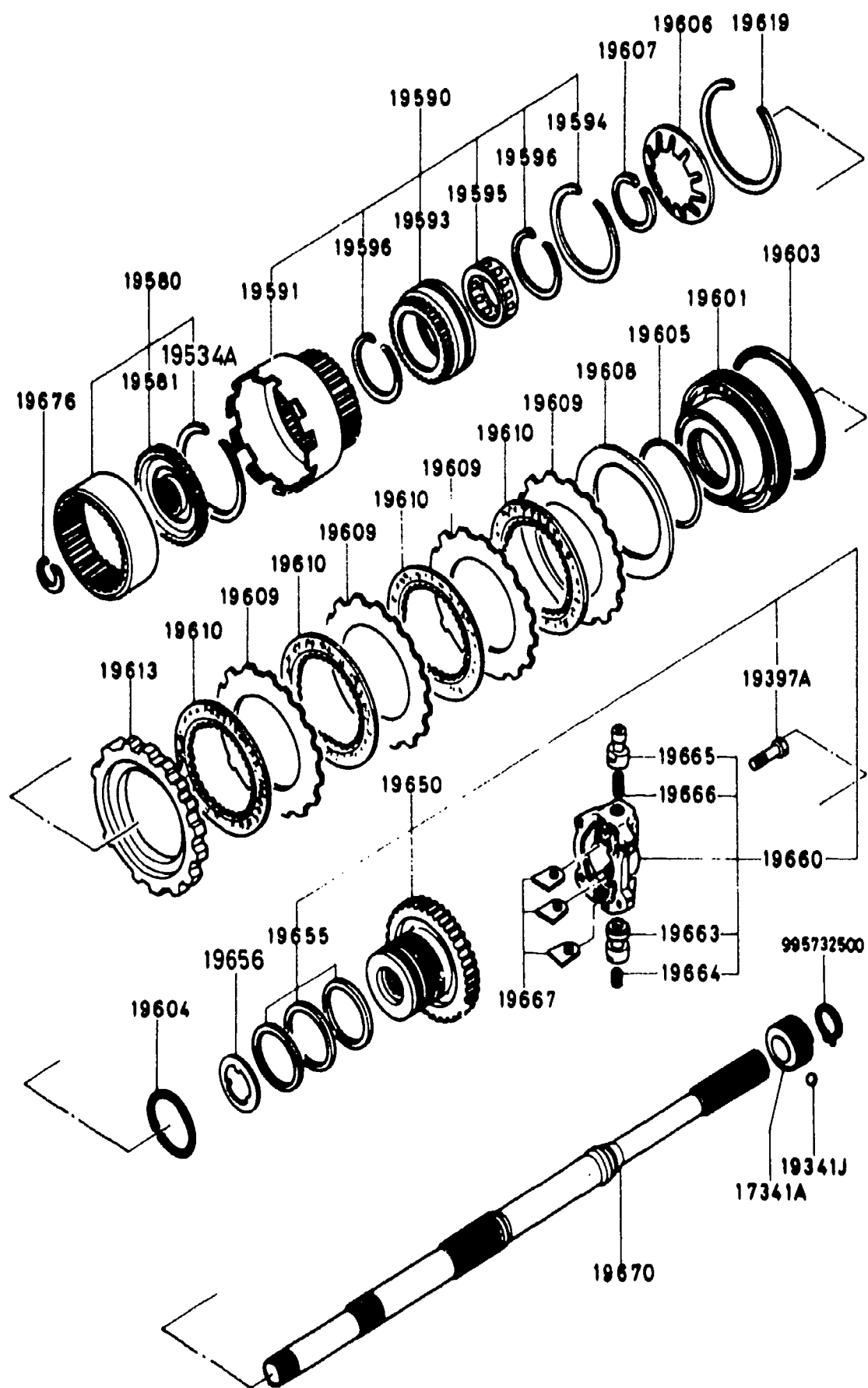


0338	19 475	(2)
0338	19 476	(2)
0338	19 486	(20)
0338	19 487	(2)
0338	19 488	(2)
0338	19 498	(2)
0338	19 499	(7)
0338	19 500A	(7)
0338	19 509	(2)
0338	19 621	(1)
0338	19 656	(1)

CLUTCH REPAIR KIT

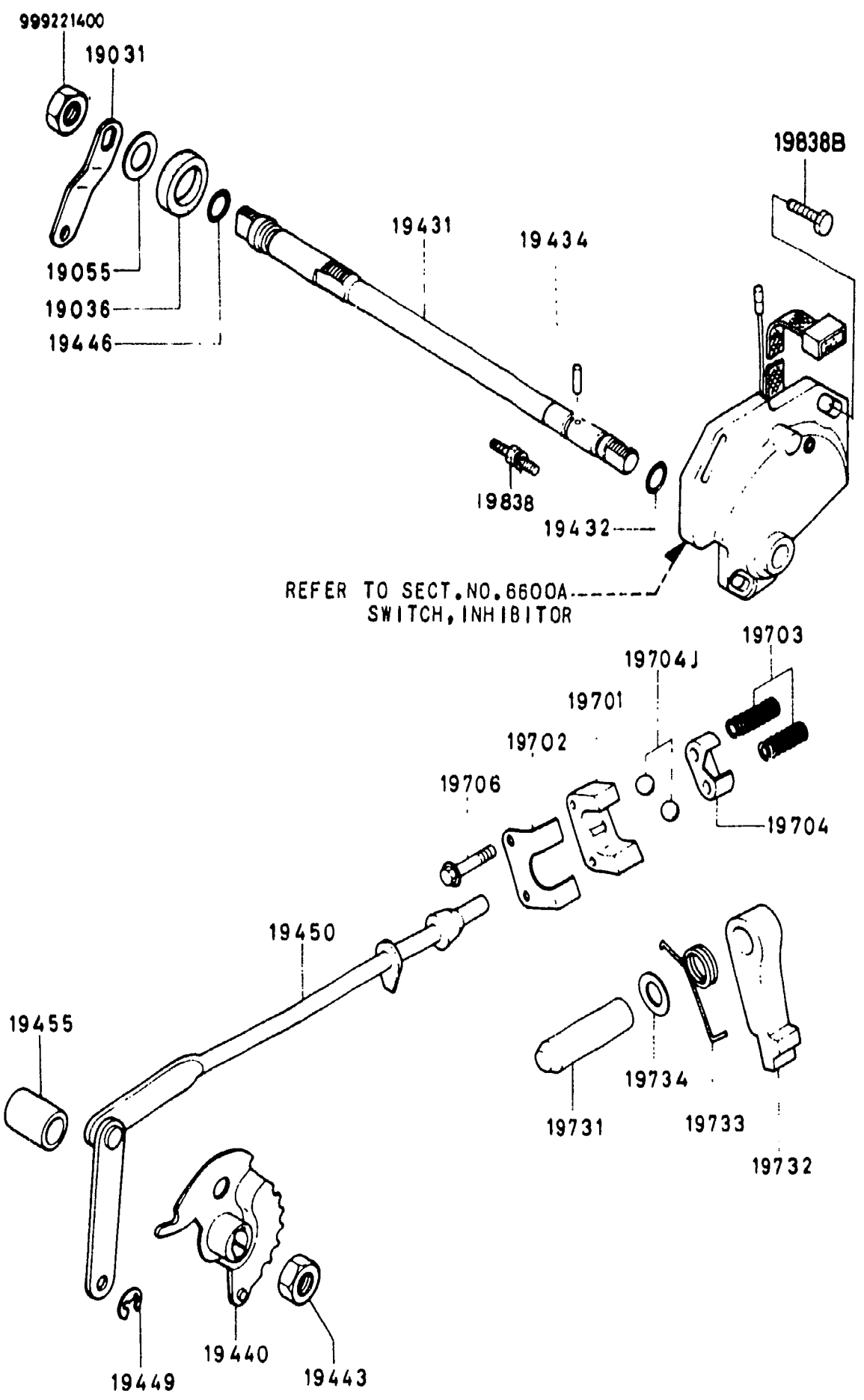
ITEM NO.	D-CODE	DESCRIPTION	PART NO.	QTY	MODEL/DESCRIPTION	REMARKS
19 631	(CONT'D)		0338-19-632	1	(T=1.4)	
			0338-19-633	1	(T=1.6)	
			0338-19-634	1	(T=1.8)	
			0338-19-635	1	(T=2.0)	
			0338-19-636	1	(T=2.2)	
19 638		RACE, BEARING REAR CLUTCH	0436-19-656	2		
19 639		RACE, BEARING	0338-19-639	2		
19 641		WASHER, FRONT CLUTCH	0338-19-648	1	(T=1.3)	
			0338-19-646	1	(T=1.5)	
			0338-19-647	1	(T=1.7)	
			0338-19-641	1	(T=1.9)	
			0338-19-642	1	(T=2.1)	
			0338-19-643	1	(T=2.3)	
			0338-19-644	1	(T=2.5)	
			0338-19-645	1	(T=2.7)	
22 200		REPAIR KIT, CLUTCH	0397-22-200	1	'81 & '82 MODELS	

**1940A-1 LOW, REVERSE & GOVERNOR  
(AUTOMATIC TRANSMISSION)**



ITEM NO.	D-CODE	DESCRIPTION	PART NO.	QTY	MODEL/DESCRIPTION	REMARKS
	17 341A	GEAR, SPEEDOMETER	3728-17-341A	1		
	19 341J	BALL, STEEL	9961-11-500	1	'81 & '82 MODELS	
	19 397A	BOLT	0338-19-398	4		
	19 534A	RING, SNAP	0338-19-534	1		
	19 580	FLANGE	0338-19-580	1		
	19 581	FLANGE, DRIVE	0338-19-581	1		
	19 590	DRUM, CONNECTING	0338-19-590	1		
	19 591	DRUM, CONNECTING	0338-19-591	1		
	19 593	RACE, OUTER	0338-19-593	1		
	19 594	RING, SNAP	0338-19-594	1		
	19 595	CLUTCH, ONE-WAY	0338-19-595	1		
	19 596	RING, SNAP	0338-19-596	2		
	19 601	PISTON, LOW & REVERSE	8T08-19-600	1		
	19 603	SEAL, PISTON	0338-19-603	1		
	19 604	SEAL, O-RING	0338-19-604	1		
	19 605	RING, THRUST SPRING	0338-19-605	1		
	19 606	SPRING, PISTON	0338-19-606	1		
	19 607	RING, SNAP	0338-19-607	1		
	19 608	PLATE, DISHED	0338-19-608	1		
	19 609	PLATE, DRIVEN	0338-19-609	4		
	19 610	PLATE, DRIVE	0338-19-610A	4		
	19 613	PLATE, RETAINING	1758-19-613	1	(T=7.8)	
			1758-19-614	1	(T=8.0)	
			1758-19-615	1	(T=8.2)	
			1758-19-616	1	(T=8.4)	
			1758-19-617	1	(T=8.6)	
			1758-19-618	1	(T=8.8)	
	19 619	RING, SNAP	0338-19-619	1		
	19 650	DISTRIBUTOR, OIL	0842-19-650	1		
	19 655	RING, SEAL	0338-19-655	3		
	19 656	RACE, BEARING	0436-19-656	2	'81 & '82 MODELS	
	19 660	GOVERNOR	0842-19-660	1		
	19 663	VALVE	0338-19-663	1		
	19 664	SPRING	0338-19-664	1		
	19 665	VALVE	0842-19-665	1		
	19 666	SPRING, GOVERNOR	0338-19-666	1		
	19 667	PLATE, RETAINER	0338-19-667	3		
	19 670	SHAFT	0338-19-670A	1		
	19 676	RING	0338-19-676	1		

**1950A-1 MANUAL LINKAGE  
(AUTOMATIC TRANSMISSION)**



ITEM NO.	D-CODE	DESCRIPTION	PART NO.	QTY	MODEL/DESCRIPTION	REMARKS
	19 031	LEVER, SELECT	8872-19-031	1		
	19 036	SEAL, DUST	1758-19-036A	1		
	19 055	WASHER	1758-19-055	1		
	19 431	SHAFT, MANUAL	1758-19-431A	1		
	19 432	O-RING	9954-10-0901	1	'81 & '82 MODELS	
				2	'83 MODEL	
	19 434	PIN	1758-19-434	1		
	19 440	PLATE, MANUAL	1758-19-440A	1		
	19 443	NUT, SHAFT	1758-19-443	1		
	19 446	O-RING	9954-10-1201	1		
	19 449	RING, SNAP	0338-19-449	1		
	19 450	ROD, PARKING	1758-19-450	1		
	19 455	SLEEVE	1758-19-455A	1		
	19 701	SUPPORTER, ACTUATOR	0338-19-701A	1		
	19 702	PLATE, RETAINING	0338-19-702A	1		
	19 703	SPRING, BALL PARK	0338-19-703	2		
	19 704	RETAINER	0338-19-704	1		
	19 704J	BALL, STEEL	9961-12-750	2	'81 & '82 MODELS	
	19 706	BOLT	0338-19-706	2		
	19 731	SHAFT, PARKING PAWL	0338-19-731	1		
	19 732	PAWL, PARKING	0338-19-732	1		
	19 733	SPRING, PAWL RETURN	0338-19-733C	1		
	19 734	SPACER, DOWEL	0338-19-734A	1		
	19 838	BOLT	8872-19-838A	1		
	19 838B	BOLT	1758-19-838	2		

**ENGINE**

**CHASSIS**



**ENGINE**

**CHASSIS**



**ENGINE**

**CHASSIS**





**ENGINE**

**CHASSIS**



**ENGINE**

**CHASSIS**



**ENGINE**



**CHASSIS**



**ENGINE**

**CHASSIS**



**ENGINE**

**CHASSIS**



**ENGINE**

**CHASSIS**



**ENGINE**

**CHASSIS**



**ENGINE**

**CHASSIS**





**ENGINE**

**CHASSIS**



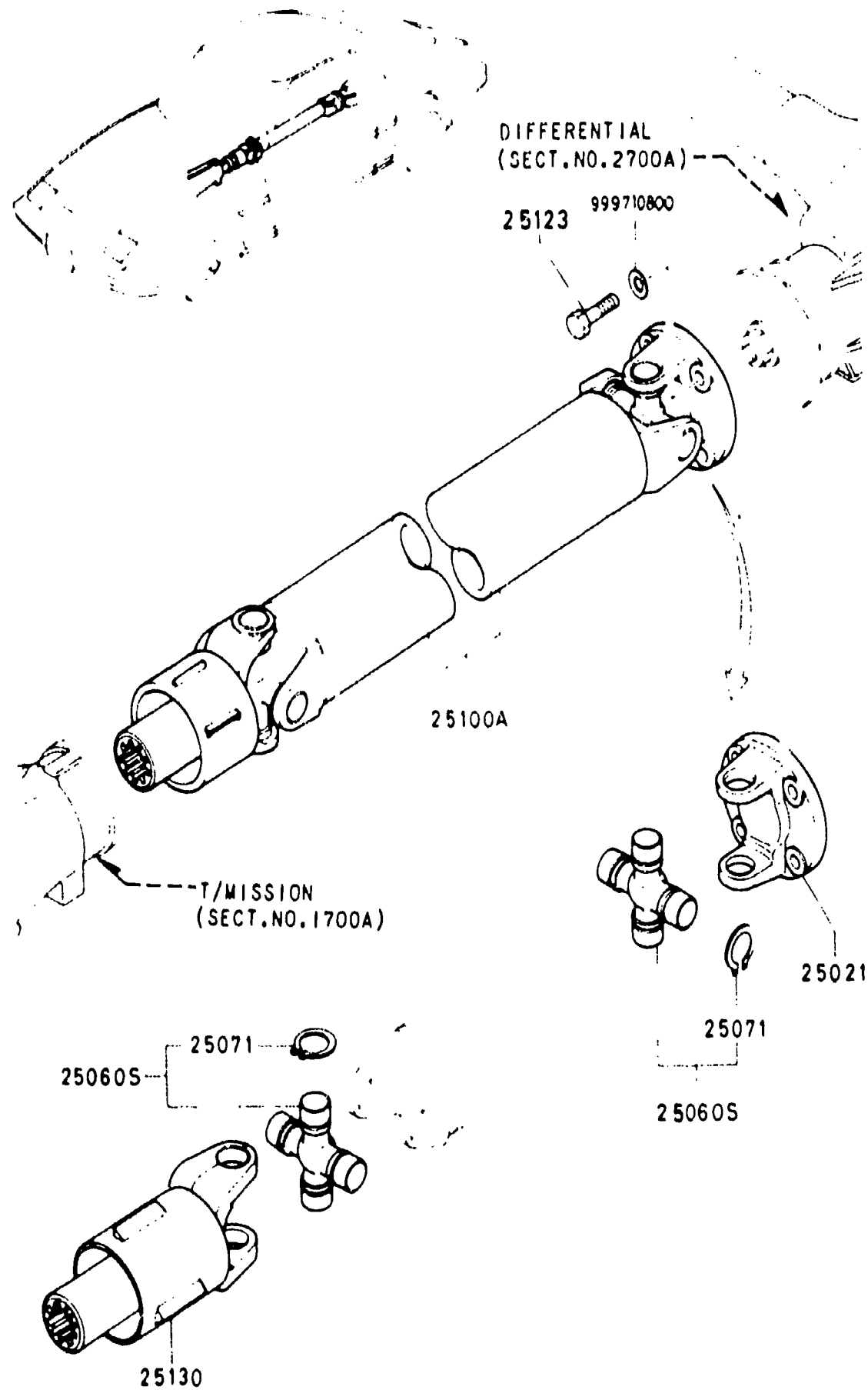
**ENGINE**

**CHASSIS**

# SECTION INDEX -- CHASSIS

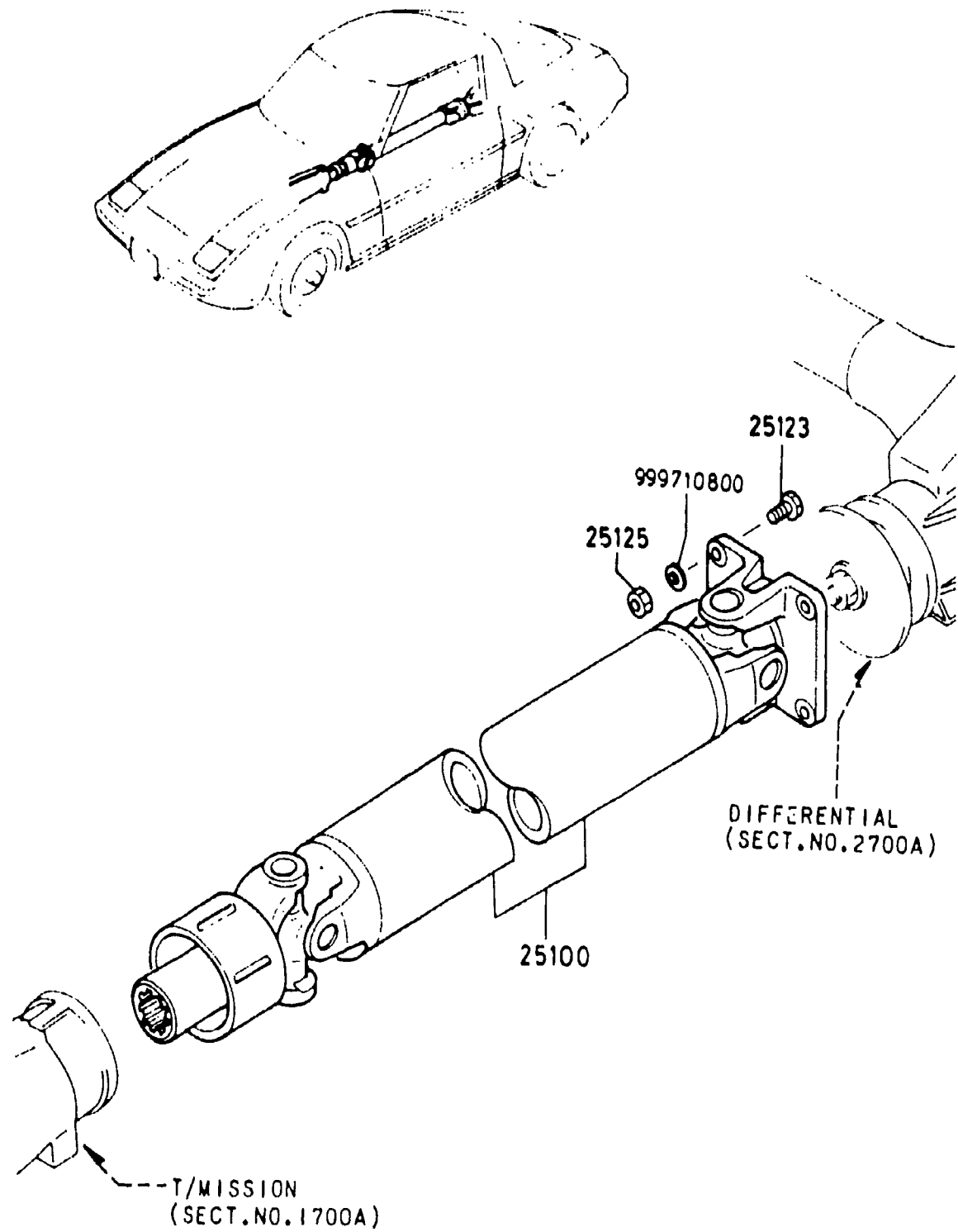
STARTING LOCATION	SECT. NO.	SECTION NAME	STARTING LOCATION	SECT. NO.	SECTION NAME	STARTING LOCATION	SECT. NO.	SECTION NAME
1 - C 8	2500A	PROPELLER SHAFT (81 & '82 MODELS)						
1 - D 8	2500AA	PROPELLER SHAFT '83 MODEL)						
1 - E 8	2500A	REAR AXLE						
1 - F 8	2610A	REAR BRAKES (DRUM BRAKE) (S & GS)						
1 - G 8	2610AA	REAR BRAKES (DISC BRAKE) (GSL)						
1 - H 8	2700A	DIFFERENTIAL						
1 - J 8	2800A	REAR SUSPENSION						
1 - K 8	2810A	STABILIZER						
1 - L 8	3200A	STEERING WHEEL						
1 - M 8	3210A	STEERING GEAR & COLUMN						
1 - N 8	3230A	STEERING LINKAGE						
1 - C 9	3300A	FRONT AXLE & BRAKES						
1 - D 9	3400A	FRONT SUSPENSION						
1 - E 9	3410A	CROSS MEMBER & STABILIZER						
1 - F 9	3700A	TIRE & JACK						
1 - H 9	3900A	ENGINE & TRANSMISSION MOUNTINGS						
1 - I 9	4000A	EXHAUST SYSTEM						
1 - K 9	4140A	CLUTCH RELEASE & MASTER CYLINDER						
1 - L 9	4160A	ACCELERATOR CONTROLS						
1 - M 9	4200A	FUEL TANK						
1 - N 9	4300A	CLUTCH & BRAKE						
1 - C 10	4340A	TANDEM MASTER CYLINDER & VACUUM POWER ASSIST SYSTEM						
1 - D 10	4360A	BRAKE PIPINGS (REAR DRUM BRAKE) (S, GS)						
1 - E 10	4360AA	BRAKE PIPINGS (REAR DISC BRAKE) (GSL)						
1 - F 10	4400A	PARKING BRAKE SYSTEM						
1 - G 10	4500A	FUEL PIPINGS						
1 - H 10	4600A	CHANGE CONTROLS (AUTOMATIC)						

**2500A-1 PROPELLER SHAFT ('81 & '82 MODELS)**



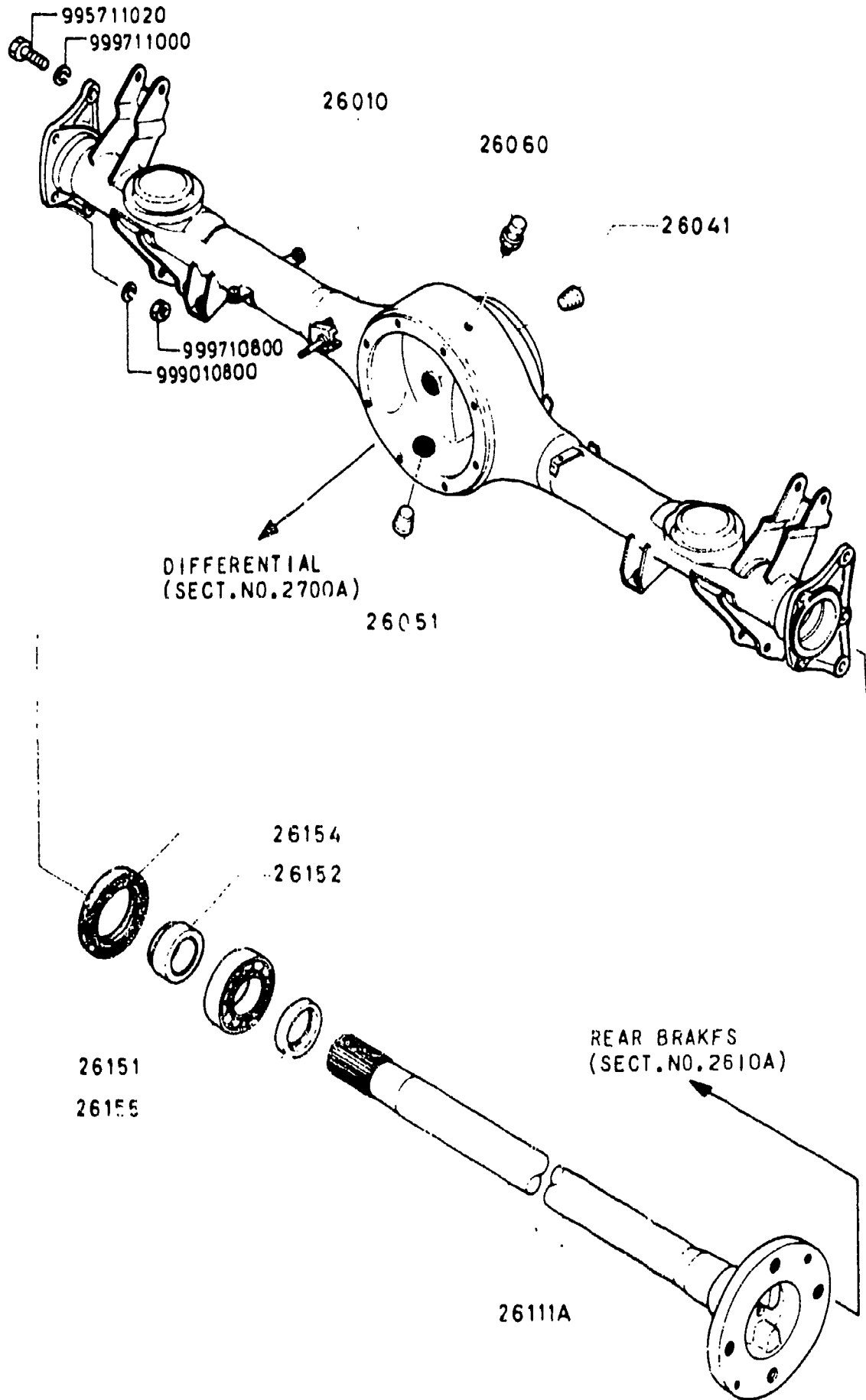
ITEM NO.	D-CODE	DESCRIPTION	PART NO.	QTY	MODEL/DESCRIPTION	REMARKS
25 021		YOKE, UNIVERSAL JOINT	0259-25-021B	1		
25 0605		JOINT SET, UNIVERSAL	88B1-25-060	2		
25 071		RING, SNAP	0259-25-071B	8	(T=1.22)	
			0259-25-072B	8	(T=1.24)	
			0259-25-073B	8	(T=1.26)	
			0259-25-074B	8	(T=1.28)	
			0259-25-075B	8	(T=1.30)	
			0259-25-076B	8	(T=1.32)	
			0259-25-077A	8	(T=1.34)	
		<A>	0259-25-077B	8		
			0259-25-078B	8	(T=1.36)	
			0259-25-079B	8	(T=1.38)	
25 100A		SHAFT, PROPELLER	8871-25-100	1		
25 123		BOLT	1393-25-123	4		
25 130		YOKE	0425-25-130B	1		

**2500AA-1 PROPELLER SHAFT  
( '83 MODEL)**



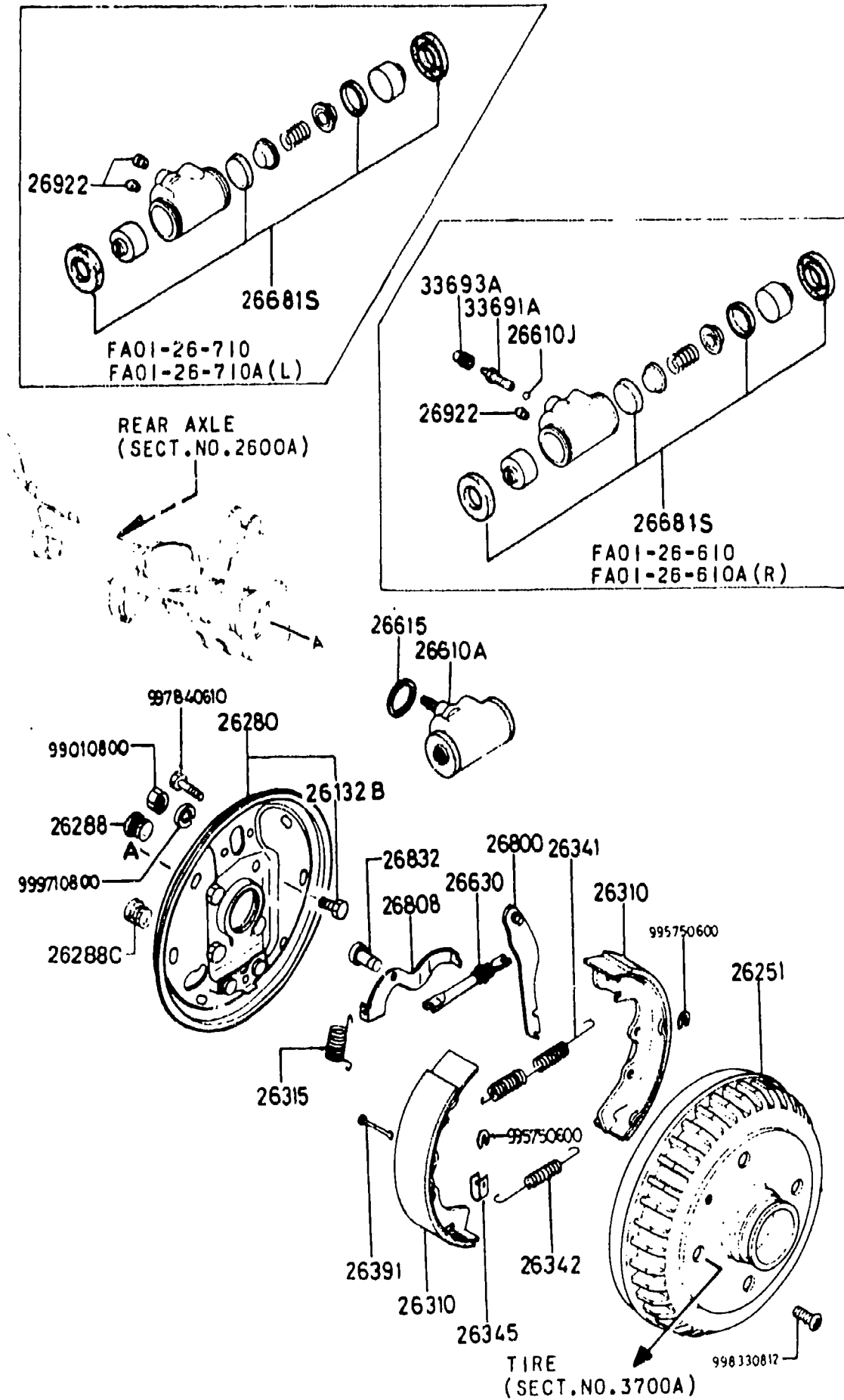
ITEM NO.	D-CODE	DESCRIPTION	PART NO.	QTY	MODEL/DESCRIPTION	REMARKS
	25 100A	SHAFT, PROPELLER	M026-25-100	1		
	25 123	BOLT	1456-25-123	4		
	25 125	NUT	1456-25-125	4		

**2600A-1 REAR AXLE**



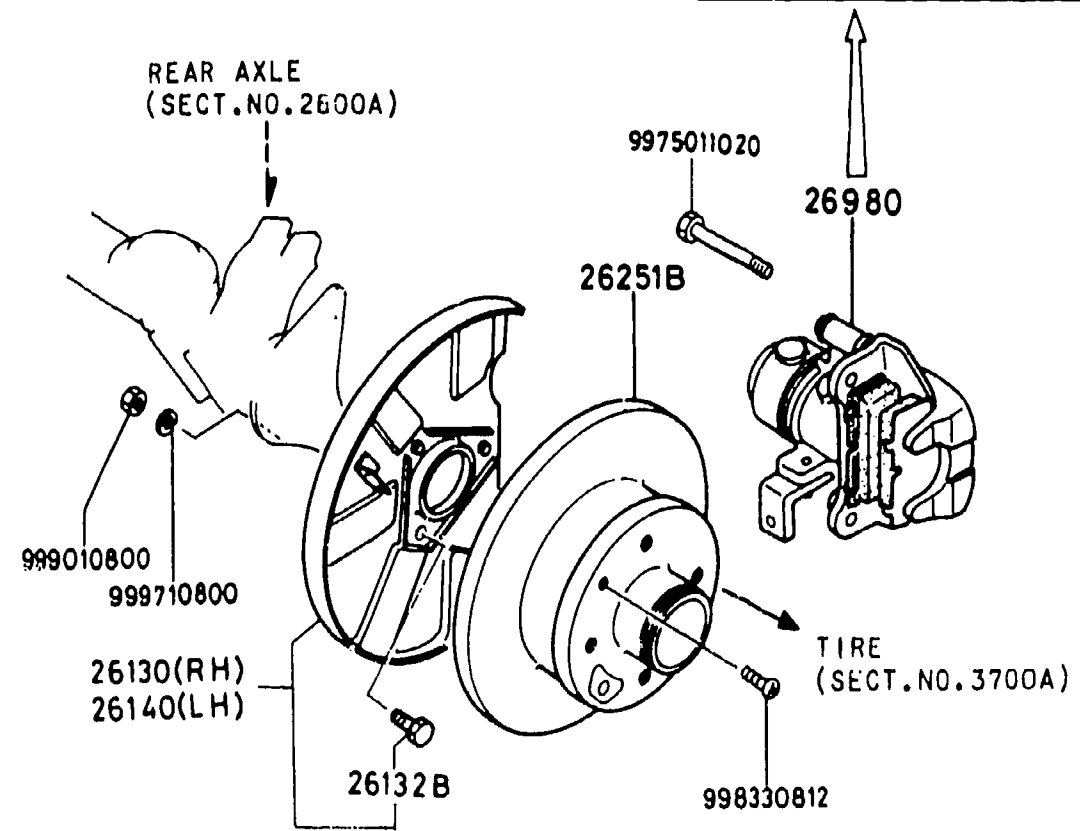
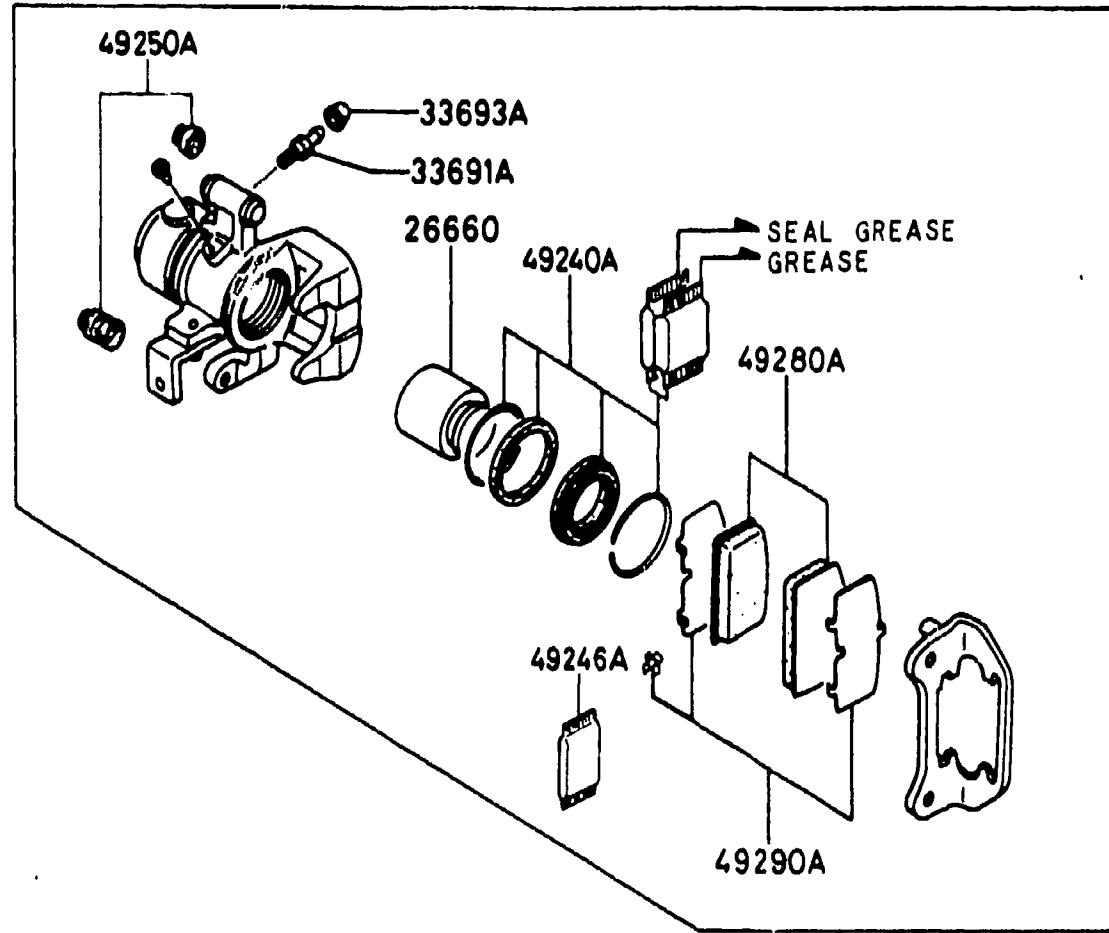
ITEM NO.	D-CODE	DESCRIPTION	PART NO.	QTY	MODEL/DESCRIPTION	REMARKS
	26 010	CASING, REAR AXLE	FA19-26-020B	1	4-WHL DISC GSL ONLY	
			8871-26-020D	1	S & GS MODELS	
	26 041	PLUG, OIL LEVEL	0259-26-041A	1		
	26 051	PLUG, MAGNET DRAIN	0259-26-051	1		
	26 060	BREATHER	0886-26-060	1		
	26 111A	SHAFT, REAR AXLE	FA01-26-111	2		
	26 151	BEARING	8871-26-151A	2		
	26 152	COLLAR, BEARING	8531-26-152	2		
	26 154	SEAL, OIL	0187-26-154	2		
	26 155	SPACER, BEARING	0259-26-155	2		

**2610A-1 REAR BRAKES (DRUM BRAKE)  
(S & GS)**



ITEM NO.	D-CODE	DESCRIPTION	PART NO.	QTY	MODEL/DESCRIPTION	REMARKS
26 132B		BOLT	3728-26-132	8		
26 251		DRUM, BRAKE	FA01-26-251	2		
26 280		PLATE (R), BRAKE BACK	FA01-26-280	1		
		PLATE (L), BRAKE BACK	FA01-26-290	1		
26 288		PLUG, BACK PLATE	0710-26-288	2		
26 288C		PLUG	3648-26-288	2		
26 310		SHOE, BRAKE	FA01-26-38Z	4		
26 315		SPRING, BRAKE BACK	GA02-26-3'5	2		
26 341		SPRING, RETURN-UPPER	FA01-26-341	2		
26 342		SPRING, RETURN-LOWER	1011-26-342	2		
26 345		SPRING, BRAKE SHOE	FA01-26-345	4		
26 391		PIN, BRAKE SHOE	FA01-26-391	4		
26 610A		CYLINDER (R), WHEEL	FA01-26-610A	1		
		CYLINDER (L), WHEEL	FA01-26-710A	1		
26 610J		BALL, STEEL	9961-11-500	1		
26 615		GASKET, WHEEL CYLINDER	1175-26-615	2		
26 630		ADJUSTER (R)	FA01-26-630	1		
		ADJUSTER (L)	FA01-26-640	1		
26 681S		BOOT SET	BB62-89-334	2		
26 800		LEVER (R), OPERATING	FA01-26-800	1		
		LEVER (L), OPERATING	FA01-26-810	1		
26 808		LEVER (R), PAWL	FA01-26-808	1		
		LEVER (L), PAWL	FA01-26-818	1		
26 832		PIN (R)	FA01-26-832	1		
		PIN (L)	GA02-26-832	1		
26 922		SHEET, TUBE	0613-26-922	3		
33 691A		SCREW, BLEEDER	0259-33-691	2		
33 693A		CAP, BLEEDER SCREW	0259-33-693	2		

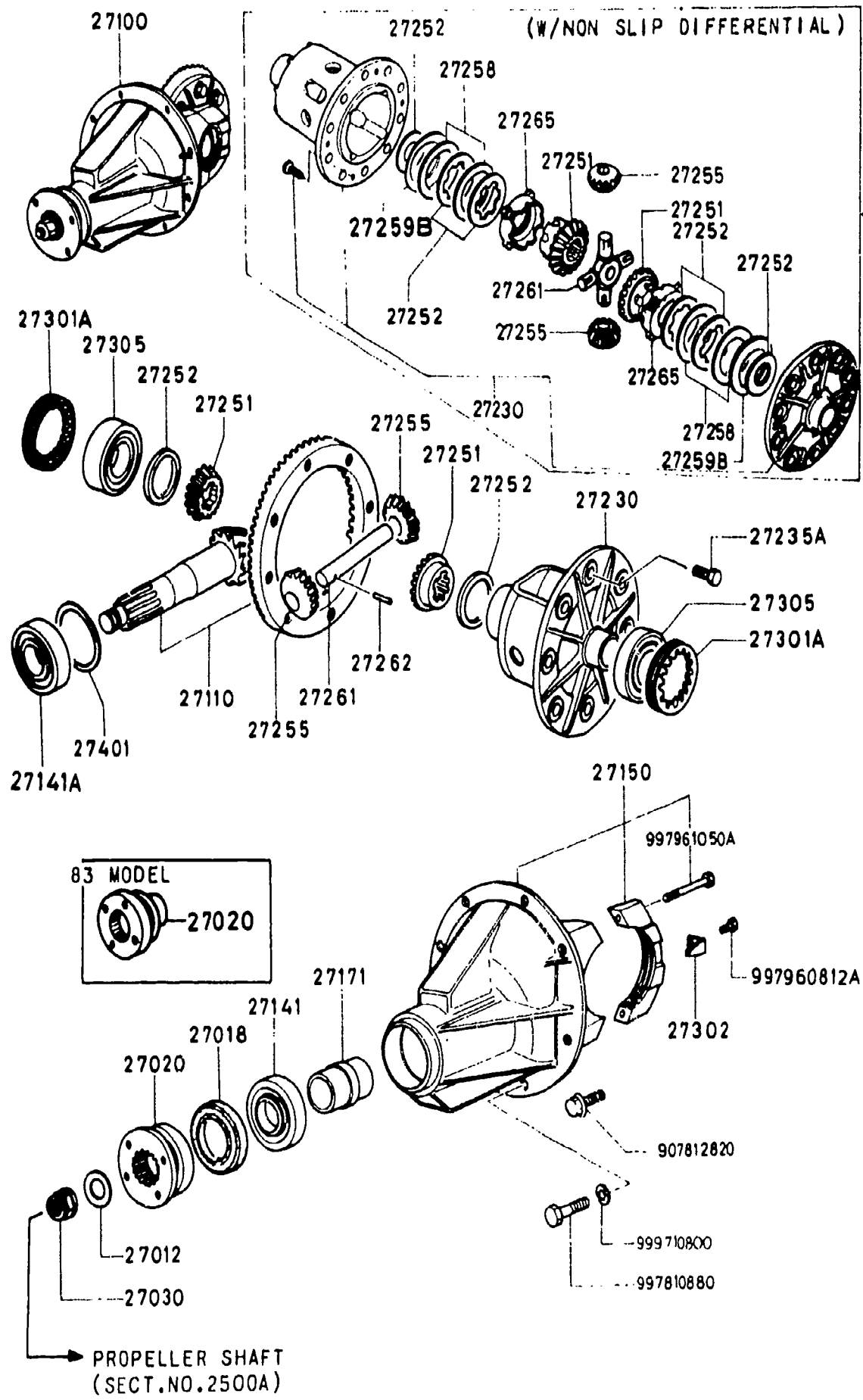
**2610AA-1 REAR BRAKES (DISC BRAKE)  
(GSL)**



ITEM NO.	D-CODE	DESCRIPTION	PART NO.	QTY	MODEL/DESCRIPTION	REMARKS
26 130		COVER, DUST (R)	FA18-26-130	1		
26 132B		BOLT	3728-26-132	6		
26 140		COVER, DUST (L)	FA18-26-140	1		
26 251B		PLATE, DISC	FA18-26-251	2		
26 6660		PISTON	FA18-26-660	2		
26 980		BRAKE (R), DISC	FA18-26-980A	1		
		BRAKE (L), DISC	FA18-26-990A	1		
33 691A		SCREW, BLEEDER	0233-33-691	2		
33 693A		CAP, BLEEDER SCREW	0259-33-693	2		
49 240A		SEAL, KIT	FA18-49-240	1		
49 246A		GREASE	FA18-49-270	1		
49 250A		BOOT KIT	FA18-49-250	1		
49 280A		PAD, SUB SET	FA18-49-280A	1		
49 290A		ATTACHMENT-PAD	FA18-49-290	1		

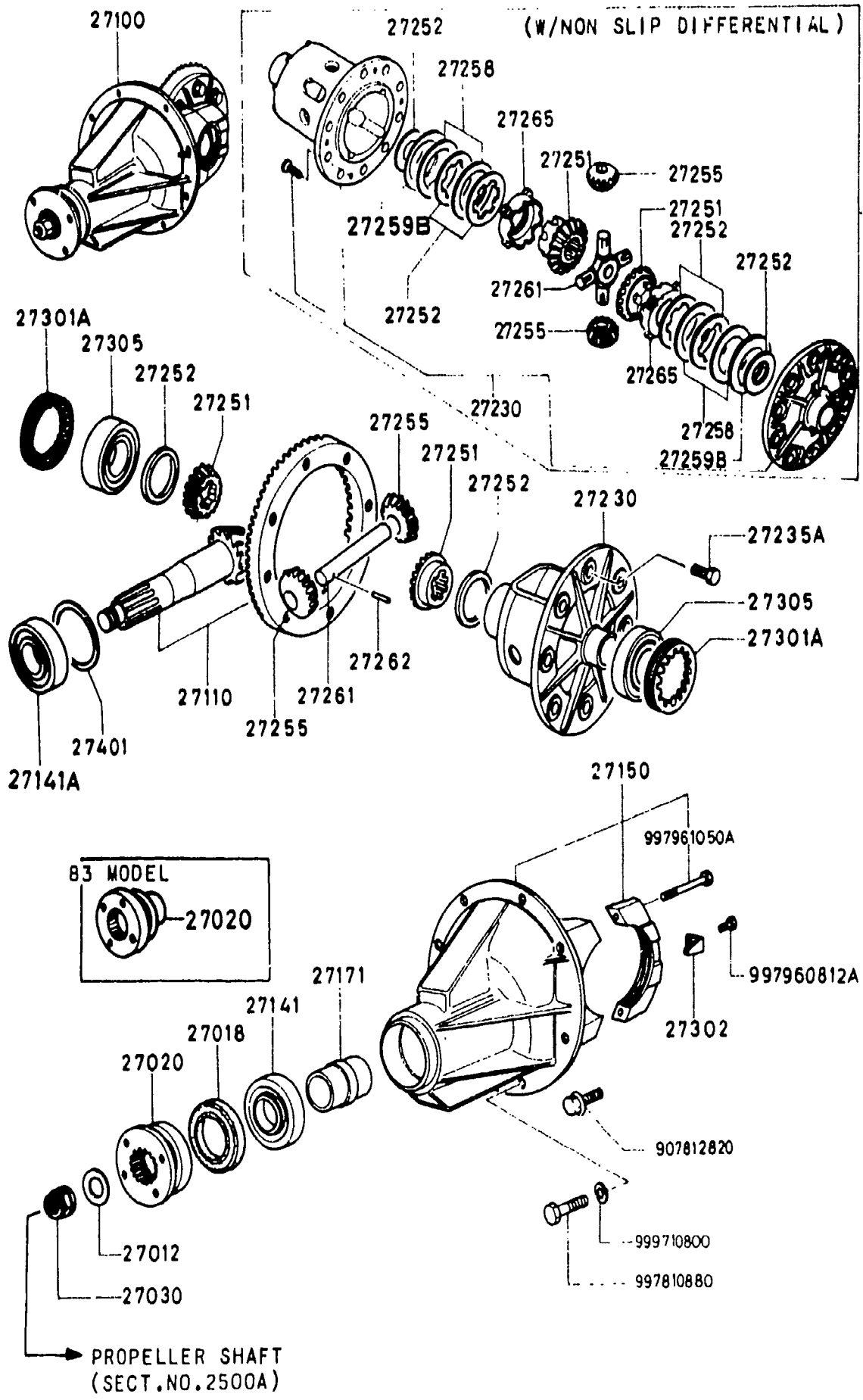


**2700A-1 DIFFERENTIAL**



ITEM NO.	D-CODE	DESCRIPTION	PART NO.	QTY	MODEL/DESCRIPTION	REMARKS
27 012		WASHER	0223-27-012	1		
27 018		SEAL, OIL	0223-27-018	1	'81 & '82 MODELS	
			M005-27-165	1	'83 MODEL	
27 020		FLANGE, COMPANION	0223-27-020C	1	'81 & '83 MODELS	
			M005-27-120D	1	'83 MODEL	
27 030		NUT, LOCK	0223-27-030	1		
27 100		DRIVE & DIFFERENTIAL	8051-27-100C	1	'81 & '82 S & GS MODELS	
			M019-27-100A	1	'83 MODEL S & GS MODELS	
			M030-27-100	1	'81 & '82 NON-SLIP DIFF. GSL MODELS	
			M092-27-100B	1	'83 NON-SLIP DIFF. GSL MODEL	
27 110		GEAR SET, FINAL	8051-27-110D	1	(RATIO=3.909)	
27 141		BEARING, PINION-FRONT	0755-27-210	1		
27 141A		BEARING, PINION-REAR	0221-27-210	1		
27 150		CARRIER, DIFFERENTIAL	0820-27-150C	1		
27 171		PIECE, DISTANCE	0305-27-171	1		
27 230		CASE	M020-27-230	1	GSL MODEL	
			0290-27-231B	1	S & GS MODELS	
			0290-27-231C	1		
27 235A		BOLT, REAMER	8051-27-235	10	(D=10.0)	
			8051-27-236	10	(D=10.2)	
27 251		GEAR, DIFFERENTIAL SIDE	M020-27-251	2	GSL MODEL	
			0820-27-251A	2	S & GS MODELS	
27 252		WASHER	0290-27-252	2	(T=2.00) S & GS MODELS	
			0290-27-253	2	(T=2.10) S & GS MODELS	
			0290-27-254	2	(T=2.20) S & GS MODELS	
			0290-27-256	2	(T=2.05) S & GS MODELS	
			0290-27-259	2	(T=2.15) S & GS MODELS	
			M020-27-252	2	(T=1.60) GSL MODEL	
			M020-27-253	2	(T=1.80) GSL MODEL	
			M020-27-256	4	(T=2.00) GSL MODEL	
			M020-27-257	4	(T=2.10) GSL MODEL	

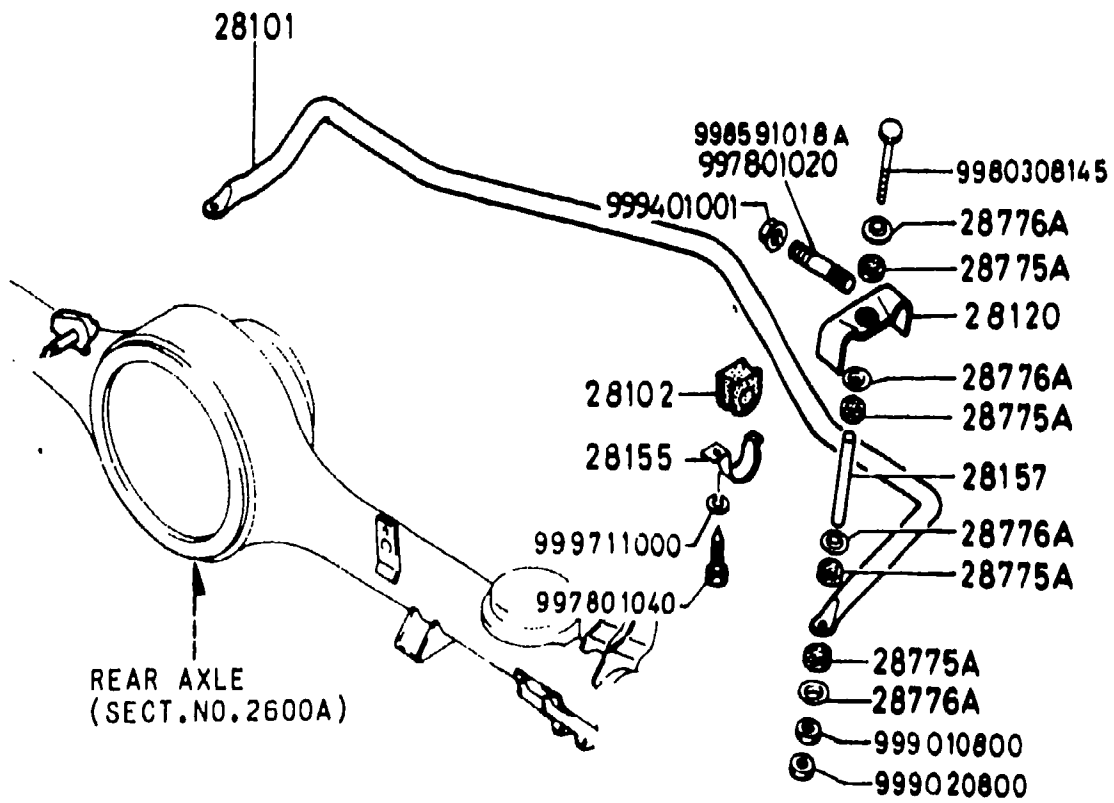
**2700A-2 DIFFERENTIAL**



ITEM NO.	D-CODE	DESCRIPTION	PART NO.	QTY	MODEL/DESCRIPTION	REMARKS
27 255		PINION, DIFFERENTIAL	0221-27-255C	2	S & GS MODELS	
			M020-27-255	4	GSL MODEL	
27 258		PLATE, FRICTION	M020-27-258	4	GSL MODEL	
27 259B		SPRING, CONICAL	M020-27-259	2	GSL MODEL	
27 261		SHAFT, DIFFERENTIAL PINION	0305-27-261	1	S & GS MODELS	
		SHAFT, DIFFERENTIAL	M020-27-261	1	GSL MODEL	
27 262		PIN	0114-27-262	1	S & GS MODELS	
27 265		RING, PRESSURE	M020-27-265	2	GSL MODEL	
27 301A		SCREW, ADJUST	0290-27-301	2		
27 302		PLATE, LOCK	0290-27-302	2		
27 305		BEARING	0221-27-350	2		
27 401		SPACER	0223-27-401A	1	(T=3.08)	
			0223-27-402A	1	(T=3.11)	
			0223-27-403A	1	(T=3.14)	
			0223-27-404A	1	(T=3.17)	
			0223-27-405A	1	(T=3.20)	
			0223-27-406A	1	(T=3.23)	
			0223-27-407A	1	(T=3.26)	
			0223-27-408A	1	(T=3.29)	
			0223-27-409A	1	(T=3.32)	
			0223-27-411A	1	(T=3.35)	
			0223-27-412A	1	(T=3.38)	
			0223-27-413A	1	(T=3.41)	
			0223-27-414A	1	(T=3.44)	
			0223-27-415A	1	(T=3.47)	



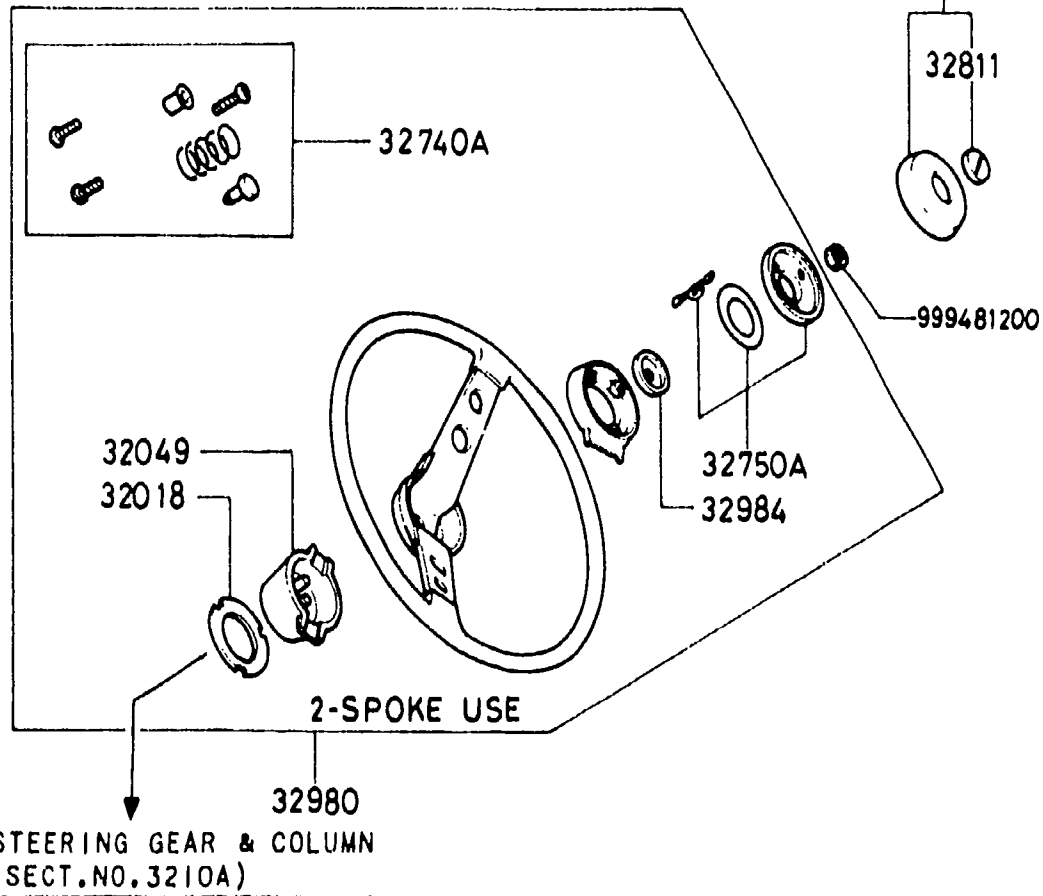
**2810A-1 STABILIZER**



ITEM NO.	D-CODE	DESCRIPTION	PART NO.	QTY	MODEL/DESCRIPTION	REMARKS
28 101		STABILIZER	8980-28-151	1	(16MM) (0.63 INCH) '81 MODEL THRU OCT. '80 PROD.	FB331 ..500001-510972
			8871-28-151A	1	(18MM) (0.71 INCH) '81 & '82 MODELS	
			FA01-28-151	1	(15MM) (0.59 INCH) '83 MODEL	FB331 ..501693-
28 102		BUSHING, RUBBER	FA01-28-156	2	(FOR 15MM STABILIZER)	FB331 ..501693-
			8871-28-156	2	(FOR 18MM STABILIZER) '81 & '82 MODELS	
				2	(FOR 17MM STABILIZER) '83 MODEL	
			8980-28-156	2	(FOR 16MM STABILIZER) '81 MODEL	FB331 ..500001-510972
28 120		BRACKET, CONTROL LINK	FA01-28-120A	2	'81 MODEL	FB331 ..507335-510972
			FA01-28-120B	2		FB331 ..510973-
			8871-28-120B	2	'81 MODEL	FB331 ..500001-507334
28 155		BRACKET, STABILIZER SUPPORT	FA01-28-155	2		FB331 ..501693-
			8871-28-155	2	'81 MODEL	FB331 ..500001-510972
28 157		SPACER, STABILIZER	8871-28-157	2		
28 775A		BUSHING, RUBBER-STABILIZER	0710-28-775	8		
28 776A		RETAINER, STABILIZER	0710-28-776	8		

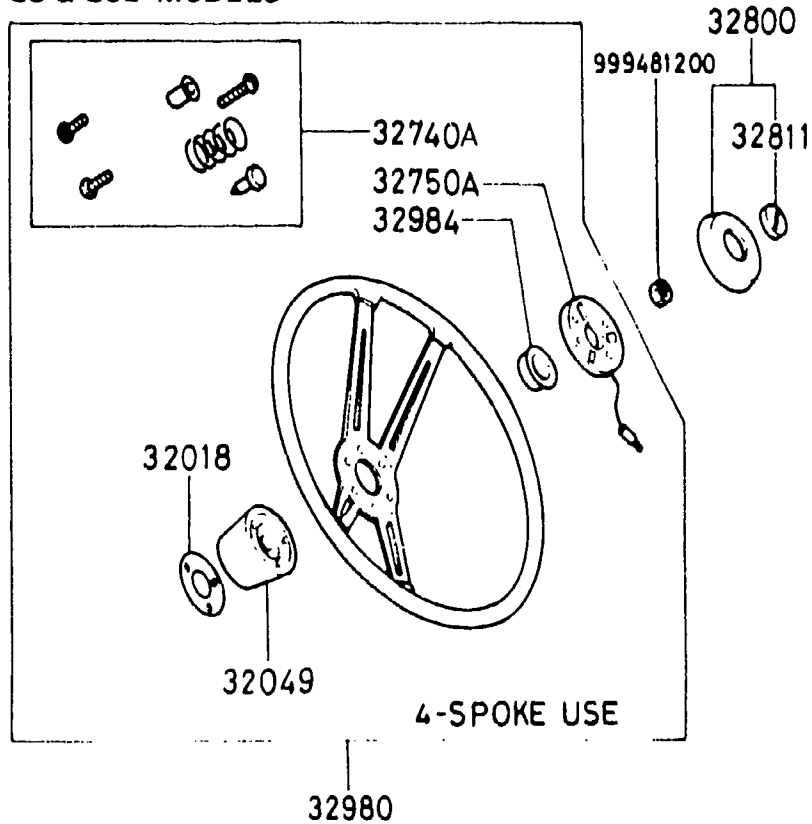
# 3200A-1 STEERING WHEEL

## S MODEL



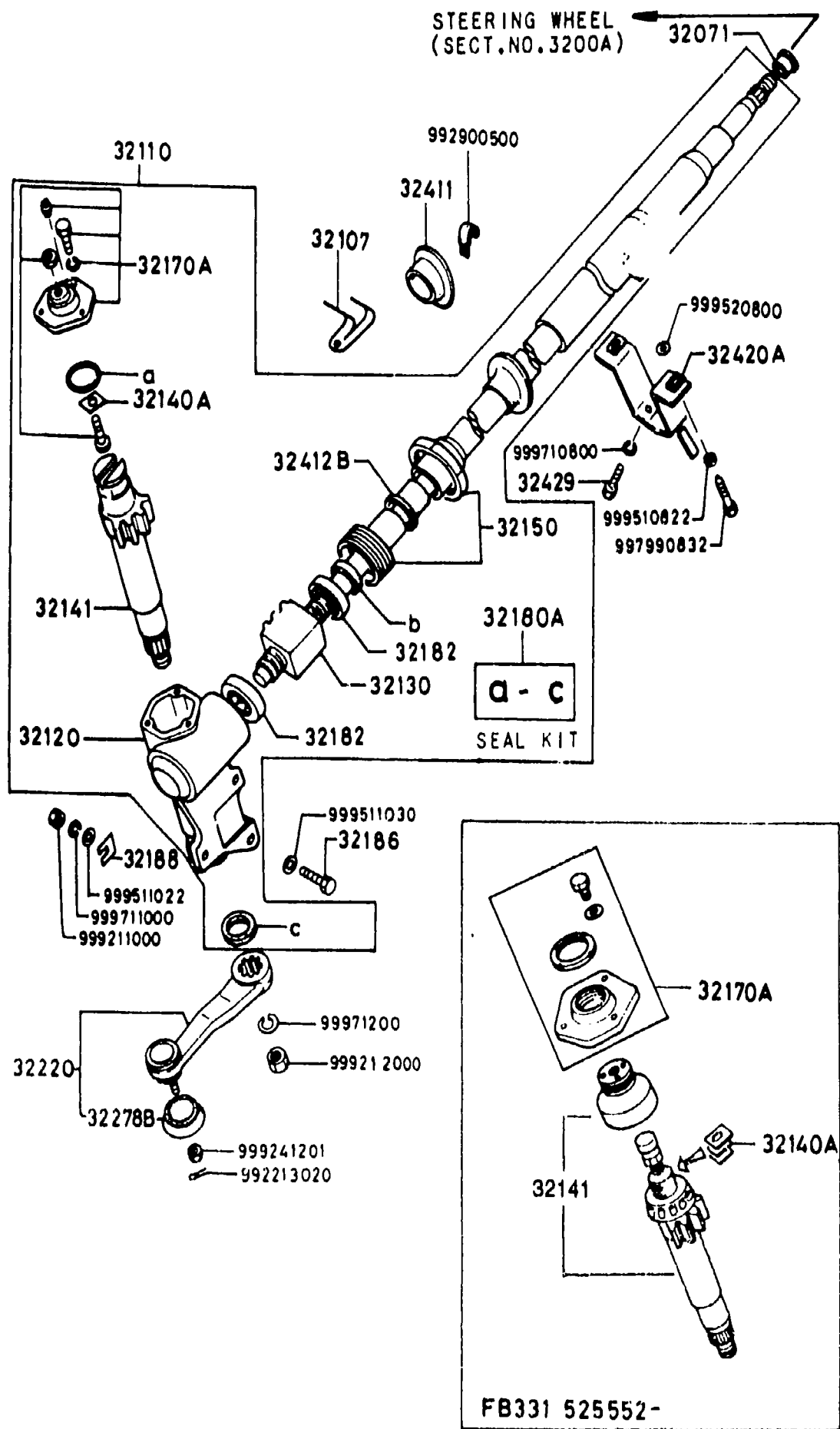
STEERING GEAR & COLUMN  
(SECT. NO. 3210A)

## GS & GSL MODELS



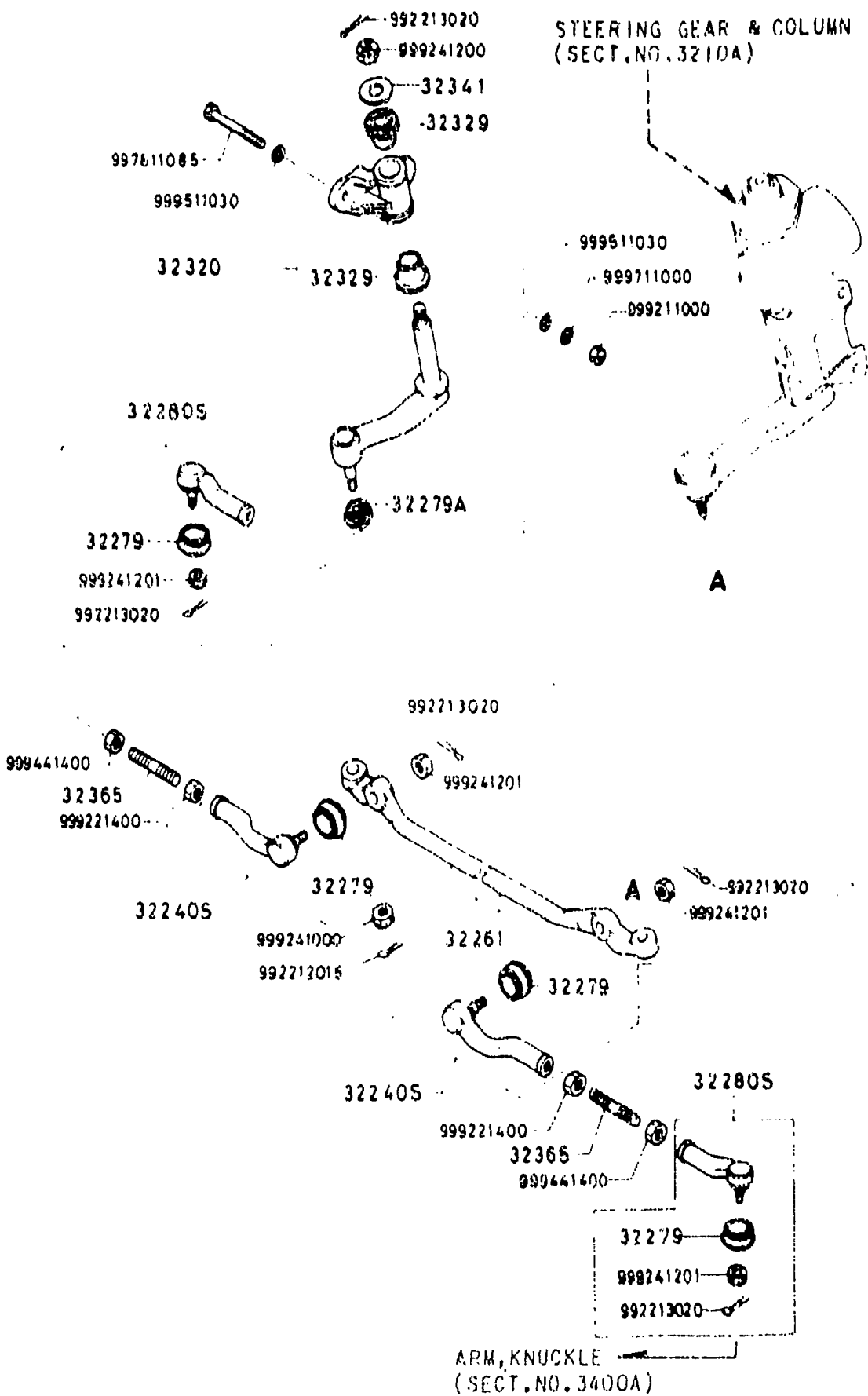
ITEM NO.	D-CODE	DESCRIPTION	PART NO.	QTY	MODEL/DESCRIPTION	REMARKS
	32 018	TERMINAL	8532-32-018	1	(2-SPOKE USE) S MODEL	
			UA47-32-018	1	(4-SPOKE USE) GS & GSL MODELS	
	32 049	COVER, WHEEL CORE	8532-32-049	1	(2-SPOKE USE) S MODEL	
		BLACK	00			
			8871-32-049C	1	(4-SPOKE USE) GS & GSL MODELS	
			00			
	32 740A	SET-SCREW	8532-32-740	1	(2-SPOKE USE) S MODEL	
			8871-32-740B	1	(4-SPOKE USE) GS & GSL MODELS	
	32 750A	SET-HORN	8532-32-750	1	(2-SPOKE USE) S MODEL	
			8871-32-750	1	(4-SPOKE USE) GS & GSL MODELS	
	32 800	CAP, HORN	8531-32-800	1	(2-SPOKE USE) S MODEL	
		BLACK	01			
			8871-32-800	1	(4-SPOKE USE) GS & GSL MODELS	
		BLACK	01			
	32 811	EMBLEM	8531-32-811	1		
	32 980	BOSS, STEERING WHEEL	8180-32-980B	1	(4-SPOKE, URETHNE) GS & GSL MODELS STANDARD	
		BLACK	00			
			8344 32-980B	1	(4-SPOKE, LEATHER) GS & GSL MODELS OPTIONAL	
		BLACK	00			
			8349-32-980	1	(2-SPOKE, URETHANE) S MODEL	
		BLACK	00			
	32 984	SET, CUP	8532-32-964	1	(2-SPOKE USE) S MODEL	
			8871-32-984	1	(4-SPOKE USE) GS & GSL MODELS	

# 3210A-1 STEERING GEAR & COLUMN



ITEM NO.	D-CODE	DESCRIPTION	PART NO.	QTY	MODEL/DESCRIPTION	REMARKS
	32 071	BUSHING	8182-32-071	1	'81 & '82 MODELS	FB331 ..500001-610823
			8182-32-071A	1	'82 MODEL	FB331 ..610824-652105
			1244-32-071A	1	'82 & '83 MODEL	FB331 ..652106-
	32 107	CLIP	8871-32-862	1		
	32 110	GEAR, STEERING	FA01-32-110	1	'81 MODEL	FB331 ..500001-525551
			FA24-32-110B	1	'81 & '82 MODELS	FB331 ..525552-
	32 120	HOUSING, GEAR	FA01-32-120	1	'81 MODEL	FB331 ..500001-525551
			FA24-32-120	1		FB331 ..525552-
	32 130	BALL NUT, WORM	FA01-32-130	1	'81 MODEL	FB331 ..500001-525551
			FA24-32-130	1		FB331 ..525552-
	32 140A	SHIM KIT, ADJUST	8180-32-140	1		
	32 141	SHAFT, SECTOR	FA01-32-141	1	'81 MODEL	FB331 ..500001-525551
			FA24-32-141A	1		FB331 ..525552-
	32 150	COVER KIT, END	FA01-32-150	1	'81 MODEL	FB331 ..500001-525551
			FA24-32-150	1		FB331 ..525552-
	32 170A	COVER KIT, SIDE	FA01-32-170	1	'81 MODEL	FB331 ..500001-525551
			FA24-32-170	1		FB331 ..525552-
	32 180A	SEAL KIT	8871-32-180	1		
	32 182	BEARING	8871-32-182	2		
	32 186	BOLT, GEAR HOUSING	8173-32-359	3		
	32 188	SHIM, ADJUST	0208-32-188	2		
	32 220	ARM, PITMAN	1757-32-220	1		
	32 278B	SEAL, DUST-PITMAN	8545-32-278	1		
	32 411	COVER, DUST	8871-32-411	1		
	32 412B	BUSHING	8871-32-412	1		
	32 420A	BRACKET, FIXING	FA01-32-420	1	'81 MODEL	FB331 ..500001-525551
			FA24-32-420	1		FB331 ..525552-
	32 429	BOLT	8871-32-429A	4		

3230A-1 STEERING LINKAGE



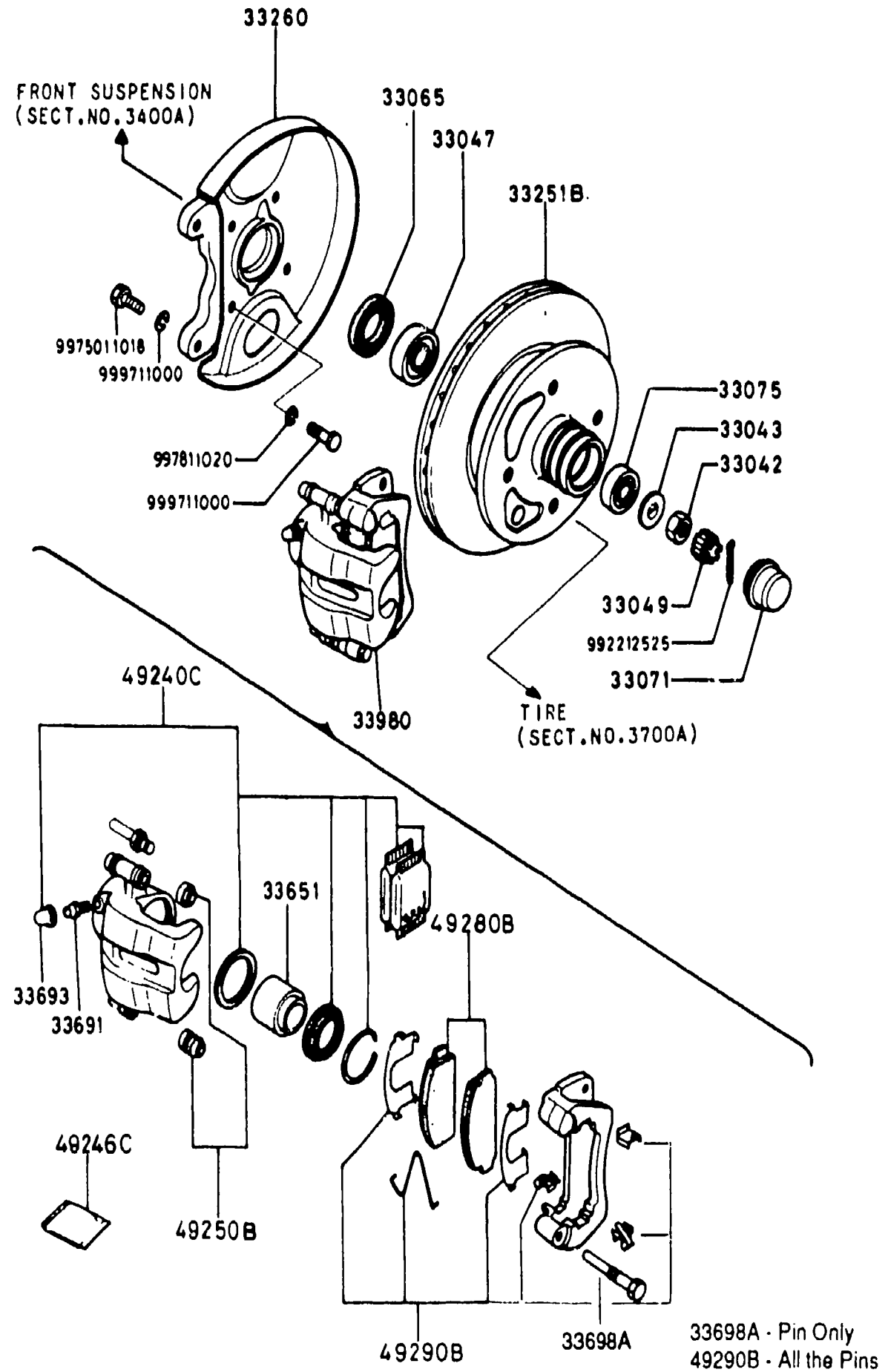
ITEM NO.	D-CODE	DESCRIPTION	PART NO	QTY	MODEL/DESCRIPTION	REMARKS
	32 240S	JOINT SET, BALL	8531-99-322A	2		
	32 261	LINKAGE, CENTER	8871-32-261	1		
	32 279	SEAL, DUST	8021-32-279	4		
	32 279A	SEAL, DUST	8531-32-279	1		
	32 280S	JOINT SET, BALL	3021-99-324	2		
	32 320	ARM, IDLER	6871-32-320A	1		
		REFER TO RECALL CAMPAIGN NO 17510 FOR INFO REGARDING AFFECTED STATES				
	32 329	BUSHING	1524-32-329B	2		
	32 341	WASHER	0866-32-341	1		
	32 365	ROD TIE	2113-32 365	2		

# SECTION INDEX -- CHASSIS

STARTING LOCATION	SECT. NO.	SECTION NAME	STARTING LOCATION	SECT. NO.	SECTION NAME	STARTING LOCATION	SECT. NO.	SECTION NAME
1. C 8	2500A	PROPELLER SHAFT ('81 & '82 MODELS)						
1. D 8	2500AA	PROPELLER SHAFT ('83 MODEL)						
1. E 8	2600A	REAR AXLE						
1. F 8	2610A	REAR BRAKES (DRUM BRAKE) (S & GS)						
1. G 8	2610AA	REAR BRAKES (DISC BRAKE) (GSL)						
1. H 8	2700A	DIFFERENTIAL						
1. J 8	2800A	REAR SUSPENSION						
1. K 8	2810A	STABILIZER						
1. L 8	3200A	STEERING WHEEL						
1. M 8	3210A	STEERING GEAR & COLUMN						
1. N 8	3230A	STEERING LINKAGE						
1. C 9	3300A	FRONT AXLE & BRAKES						
1. D 9	3400A	FRONT SUSPENSION						
1. E 9	3410A	CROSS MEMBER & STABILIZER						
1. F 9	3700A	TIRE & JACK						
1. H 9	3900A	ENGINE & TRANSMISSION MOUNTINGS						
1. I 9	4000A	EXHAUST SYSTEM						
1. K 9	4140A	CLUTCH RELEASE & MASTER CYLINDER						
1. L 9	4160A	ACCELERATOR CONTROLS						
1. M 9	4200A	FUEL TANK						
1. N 9	4300A	CLUTCH & BRAKE						
1. C 10	4340A	TANDEM MASTER CYLINDER & VACUUM POWER ASSIST SYSTEM						
1. D 10	4360A	BRAKE PIPINGS (REAR DRUM BRAKE) (S, GS)						
1. E 10	4360AA	BRAKE PIPINGS (REAR DISC BRAKE) (GSL)						
1. F 10	4400A	PARKING BRAKE SYSTEM						
1. G 10	4500A	FUEL PIPINGS						
1. H 10	4600A	CHANGE CONTROLS (AUTOMATIC)						

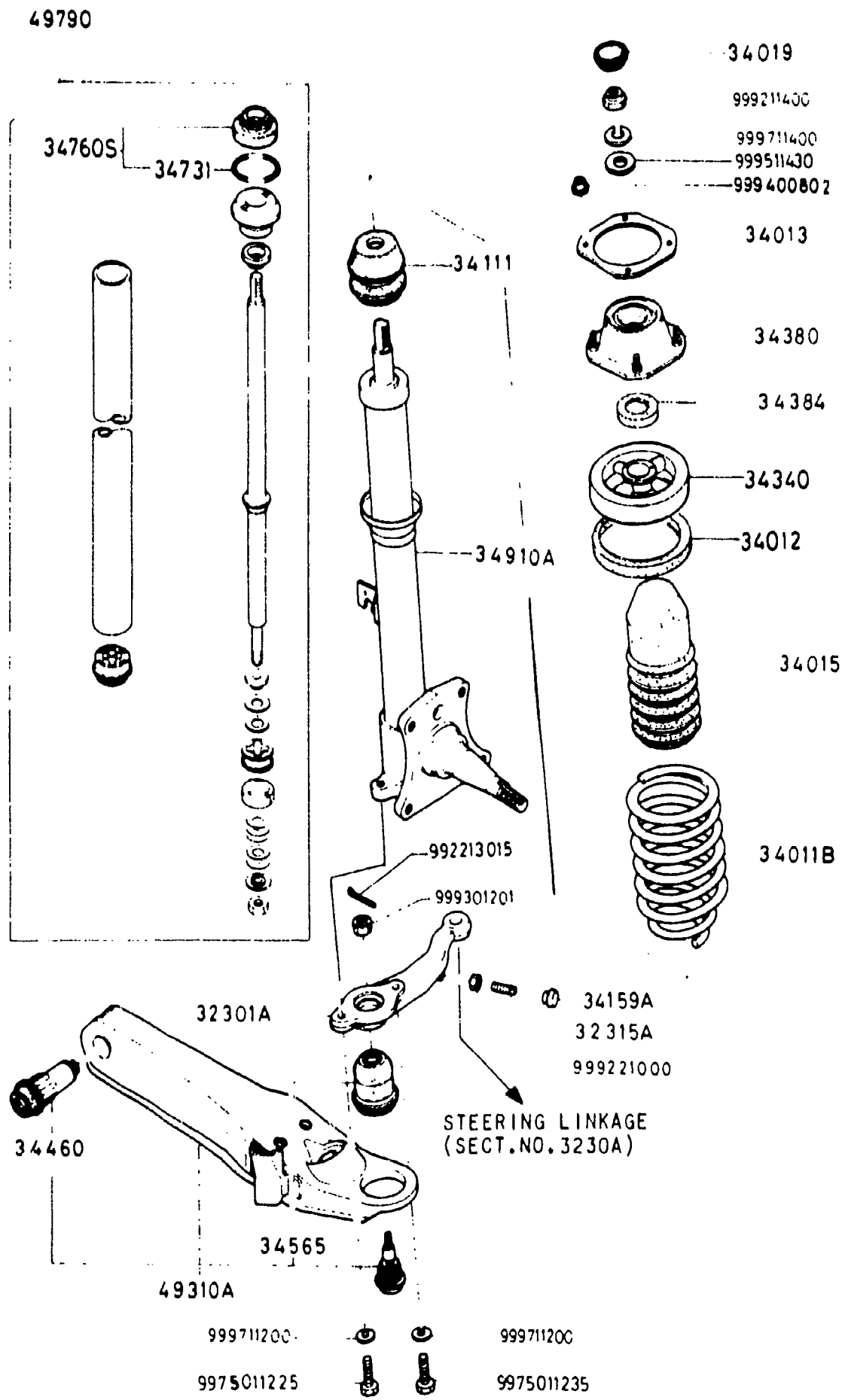


# 3300A-1 FRONT AXLE & BRAKES



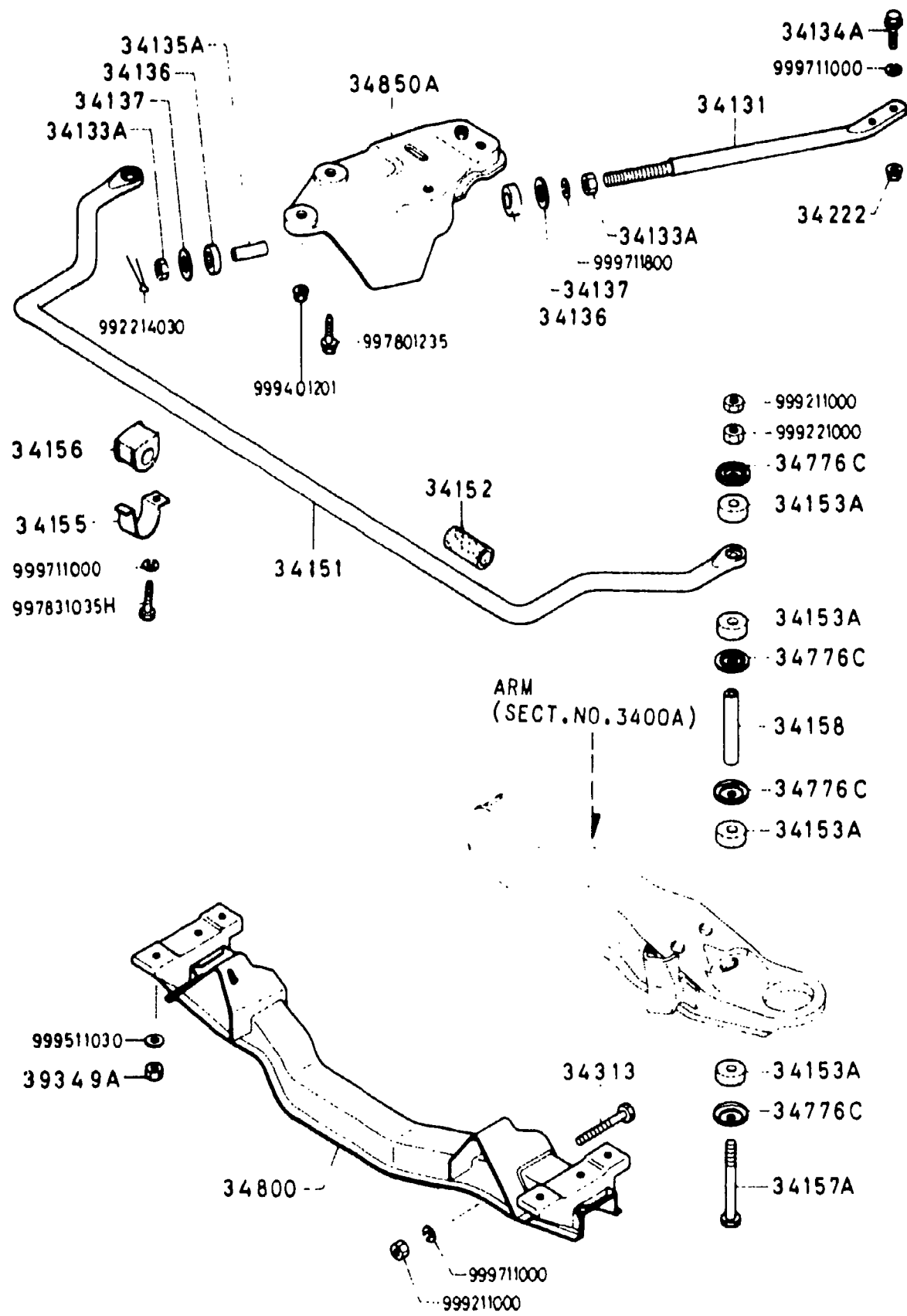
ITEM NO.	D-CODE	DESCRIPTION	PART NO.	QTY	MODEL/DESCRIPTION	REMARKS
	33 042	NUT	0259-33-042	2		
	33 043	WASHER, TAB	8531-33-043	2		
	33 047	BEARING, FRONT WHEEL	8545-33-047	2		
	33 049	COVER, SET	0259-33-049	2		
	33 065	SEAL, OIL	1312-33-065	2		
	33 071	CAP, HUB	0419-33-071	2		
	33 075	BEARING, FRONT WHEEL	8002-33-075	2		
	33 251B	PLATE, HUB/DISK	8871-33-251A	2		
	33 260	ADAPTER (R), MOUNTING	8871-33-260A	1		
		ADAPTER (L), MOUNTING	8871-33-270A	1		
	33 651	PISTON	8341-33-651	2		
		<A>	8341-33-651A	2		
	33 691	SCREW, BLEEDER	0233-33-691	2		
	33 693	CAP, RUBBER	0259-33-693	2		
	33 698A	PIN	8341-33-699	2		
	33 980	BRAKE (R), CALIPER	FA57-33-980	1		
		BRAKE (L), CALIPER	FA57-33-990	1		
	49 240C	SEAL KIT	8341-49-240	1		
	49 246C	GREASE	8341-49-270	1		
	49 250B	BOOT KIT	8341-49-250	1		
	49 280B	PAD, SUB SET	8871-49-280A	1		
	49 290B	ATTACHMENT-PAD	8341-49-290A	1		

# 3400A-1 FRONT SUSPENSION



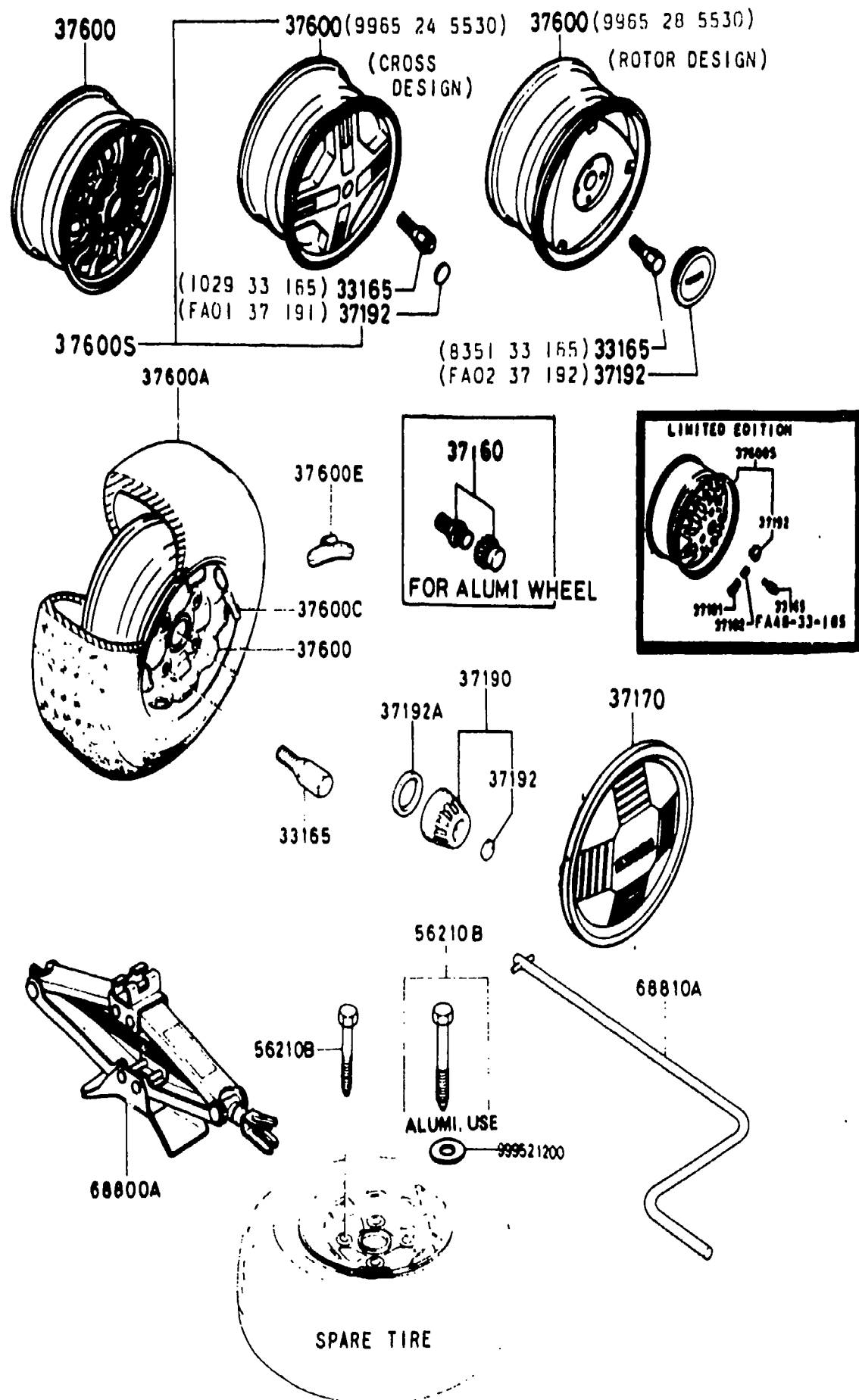
ITEM NO.	D-CODE	DESCRIPTION	PART NO.	QTY	MODEL/DESCRIPTION	REMARKS
	32 301A	ARM (R), KNUCKLE	8871-32-301C	1		
		ARM (L), KNUCKLE	8871-32-311C	1		
	32 315A	BOLT, STOPPER	0603-32-315	2		
	34 011B	SPRING (R), COIL	F001-34-011A	1		
		SPRING (L), COIL	FA01-34-011A	1		
	34 012	SHEET, RUBBER	FA01-34-012	2		
	34 013	PLATE, ADJUST	1011-34-013	2		
	34 015	COVER, DUST	FA01-34-015	2		
	34 019	CAP, DAMPER	1011-34-019	2		
	34 111	BUMPER, BOUND	8871-34-111A	2		
	34 159A	STOPPER, STEERING	1243-34-159	2		
	34 340	SHEET, SPRING-UPPER	FA01-34-340A	2		
	34 380	BLOCK, MOUNTING	FA01-34-390A	2		
	34 384	SPACER	FA01-34-384	2		
	34 460	BUSHING, ARM	8173-34-460B	2		
	34 565	SEAL, DUST	8531-34-565	2		
	34 731	O-RING	8171-34-731	2		
	34 760S	SEAL, DAMPER	8171-34-970	2		
	34 910A	DAMPER	FA01-34-910B	2		
	49 310A	ARM & BALL JOINT (R)	8871-49-310	1		
		ARM & BALL JOINT (L)	8871-49-320	1		
	49 790	DAMPER, SUB SET-FRONT	FA01-49-790	2		

# 3410A-1 CROSS MEMBER & STABILIZER



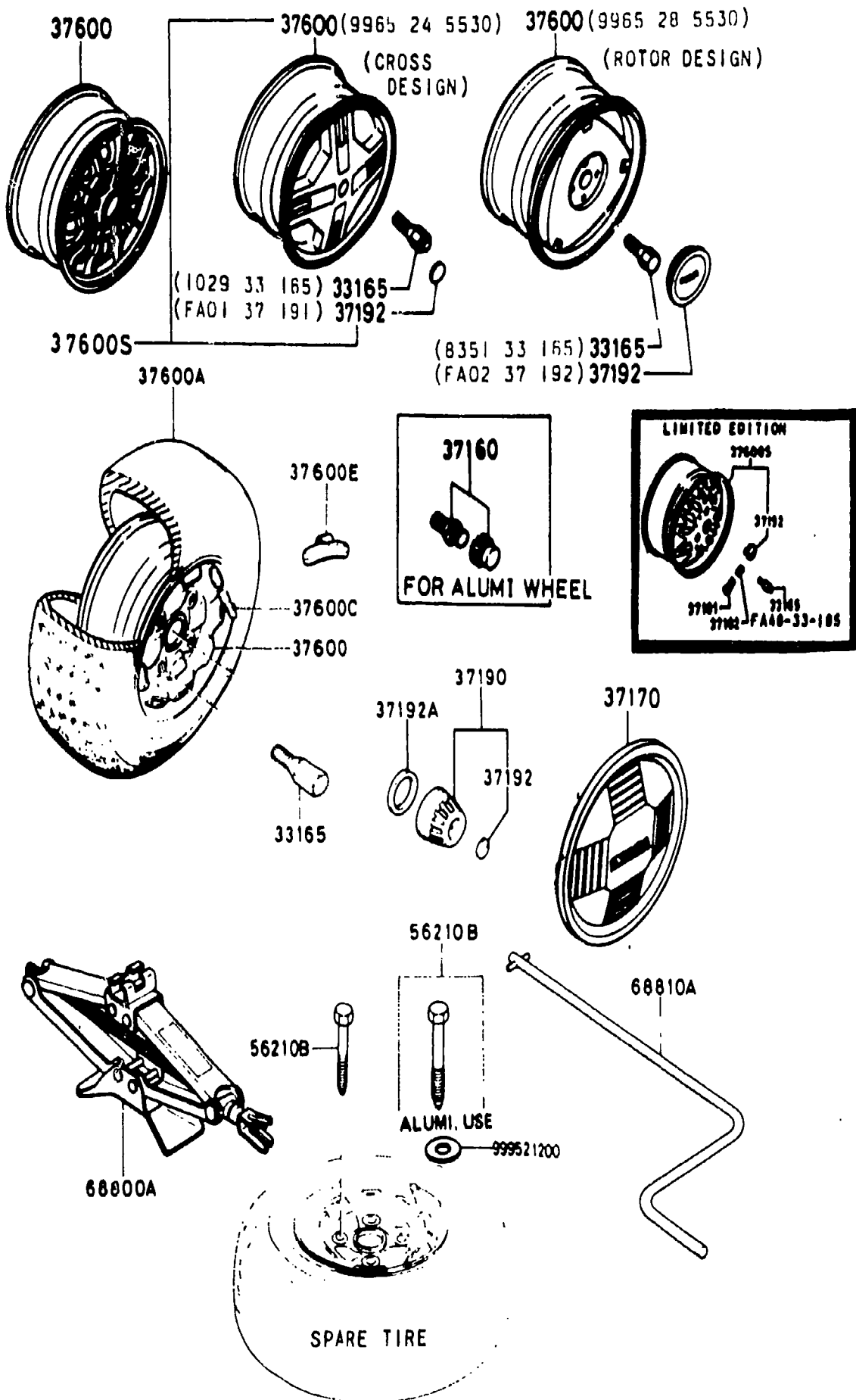
ITEM NO.	D-CODE	DESCRIPTION	PART NO.	QTY	MODEL/DESCRIPTION	REMARKS
34 131		ROD, TENSION	8871-34-131A	2		
34 133A		NUT, TENSION ROD	8871-34-133A	4		
34 134A		BOLT, TENSION ROD	8871-34-134A	4		
34 135A		SPACER	8871-34-135A	2		
34 136		CUSHION	8871-34-136B	4		
34 137		RETAINER	8871-34-137A	4		
34 151		STABILIZER	8871-34-151	1		
34 152		PROTECTOR	8871-34-152	2	'81 & '82 MODELS	
34 153A		BUSHING, STABILIZER	1243-34-153	8		
34 155		PLATE, STABILIZER	FA01-34-155	2		
34 156		BUSHING	8871-34-156A	2		
34 157A		BOLT, STABILIZER	0603-34-157A	2		
34 158		SPACER, STABILIZER	0603-34-158	2		
34 222		NUT	8871-34-222	4		
34 313		BOLT, ARM	8001-28-114	2		
34 776C		RETAINER	0223-28-776	8		
34 800		MEMBER, CROSS	8871-34-800C	1		
34 850A		BRACKET (R), TENSION ROD	8871-34-850D	1		
		BRACKET (L), TENSION ROD	8871-34-860D	1		
39 349A		NUT, CROSS MEMBER	1391-39-349	4		

**3700A-1 TIRE & JACK**



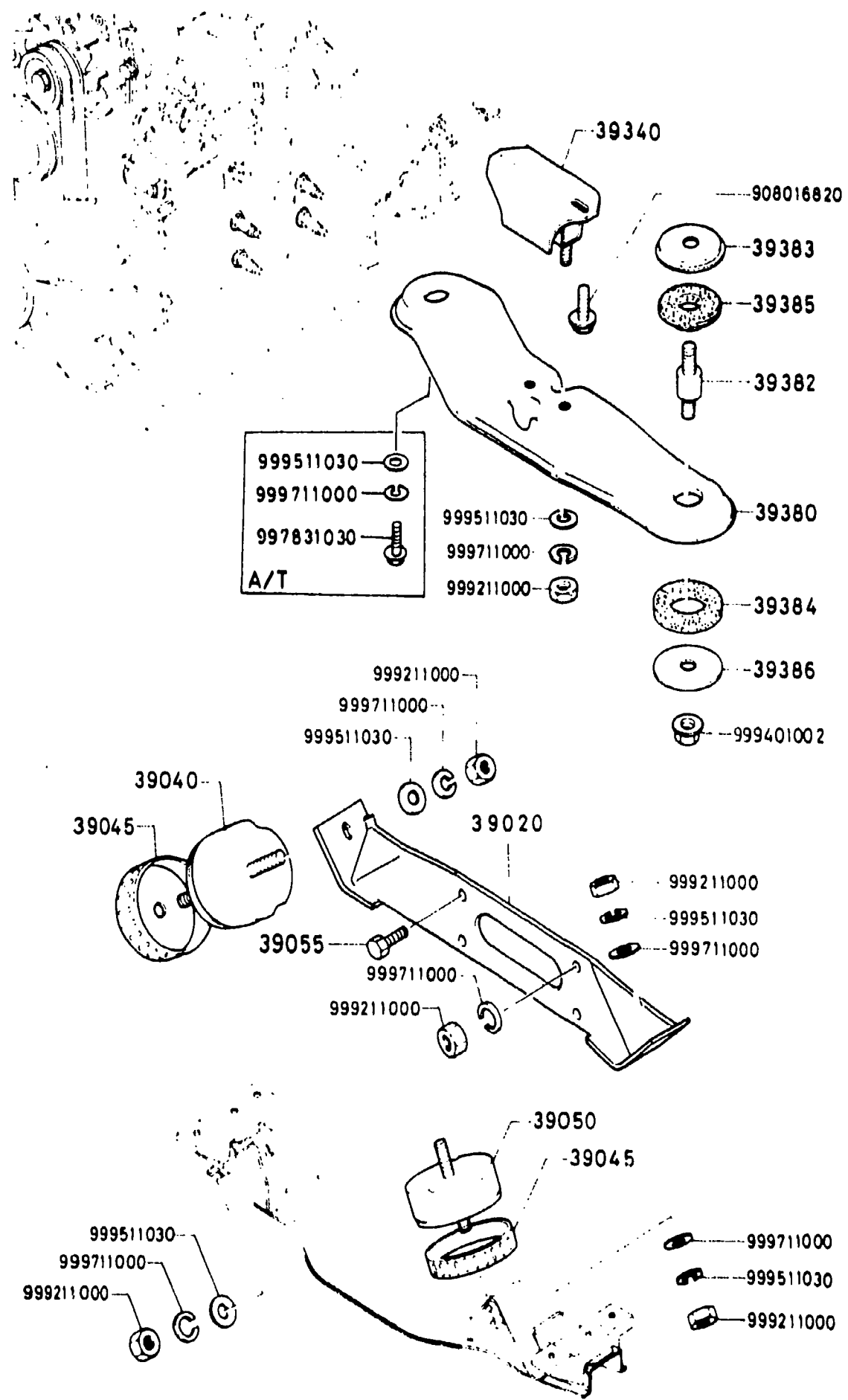
ITEM NO.	D-CODE	DESCRIPTION	PART NO.	QTY	MODEL/DESCRIPTION	REMARKS
	33 165	BOLT, WHEEL SET	1029-33-165	16	(PLATED)	
			8531-33-165	16	(PAINTED)	
			FA46-33-165P-01	16	'83 MODEL LIMITED EDITION GS	
37 160		BOLT & KEY KIT, HUB	F001-86-260	1	(FOR ALUM. WHEEL) GS, GSL MODELS	
37 170		CAP, WHEEL	G002-37-190	4	(FULL CAP) S MODEL	
37 190		CAP, CENTER	8871-37-190	4	(FOR STD. WHEEL)	
37 192		EMBLEM	FA01-37-191	4	(FOR ALUM. W/ CROSS DESIGN) '81 GSL '82 & '83 GS, GSL	
			8871-37-192	4	(FOR CENTER CAP)	
			GB23-37-190	4	'83 MODEL LIMITED EDITION GS	
37 192A		RUBBER, SET	8531-37-193C	4	(FOR CENTER CAP)	
37 600		WHEEL, DISC	9965-04-4050	1	(4-TX15)MINI SPARE WHEEL)	
		REFER TO PARTS BULL. NO. T-2-1 FOR MORE INFO.				
			FA01-89-376	4	(ALUM. WHEEL)CROSS DESIGN) '81 GSL '82 & '83 GS, GSL	
			9965-38-503	4	(5JX13WDC DESIGN)	
		SUNBEAM SILVER METALLIC	K3			
			FA46-89-376	4	(ALUM WHEEL) '83 MODEL LIMITED EDITION GS	
37 600A		TIRE	0000-78-559	1	(FOR MINI SPARE WHEEL)	
		REFER TO ACC. BULL. NO. XE-1 FOR MORE INFO.				
			0000-78-648	4	(185/70HR-13, BLACK WALL)	
			0000-78-6485	4	(185/70HR-13, WHITE WALL)	
37 600C		VALVE, AIR	9963-60-4130	5	(TR413)	
37 600E		WEIGHT, BALANCING	9965-53-0010	5	(10G)	
			9965-53-0015	5	(15G)	
			9965-53-0020	5	(20G)	
			9965-53-0025	5	(25G)	
			9965-53-0030	5	(30G)	
			9965-53-0035	5	(35G)	
			9965-53-0040	5	(40G)	
			9965-53-0045	5	(45G)	

**3700A-2 TIRE & JACK**



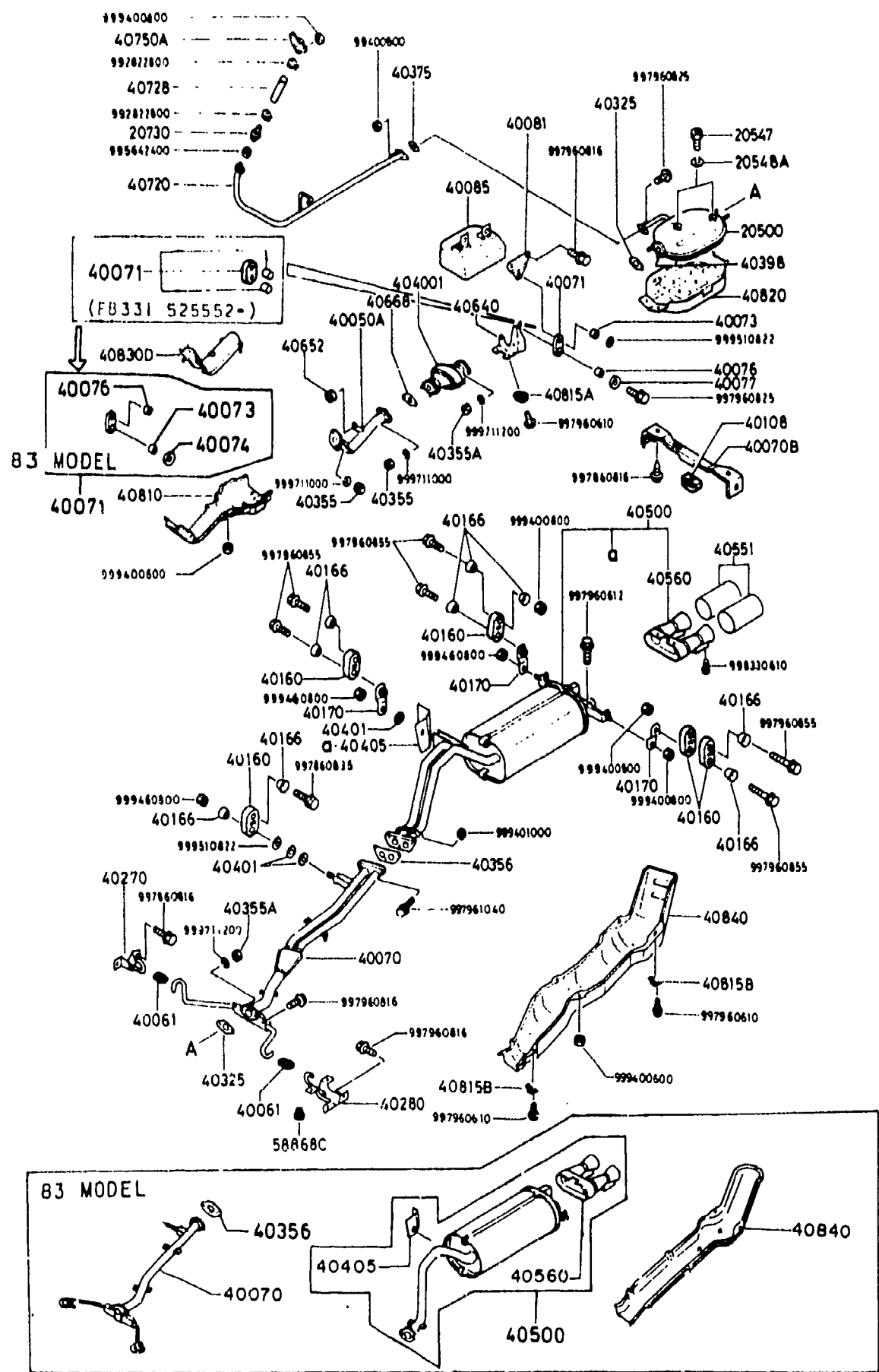
ITEM NO.	D-CODE	DESCRIPTION	PART NO.	QTY	MODEL/DESCRIPTION	REMARKS
	37 600E (CONT'D)		9965-53-0056	5	(50G)	
			9965-53-0060	5	(60G)	
			9965-59-0010	5	(10G FOR ALUM. WHEEL) '81 GSL '82 & '83 GS, GSL	
			9965-59-0015	5	(15G FOR ALUM. WHEEL) '81 GSL '82 & '83 GS, GSL	
			9965-59-0020	5	(20G FOR ALUM. WHEEL) '81 GSL '82 & '83 GS, GSL	
			9965-59-0025	5	(25G FPR ALUM. WHEEL) '81 GSL '82 & '83 GS, GSL	
			9965-59-0030	5	(30G FOR ALUM. WHEEL) '81 GSL '82 & '83 GS, GSL	
			9965-59-0035	5	(35G FOR ALUM. WHEEL) '81 GSL '82 & '83 GS, GSL	
			9965-59-0040	5	(40G FOR ALUM. WHEEL) '81 GSL '82 & '83 GS, GSL	
			9965-59-0045	5	(45G FOR ALUM. WHEEL) '81 GSL '82 & '83 GS, GSL	
			9965-59-0050	5	(50G FOR ALUM. WHEEL) '81 GSL '82 & '83 GS, GSL	
			9965-59-0060	5	(60G FOR ALUM. WHEEL) '81 GSL '82 & '83 GS, GSL	
	37 600S	WHEEL SET, DISC-ALUM.	FA01-89-376	1	(FOR ALUM. WHEEL) '81 GSL '82 & '83 GS, GSL	
	56 210B	CLAMP, SPARE TIRE.	8531-56-961	1		
	68 800A	JACK	8871-37-790D	1		
	68 810A	HANDLE, JACK	0305-68-810A	1		

# 3900A-1 ENGINE & TRANSMISSION MOUNTINGS



ITEM NO.	D-CODE	DESCRIPTION	PART NO.	QTY	MODEL/DESCRIPTION	REMARKS
39 020		BRACKET, ENGINE MOUNTING	8871-39-021B	1		
39 040		RUBBER (R), ENGINE MOUNTING	1668-39-040D	1		
39 045		CASING, STOPPER	1668-39-045B	2		
39 050		RUBBER (L), ENGINE MOUNTING	8545-39-040	1		
39 055		BOLT	8788-39-055	4		
39 340		RUBBER, TRANSMISSION MOUNTING	1011-39-340A	1		
39 380		MEMBER, TRANSMISSION MOUNTING	1480-39-380A	1	M/T	
			1481-39-380B	1	A/T	
39 382		STUD	1013-39-382A	2	'81 & '82 MODELS	FB331 ..500001-626754
			F001-39-372	2	'82 & '83 MODELS	FB331 ..626755-
39 383		WASHER	0884-39-383A	2	M/T	
39 384		INSULATOR, LOWER	0884-39-384	2	'81 & '82 MODELS	FB331 ..500001-626754
			8599-39-384A	2	'82 & '83 MODELS	FB331 ..626755-
39 385		INSULATOR, UPPER	0884-39-385A	2	'81 & '82 MODELS	FB331 ..500001-626754
			F001-39-375	2	'82 & '83 MODELS	FB331 ..626755-
39 386		WASHER	0884-39-386	2	'82 & '83 MODELS M/T	FB331 ..626755-

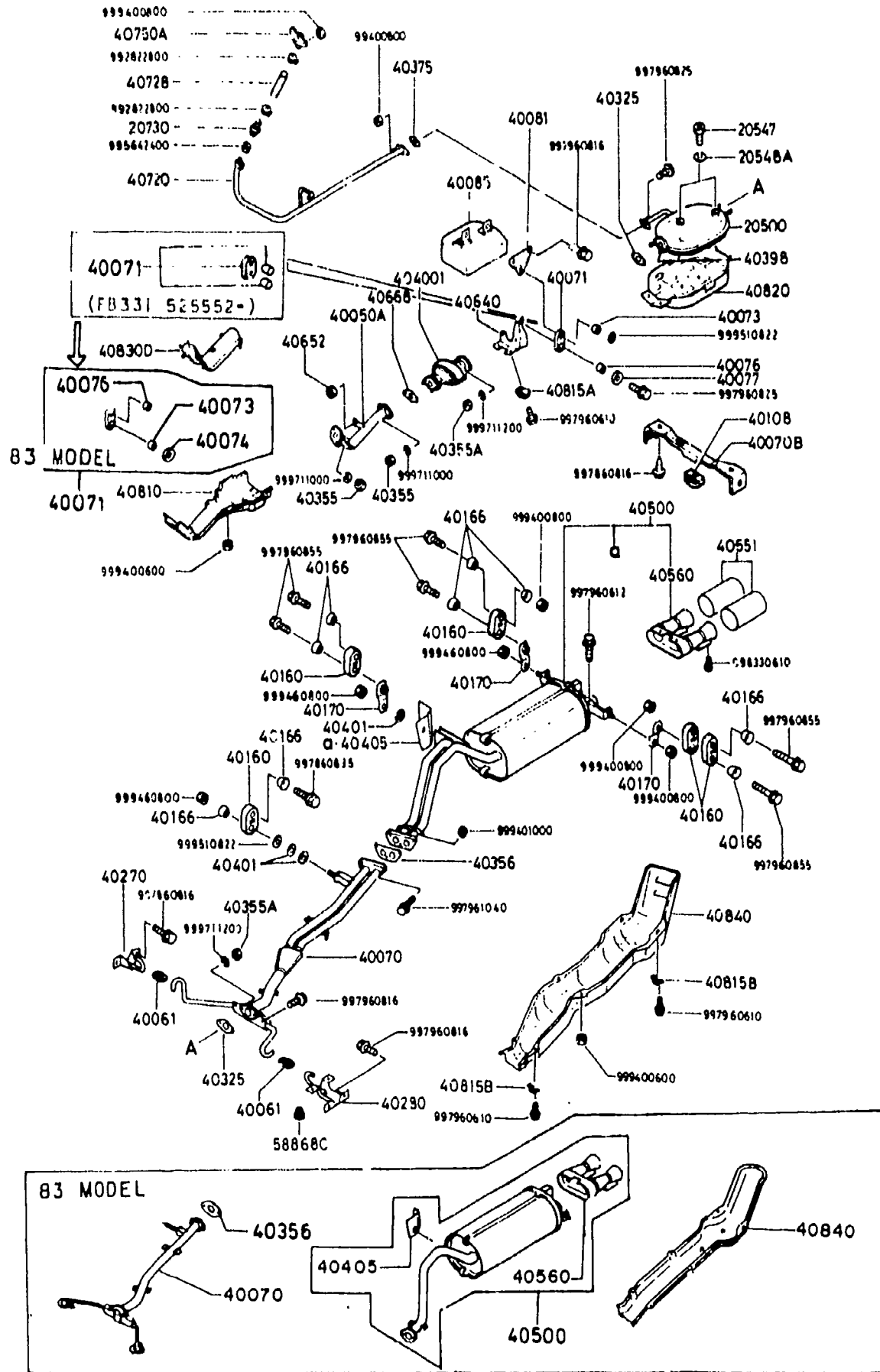
# 4000A-1 EXHAUST SYSTEM



All sound modifying devices listed herein are certified to comply with the California Noise Regulation and Florida Noise Regulation when installed on Vehicles.

ITEM NO.	D-CODE	DESCRIPTION	PART NO.	QTY	MODEL/DESCRIPTION	REMARKS
20 500		CONVERTER, CATALYTIC	N231-40-300	1	'81 & '82 MODELS	
				1	'83 MODEL	
20 547		PLUG	1480-40-318A	2		
20 548A		WASHER, LOCK	8021-20-548	2		
20 730		VALVE, CHECK	N201-20-730	1	'81 & '82 MODELS	
40 050A		PIPE, EXHAUST-FRONT	N201-40-310A	1		
40 061		HANGER, SILENCER	1114-40-061	2		
40 070		PIPE	1480-40-200	1	'81 & '82 MODELS	
			N231-40-200	1	'83 MODEL	
40 070B		BRACKET	8871-40-010	1		
40 071		PLATE	1480-40-070	1	'81 & '82 MODELS	
			N225-40-070B	1	'83 MODEL	
40 073		SPACER	1480-40-073	1		
40 074		SPACER	N225-40-074	1	'83 MODEL	
40 076		SPACER	1480-40-076	1	'81 MODEL	FB331 ..500001-525551
			N225-40-076B	1	'83 MODEL	
40 077		WASHER, PLAIN	1480-40-077	1		
40 081		BRACKET	1480-40-080B	1		
40 085		INSULATOR	1480-40-085A	1		
40 108		RUBBER, STOP	1114-40-108B	1		
40 160		HANGER, SILENCER	1114-40-160	5		
40 166		WASHER	0820-40-166	9		
40 170		PLATE	8871-40-180	3		
40 270		HOOK	1480-40-270	1		
40 280		HOOK	1480-40-280A	1		
40 325		GASKET	1480-40-325	2		
40 355		NUT, FLANGE	8134-40-355	4		
40 355A		NUT	8118-40-355	4		
40 356		GASKET	1480-40-356	1	'81 & '82 MODELS	
			8182-40-356	1	'83 MODEL	
40 375		GASKET	1480-40-375	1		
40 398		STUD	N326-40-353	4		
40 4001		CONVERTER, MONOLITH	N201-40-400	1	'81 & '82 MODELS	
			N231-40-400	1	'83 MODEL	
40 401		INSULATOR	8871-40-401	3		
40 405		INSULATOR	8871-40-405A	1		
40 500		SILENCER, MAIN	1480-40-500	1	'81 & '82 MODELS	
			N231-40-500	1	'83 MODEL	
40 551		COVER	8871-40-551	2		
40 560		FUNNEL	8871-40-560	1		

4000A-2 EXHAUST SYSTEM

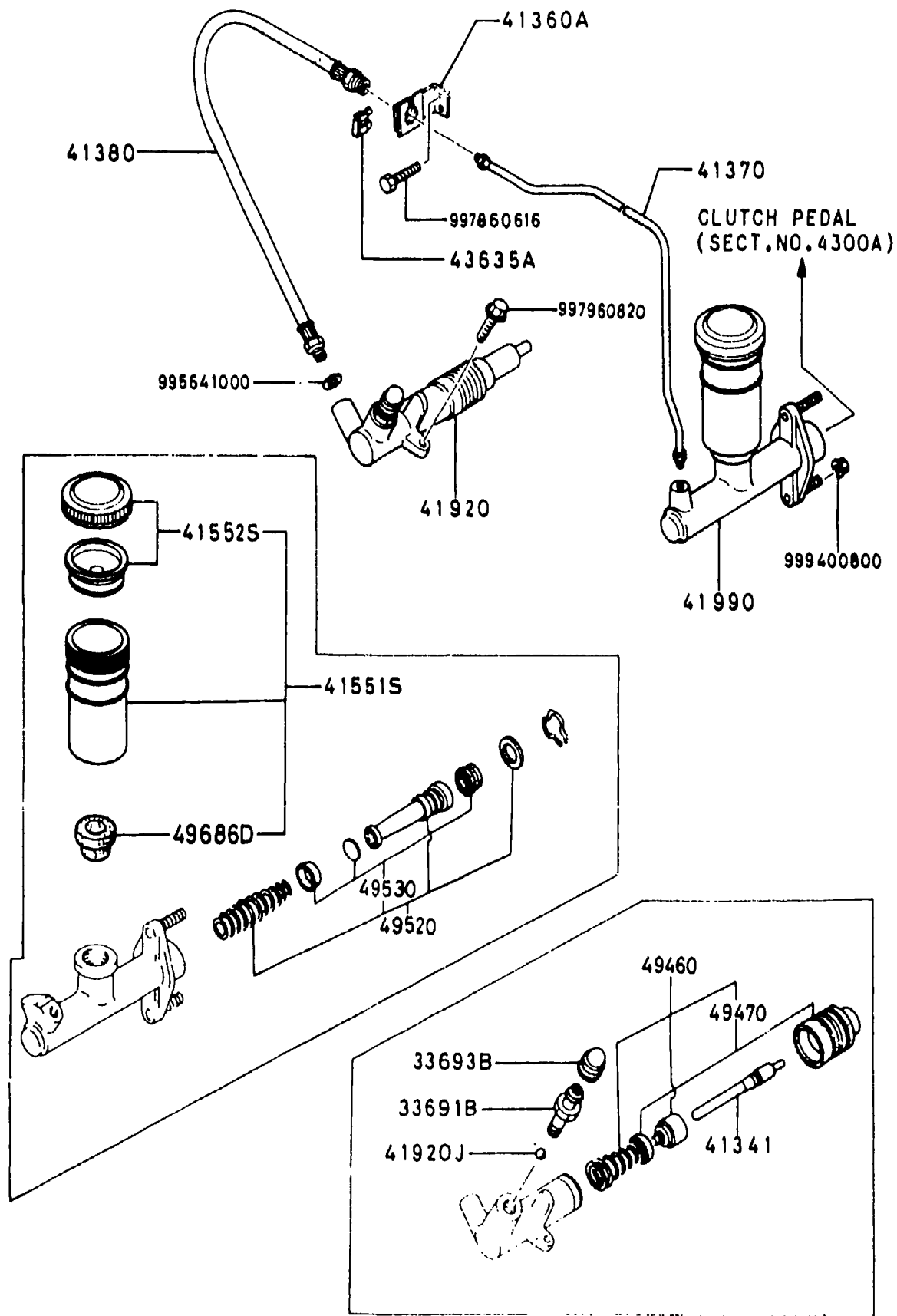


All sound modifying devices listed herein are certified to comply with the California Noise Regulation and Florida Noise Regulation when installed on Vehicles.

ITEM NO.	D-CODE	DESCRIPTION	PART NO.	QTY	MODEL/DESCRIPTION	REMARKS
	40 640	BRACKET	1480-40-640A	1		
	40 652	GUIDE	1480-40-652	1	'81 MODEL	
	40 668	GASKET	1480-13-621	1		
	40 720	PIPE, AIR	N201-40-740A	1		
	40 728	HOSE, AIR	1480-40-728	1		
	40 750A	PIPE, PRE-AIR	1480-40-750	1		
	40 810	PROTECTOR NO. 1	N201-40-811	1	'81 & '82 MODELS	
			N231-40-810	1	'83 MODEL	
	40 815A	WASHER	1480-40-815	2		
	40 815B	GUARD, PROTECTOR	8545-40-815	4		
	40 820	PROTECTOR NO. 2	1480-40-820	1		
	40 830D	PROTECTOR, UPPER	N201-40-830	1		
	40 840	PROTECTOR NO. 4	1480-40-841A	1	'81 & '82 MODELS	
			N229-40-841	1	'83 MODEL	
	58 868C	PLUG, SERVICE COVER	0559-58-868	1		
		REFER TO RECALL CAMPAIGN NOS. 23702/2370C FOR EMISSION CONTROL INFO.				

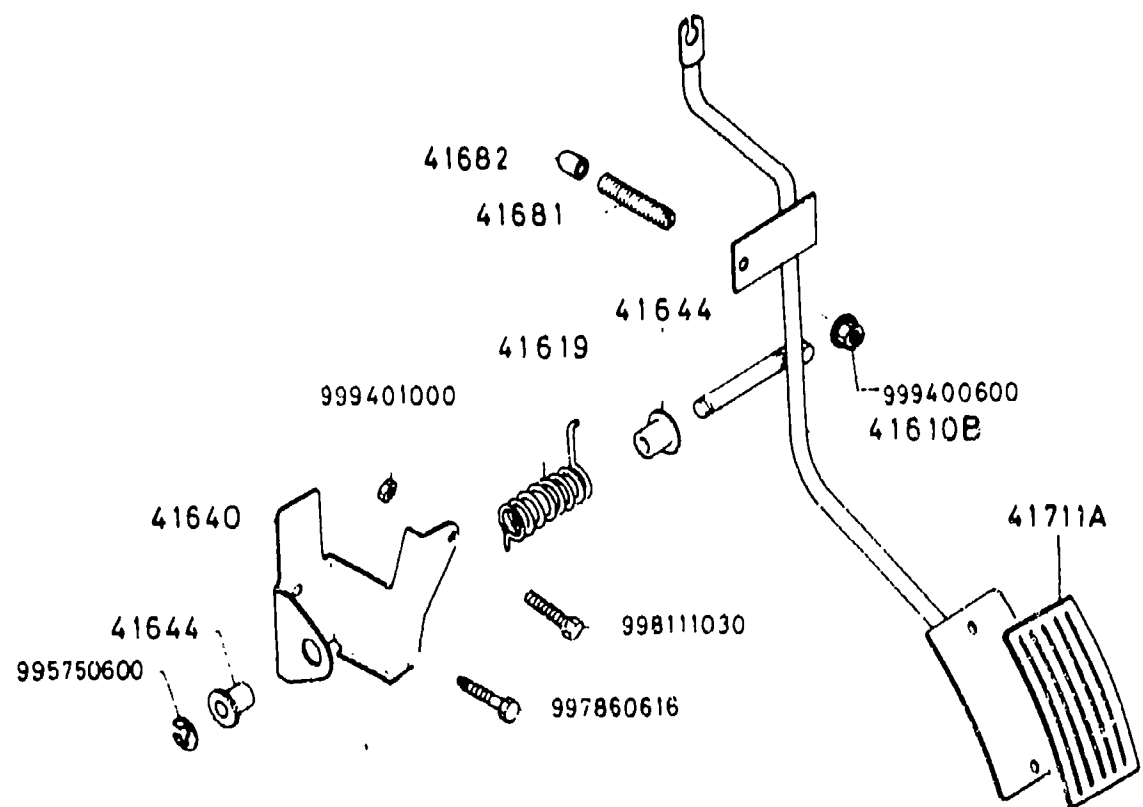
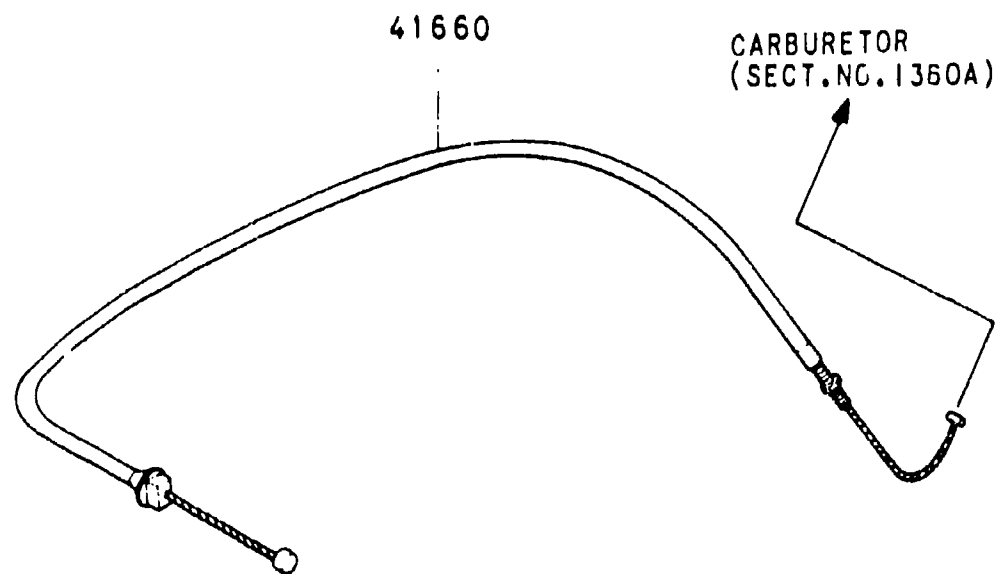


**4140A-1 CLUTCH RELEASE & MASTER CYLINDER**



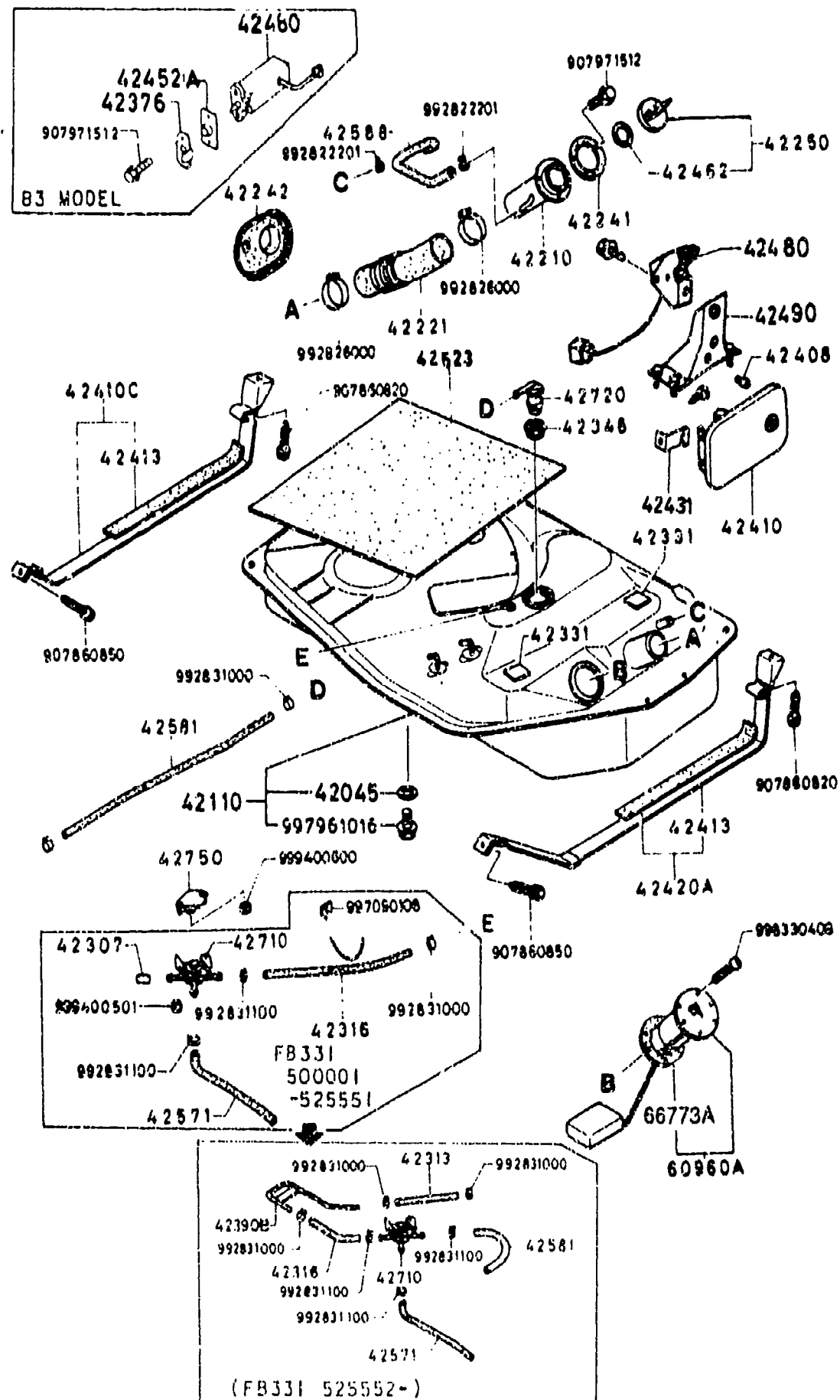
ITEM NO.	D-CODE	DESCRIPTION	PART NO.	QTY	MODEL/DESCRIPTION	REMARKS
	33 691B	SCREW, BLEEDER	0259-33-691	1		
	33 693B	CAP, BLEEDER	0259-33-693	1		
	41 341	ROD	H005-41-341	1		
	41 360A	HOLDER	8871-41-370	1		
	41 370	PIPE, CLUTCH	FA01-45-510	1		
	41 380	HOSE, FLEXIBLE	G011-41-380	1		
	41 551S	TANK SET, RESERVE	GA02-49-570	1		
			< A > GA02-49-570B	1		
	41 552S	CAP SET, RESERVE TANK	GA02-49-580B	1		
	41 920	CYLINDER, CLUTCH RELEASE	FA01-41-920	1	'81 & '82 MODELS	
			FA42-41-920A	1	'83 MODEL	
	41 920J	BALL, STEEL	9961-11-500	1		
	41 990	CYLINDER, CLUTCH MASTER	G011-41-400	1		
	43 635A	CLIP, FLEXIBLE HOSE	0136-43-635	1		
	49 460	PARTS KIT, INNER	H005-49-460	1		
	49 470	SEALING KIT	G011-49-470	1		
	49 520	PARTS KIT, INNER	GA02-49-520A	1		
	49 530	SEALING KIT	GA02-49-530	1		
	49 686D	BUSHING, ELBOW JOINT	0305-49-686B	1		

**4160A-1 ACCELERATOR CONTROLS**



ITEM NO.	D-CODE	DESCRIPTION	PART NO.	QTY	MODEL/DESCRIPTION	REMARKS
41610B		PEDAL & ARM	FA01-41-610	1		
41619		SPRING, RETURN	8239-41-619	1		
41640		RETAINER, ROD	3597-41-650A	1		
41644		BUSHING	0259-41-644	2		
41660		WIRE, ACCELERATOR	FA01-41-660	1	'81 & '82 MODELS	
			FA42-41-660A	1	'83 MODEL	
41681		STOPPER	0118-41-681	1		
41682		RUBBER, STOP	0118-41-682	1		
41711A		PAD, ACCELERATOR	8871-41-711B	1		

# 4200A-1 FUEL TANK



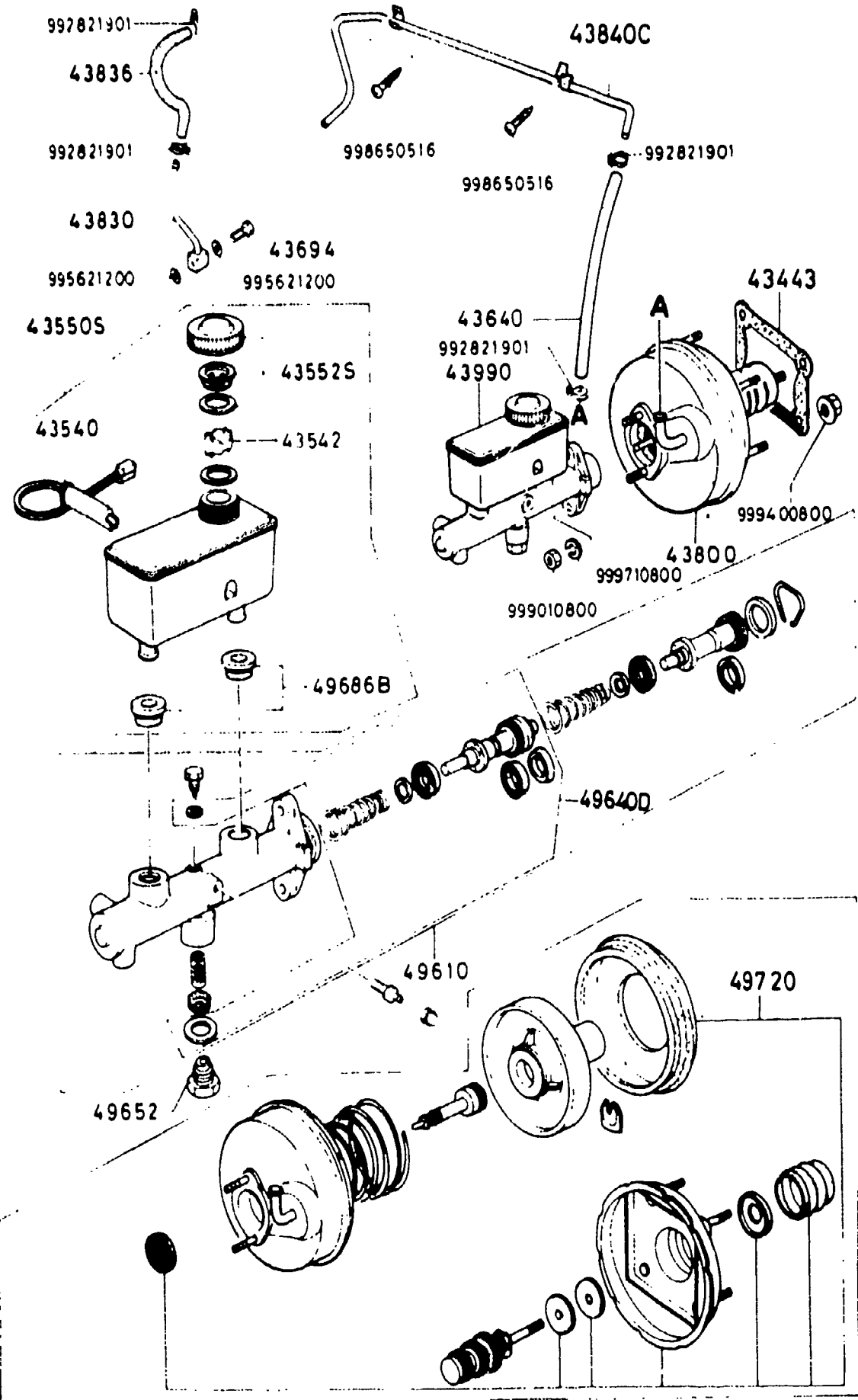
ITEM NO.	D-CODE	DESCRIPTION	PART NO.	QTY	MODEL/DESCRIPTION	REMARKS
42 045		GASKET, DRAIN PLUG	0866-42-046	1	'83 MODEL	
42 110		TANK, FUEL	FA01-42-110A	1	'81 MODEL	FB331 ..500001-525551
		REFER TO PARTS BULL. NO. T-2-4 FOR MORE INFO.				
		<C>	FA01-42-110B	1	'81 & '82 MODELS	FB331 ..525552-
			FA42-42-110	1	'83 MODEL	
42 210		PIPE, FILLER	8871-42-210C	1		
42 221		HOSE, FILLER	8344-42-241	1		
42 241		GASKET, FILLER PIPE	0866-42-366B	1		
42 242		RUBBER, SEAL	8871-42-242A	1		
42 250		CAP, FILLER	8871-42-250B	1		
42 307		CAP	0223-42-307	1	'81 MODEL	FB331 ..500001-525551
42 313		TUBE, VENT	9935-10-6999		BULK QTY.	
42 316		HOSE, VENT	9935-10-6999		BULK QTY.	
42 331		SHEET	8531-42-761	2		
42 348		GROMMET	3870-42-725	1	'81 MODEL	FB331 ..500001-525551
42 376		PLATE, LOCK	H043-42-451A	1	'83 MODEL	
42 390B		PIPE, BREATHER	8562-42-530	1		FB331 ..525552-
42 408		STOPPER, FILLER LID	UA64-42-459	2	'81 MODEL	FB331 ..500001-500062
			0187-70-491	2		FB331 ..500063-
42 410		LID, FUEL FILLER	8871-42-410A	1	'81 & '82 MODELS	
			FA54-42-410	1	'83 MODEL	
42 410C		BAND (R), TANK FIXTURE	8871-42-719B	1		
42 413		SHEET	8871-42-745	2		
42 420A		BAND (L), TANK FIXTURE	8871-42-720A	1		
42 431		SPRING LIFT, LID	FA01-42-431B	1		
42 452A		GROMMET	H043-42-452B	1	'83 MODEL	
42 462		GASKET, CAP	8871-42-365	1		
42 480		OPENER, FILLER LID	FA01-42-480	1	'81 & '82 MODELS	
			F023-42-470B	1	'83 MODEL	
42 490		BRACKET, OPENER	FA01-42-490	1	'81 & '82 MODELS	
42 523		PAD, FUEL TANK	8871-72-761	1		
42 571		HOSE, VENT	8871-42-571B	1		
42 581		HOSE, BREATHER	FA01-42-581	1	'81 MODEL	FB331 500001-525551
			F001-42-581A	1		FB331 525552-
42 588		HOSE, VENT	8344-42-245	1		
42 710		VALVE, CHECK	8341-42-910A	1		
42 720		VALVE, FUEL VAPORIZER	3870-42-720A	1	'81 MODEL	FB331 500001-525551
42 750		BRACKET, CHECK VALVE	8871-42-920	1		
60 960A		GAUGE, FUEL TANK	FA01-60-960A	1		
66 773A		GAUGE, GASKET	8871-50-962A	1		



# SECTION INDEX -- CHASSIS

STARTING LOCATION	SECT. NO.	SECTION NAME	STARTING LOCATION	SECT. NO.	SECTION NAME	STARTING LOCATION	SECT. NO.	SECTION NAME
1 - C 8	2500A	PROPELLER SHAFT ( '81 & '82 MODELS)						
1 - D 8	2500AA	PROPELLER SHAFT ( '83 MODEL)						
1 - E 8	2600A	REAR AXLE						
1 - F 8	2610A	REAR BRAKES (DRUM BRAKE) (S & GS)						
1 - G 8	2610AA	REAR BRAKES (DISC BRAKE) (GSL)						
1 - H 8	2700A	DIFFERENTIAL						
1 - J 8	2800A	REAR SUSPENSION						
1 - K 8	2810A	STABILIZER						
1 - L 8	3200A	STEERING WHEEL						
1 - M 8	3210A	STEERING GEAR & COLUMN						
1 - N 8	3230A	STEERING LINKAGE						
1 - C 9	3300A	FRONT AXLE & BRAKES						
1 - D 9	3400A	FRONT SUSPENSION						
1 - E 9	3410A	CROSS MEMBER & STABILIZER						
1 - F 9	3700A	TIRE & JACK						
1 - H 9	3900A	ENGINE & TRANSMISSION MOUNTINGS						
1 - I 9	4000A	EXHAUST SYSTEM						
1 - K 9	4140A	CLUTCH RELEASE & MASTER CYLINDER						
1 - L 9	4160A	ACCELERATOR CONTROLS						
1 - M 9	4200A	FUEL TANK						
1 - N 9	4300A	CLUTCH & BRAKE						
1 - C 10	4340A	TANDEM MASTER CYLINDER & VACUUM POWER ASSIST SYSTEM						
1 - D 10	4360A	BRAKE PIPINGS (REAR DRUM BRAKE) (S, GS)						
1 - E 10	4360AA	BRAKE PIPINGS (REAR DISC BRAKE) (GSL)						
1 - F 10	4400A	PARKING BRAKE SYSTEM						
1 - G 10	4500A	FUEL PIPINGS						
1 - H 10	4600A	CHANGE CONTROLS (AUTOMATIC)						

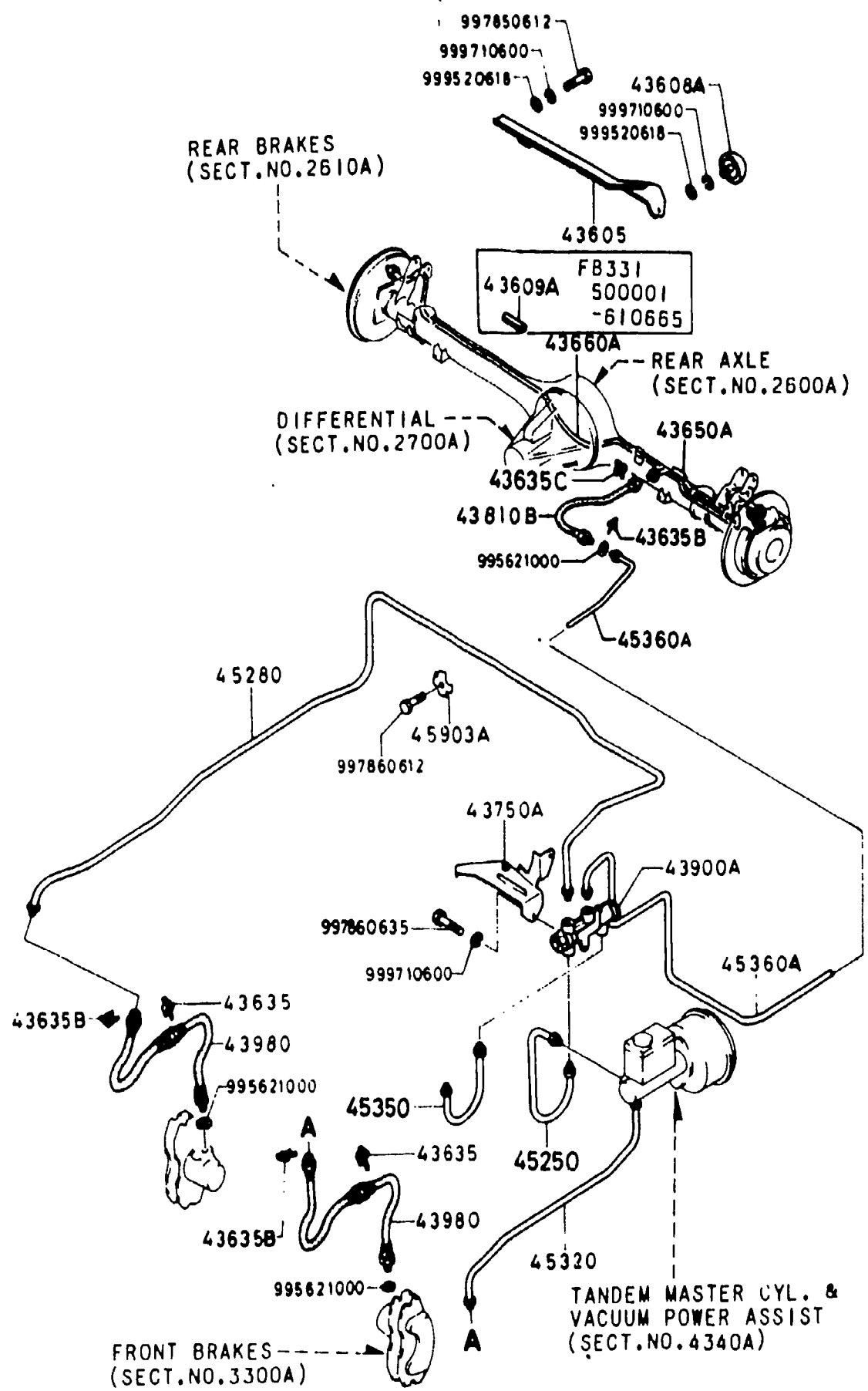
**4340A-1 TANDEM MASTER CYLINDER & VACUUM POWER ASSIST SYSTEM**



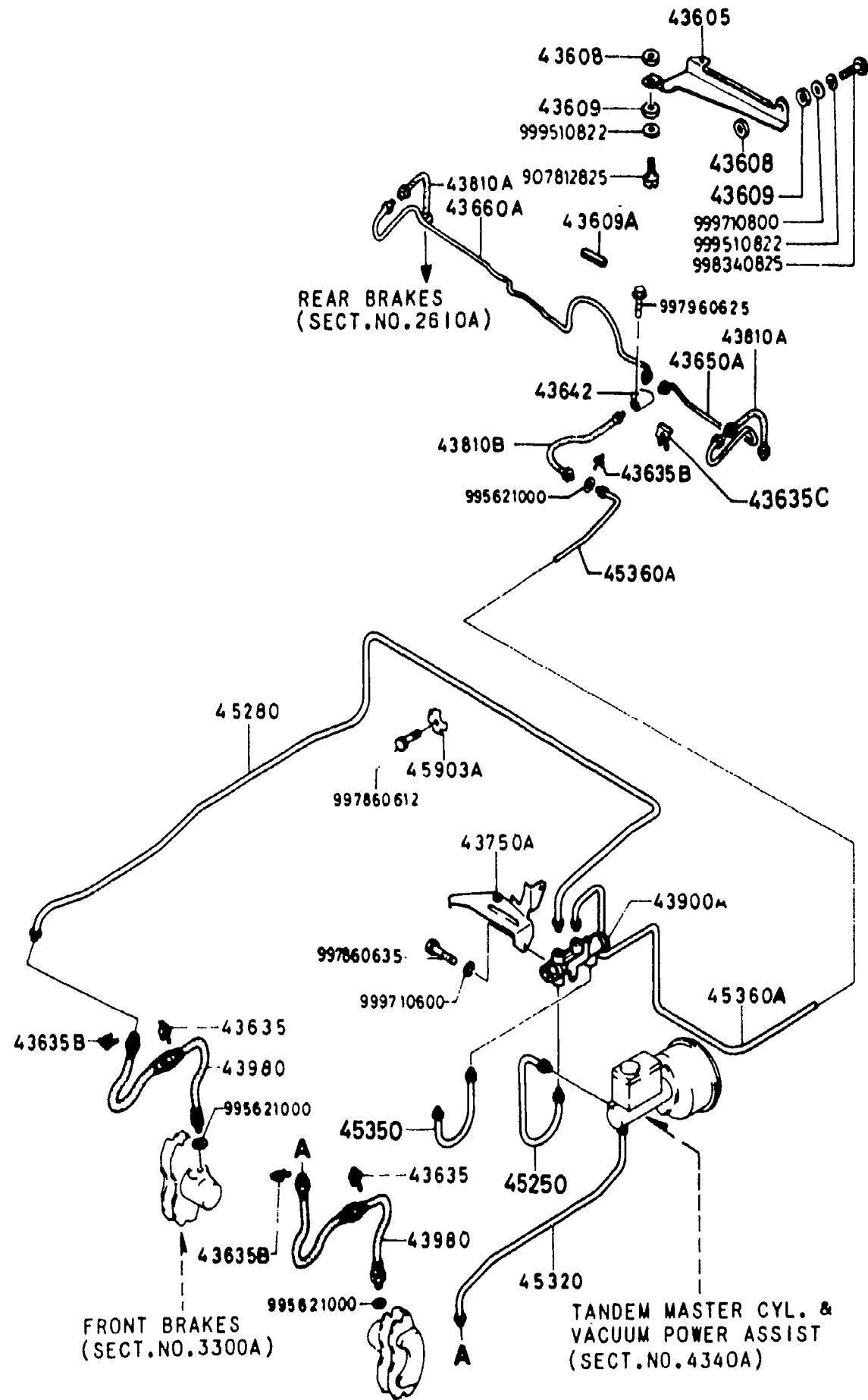
ITEM NO.	D-CODE	DESCRIPTION	PART NO.	QTY	MODEL/DESCRIPTION	REMARKS
	43 443	GASKET	H001-43-443	1	(USE W/ MASTER VACUUM)	FB331 .642150-
	43 540	INDICATOR, LEVEL	3597-43-540	1		
	43 542	FLOAT	8531-43-542	1		
	43 550S	TANK SET, RESERVE	FA07-49-680	1		
	43 552S	CAP SET, RESERVE TANK	B093-49-580	1		
	43 640	HOSE, VACUUM	G001-43-640	1		
	43 694	BOLT, CONNECTOR	8573-43-694	1		
	43 800	VACUUM POWER ASSIST	FA16-43-800	1		
	43 830	PIPE, VACUUM	1480-43-830A	1		
	43 836	HOSE, VACUUM	8871-43-836	1		
	43 840C	PIPE, VACUUM	FA01-43-840	1		
	43 990	CYLINDER, TANDEM MASTER	FA07-43-400	1	S & GS MODELS	
			FA18-43-400	1	GSL MODEL	
	49 610	PARTS SET, BRAKE CYLINDER	G001-49-610	1	S & GS MODELS	
			FA18-49-610	1	GSL MODEL	
	49 640D	PARTS KIT, INNER	G001-49-640	1	S & GS MODELS	
			FA18-49-640	1	GSI MODEL	
	49 652	BOLT, JOINT	G001-49-652	1	S & GS MODELS	
	49 686B	BUSHING, ELBOW JOINT	0305-49-686B	2		
	49 720	REPAIR KIT	F001-49-720	1		

**4360A-1 BRAKE PIPINGS (REAR DRUM BRAKE)  
(S, GS)**

ITEM NO.	D-CODE	DESCRIPTION	PART NO.	QTY	MODEL/DESCRIPTION	REMARKS
	43 605	PROTECTOR, BRAKE PIPE	8871-43-785A	1		
	43 608A	SCREW, RUBBER	8871-43-608	1		
	43 609A	PROTECTOR, BRAKE PIPE	8595-43-609	7	'81 & '82 MODELS	FB331 ..500001-610655
	43 635	CLIP, FLEXIBLE HOSE	8001-43-635	2		
	43 635B	CLIP, FLEXIBLE HOSE	0136-43-635	3		
	43 635C	CLIP, HOSE	8001-43-635	2		
	43 650A	PIPE (L), BRAKE-REAR	FA07-43-650	1		
	43 660A	PIPE (R), BRAKE-REAR	FA07-43-660	1		
	43 750A	HOLDER, BRAKE PIPE VALVE	FA07-43-750	1		
	43 810B	HOSE NO. 1, FLEXIBLE	FA07-43-820	1		
	43 900A	VALVE, BRAKE PIPE	FA07-43-900	1		
	43 980	HOSE, FLEXIBLE	GA02-43-980	2		
	45 250	PIPE, BRAKE-FRONT	FA07-43-360	1		
	45 280	PIPE (R), BRAKE-FRONT	FA01-45-280	1	'81 & '82 MODELS	
			FA42-45-280	1	'83 MODEL	
	45 320	PIPE (L), BRAKE-FRONT	FA01-45-320	1		
	45 350	PIPE, BRAKE-REAR	FA07-43-370	1		
	45 360A	PIPE, BRAKE-REAR	FA54-45-360	1		
	45 903A	CLIP	8173-45-903	2		



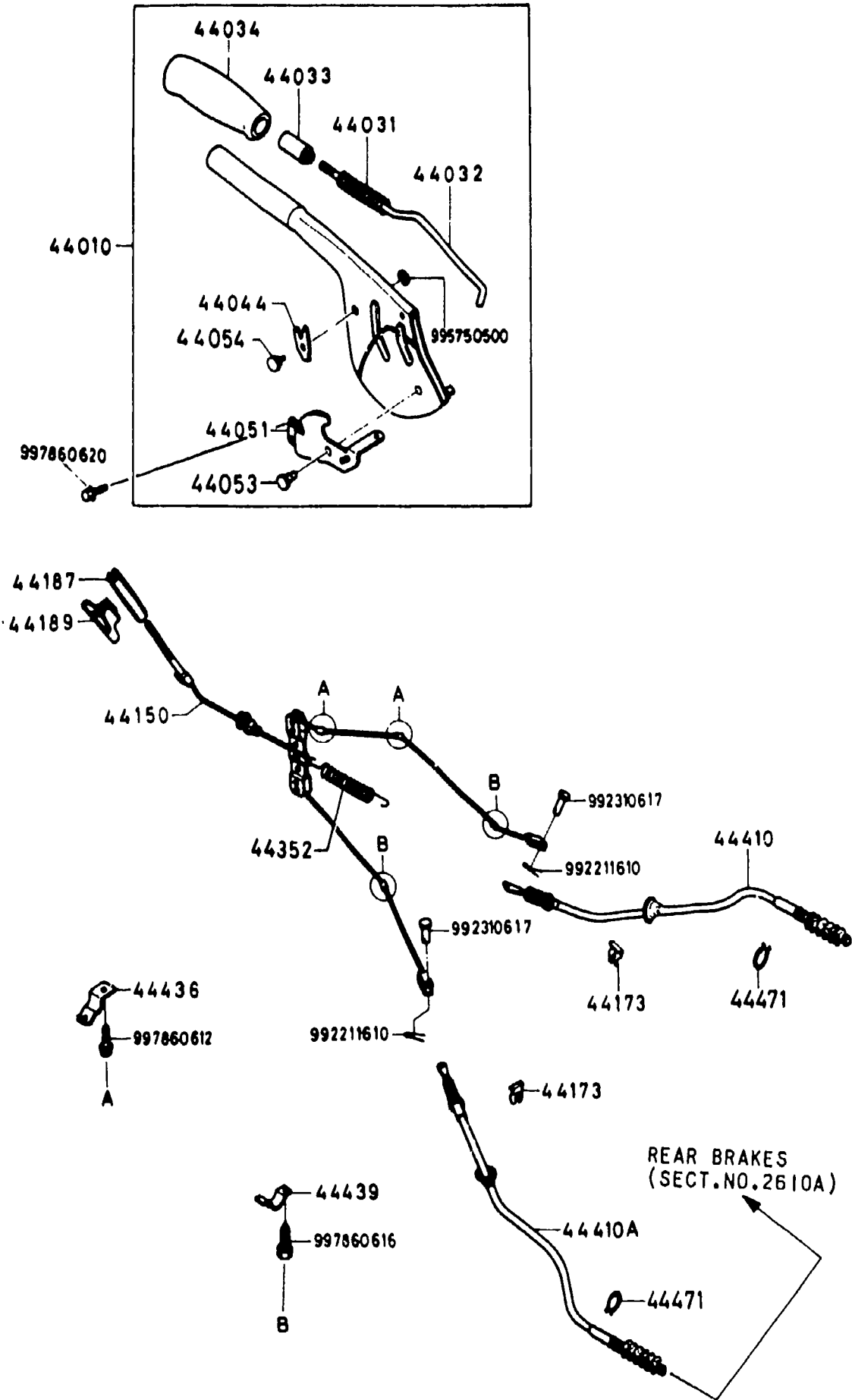
**4360AA-1 BRAKE PIPINGS (REAR DISC BRAKE)  
(GSL)**



ITEM NO.	D-CODE	DESCRIPTION	PART NO.	QTY	MODEL/DESCRIPTION	REMARKS
	43 605	PROTECTOR, BRAKE PIPE	FA18-43-605A	1		
	43 608	SPACER	1114-43-608B	3		
	43 609	RUBBER, CUSHION	1114-43-609A	3		
	43 609A	PROTECTOR, BRAKE PIPE	8595-43-609	6	'81 & '82 MODELS	FB331 ..500001-610655
	43 635	CLIP, FLEXIBLE HOSE	0305-43-635	2		
	43 635B	CLIP, FLEXIBLE HOSE	0136-43-635	3		
	43 635C	CLIP, HOSE	0305-43-635	2		
	43 642	JOINT	FA18-43-642A	1		
	43 650A	PIPE (L), BRAKE-REAR	FA18-43-650	1		
	43 660A	PIPE (R), BRAKE-REAR	FA18-43-660	1		
	43 750A	HOLDER, BRAKE PIPE VALVE	FA07-43-750	1		
	43 810A	HOSE NO. 1, FLEXIBLE	FA18-43-810	2		
	43 810B	HOSE NO 1, FLEXIBLE	FA18-43-820A	1		
	43 900A	VALVE, BRAKE PIPE	FA07-43-900	1	'81 & '82 MODELS	
			FA48-43-900	1	'83 MODEL	
	43 980	HOSE, FLEXIBLE	GA02-43-980	2		
	45 250	PIPE, BRAKE-FRONT	FA07-43-360	1		
	45 280	PIPE (R), BRAKE-FRONT	FA01-45-280	1	'81 & '82 MODELS	
			FA42-45-280	1	'83 MODEL	
	45 320	PIPE (L), BRAKE-FRONT	FA01-45-320	1		
	45 350	PIPE, BRAKE-REAR	FA07-43-370	1		
	45 360A	PIPE, BRAKE-REAR	FA54-45-360	1		
	45 903A	CLIP	8173-45-903	2		



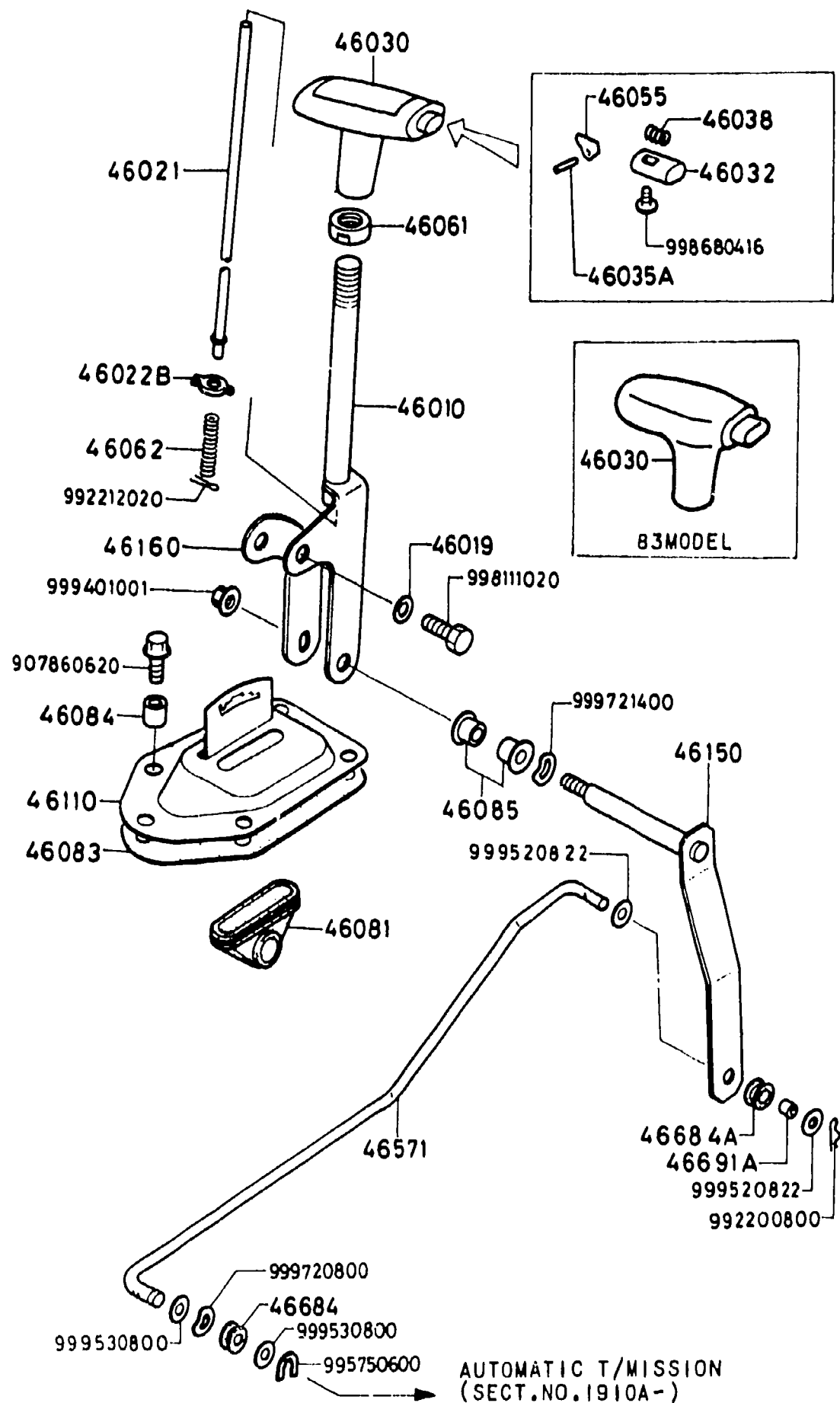
# 4400A-1 PARKING BRAKE SYSTEM



ITEM NO.	D-CODE	DESCRIPTION	PART NO.	QTY	MODEL/DESCRIPTION	REMARKS
44 010		LEVER, PARKING BRAKE	FA01-44-010B	1		
		BLACK	00			
44 031		SPRING	FA54-44-031	1		
44 032		ROD, RELEASE	FA01-44-032	1		
44 033		BUTTON, RELEASE	0221-44-033	1		
		BLACK	00			
44 034		CAP	FA01-44-034A	1		
		BLACK	00			
44 044		RATCHET	1243-44-044A	1		
44 051		SECTOR	FA01-44-051	1		
44 053		BOLT, HAND BRAKE LEVER	B001-44-053	1		
44 054		PIN	B001-44-054	1		
44 150		CABLE, FRONT PARKING BRAKE	1480-44-150A	1		
44 173		CLIP	0118-44-375	2		
44 187		SCREW	0866-44-187A	1		
44 189		CLIP	0866-44-189	1		
44 352		SPRING, RETURN	0613-41-308	1		
44 410		CABLE (R), REAR PARKING BRAKE	FA16-44-410B	1	4-WHL DISK GSL MODEL	
			FA54-44-410A	1	S & GS MODELS	
44 410A		CABLE (L), REAR PARKING BRAKE	FA16-44-420A	1	GSL MODEL	
			FA54-44-420A	1	S & GS MODELS	
44 436		CLIP	8871-44-439	2		
44 439		CLIP, CABLE	1011-44-439	2		
44 471		CLIP	0305-44-471	2	S & GS MODELS	



**4600A-1 CHANGE CONTROLS (AUTOMATIC)**



ITEM NO.	D-CODE	DESCRIPTION	PART NO.	QTY	MODEL/DESCRIPTION	REMARKS
46 010		LEVER, SELECT	1481-46-010	1		
46 019		WASHER, PLAIN	1481-46-019	1		
46 021		ROD	8872-46-021A	1	'81 & '82 MODELS	
			F025-46-021	1	'83 MODEL	
46 022B		PIN, GUIDE	8174-46-022	1		
46 030		KNOB, CHANGE LEVER	8872-46-030C	1	'81 & '82 MODEL	
		BLACK	00			
		BLACK	HA19-46-030A	1	'83 MODEL	
46 032		BUTTON, PUSH	8872-46-032	1	'81 & '82 MODELS	
46 035A		PIN	1244-46-035	1	'81 & '82 MODELS	
46 038		SPRING	1244-46-038	1	'81 & '82 MODELS	
46 055		LEVER	1244-46-055	1	'81 & '82 MODELS	
46 061		NUT	8202-46-061A	1		
46 062		SPRING	2375-46-062	1		
46 081		BOOT	1481-46-081A	1		
46 083		RUBBER, SEAL	FA03-46-083	1		
46 084		SPACER	1481-46-084A	5		
46 085		BUSHING	1015-46-085	2		
46 110		BRACKET, LEVER	FA03-46-110	1		
46 150		LEVER	1481-46-150A	1		
46 160		LEVER, ADJUST	1481-46-160	1		
46 571		ROD	FA03-46-571	1		
46 684		BUSHING	1015-46-684A	1		
46 684A		BUSHING, COUNTER LEVER	1481-46-684	1		
46 691A		BUSHING, JOINT	8872-46-685	1		